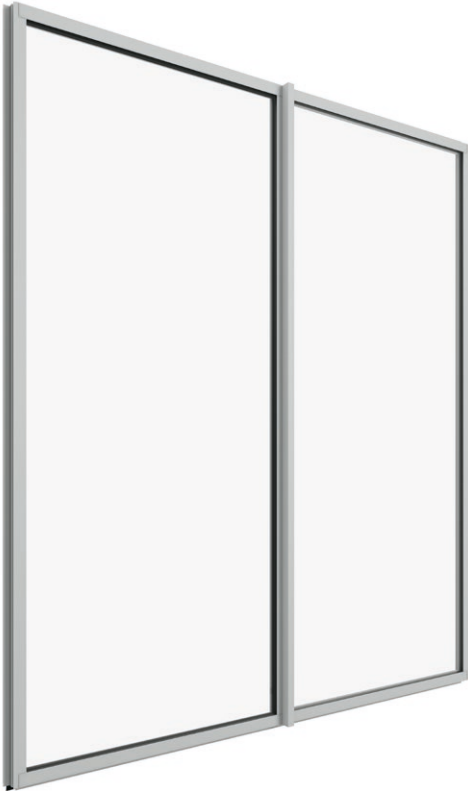
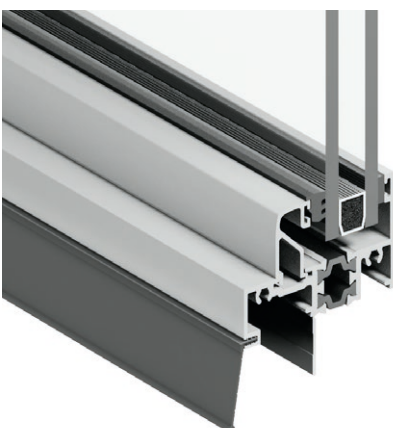


THERMARES FIXED WINDOWS



The ThermaRes fixed window features a slim profile frame to maximise natural light and views. Available in a range of configurations, it couples seamlessly with other ThermaRes windows to achieve any design vision.

- Slimline frame creates a minimalist style with larger glass viewing area for maximum natural light and views.
- Available in a variety of configurations and coupling options for innovative designs and design flexibility.
- Flexible internal and external finishing options for all styles and tastes.
- Compatible with different construction methods and materials.
- Double-glazing with thermally broken technology prevents heat transfer between inside and outside, reduces energy bills and offers year-round comfort.
- Externally glazed to make it easier to glaze larger panels on-site and reduce manual handling.
- Up to 3sqm of glass in a single lite.
- A range of glazing options to improve comfort, serenity, security and privacy.



Thermally broken and energy efficient frames

The thermally broken frames prevent heat transfer, improve energy efficiency, and offer low maintenance and durability.

Specifications

Product	Fixed Window
Product series	ThermaRes
Frame profile	57mm x 35mm
Sill options	N/A
Max frame	Single lite 3 sqm
Max sash	N/A
Sash profile	N/A
Glazing	20mm Double glazing only
BAL rating	BAL40
Seal type	N/A
Colour options	Ultra Black, Pearl White, Surfmist and Monument
Screen options	N/A
Hardware	N/A
Installation options	By builder
Warranty	10-year warranty

For full range of configurations and standard sizes refer to the standard size and range charts.

Performance

Acoustic performance	
Performance criteria	Glass type
RW32	Double glazing - 4/12Ar/4
RW34	Double glazing - 6/8Ar/6
RW36	Double glazing - 4/10Ar/6.38 Lam
RW36	Double glazing - 6/6Ar/10.38 Lam
RW38	Double glazing - 4/10Ar/6.5 Vlam Hush
Wind and water performance	
Performance criteria	Rating
SLS	1200Pa
ULS	3000Pa
Water	450Pa
N rating	N4 Corner/N5
Thermal performance	
Performance criteria	Rating
Double glazed Uw range	1.4 – 2.7
Double glazed SHGC range	0.22 – 0.69



Flexibility to achieve your vision

Ability to couple with other fixed and awning windows for design flexibility.