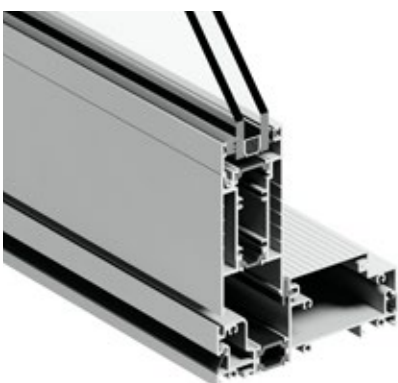


THERMAARC HINGED DOORS



The ThermaArc thermally broken hinged doors are designed with functionality in mind, available in a variety of opening styles and configurations to suit your specific architectural aesthetic.

- Robust modern frame help achieve bigger doors and better acoustics.
- Available in single and double (French door) configurations.
- Open in, open out, side lite, high lite options for design flexibility.
- Double doors built with a mushroom stop that closes the clearance gap to create weather seal between panels.
- Lever handle with multi-point locking as standard for enhanced security.
- Durable stainless-steel lift off hinges allow the door to be adjusted vertically for ease of installation.
- Compatible with different construction methods and materials.
- Thermally broken aluminium construction for durability, flexibility, and energy performance.
- Flexible internal and external finishing options for all styles and tastes.
- Double glazing prevents heat transfer between inside and outside and promotes high-performance energy efficiency.
- A range of glazing options to improve comfort, serenity, security and privacy.



Thermally broken and energy efficient frames

The thermally broken frames provide optimum energy performance, reduce energy costs, and improve comfort.

Specifications

Product	Hinged Doors
Product series	ThermaArc
Frame profile	134mm x 35mm
Sill options	Open in or open out
Max frame	3000mm high
Max panel	2620mm high x 1120mm wide
Sash profile	Stiles – 90mm, rails – 100mm
Glazing	24mm Double glazing only
BAL rating	BAL40
Seal type	Vinyl wrapped foam seal
Colour options	Ultra Black, Pearl White, Surfmist and Monument
Screen options	Flyscreen and barrier screens
Hardware options	Hinged door handle – Brushed Nickel Hinges – Brushed stainless steel
Installation options	By builder
Warranty	10-year warranty

For full range of configurations and standard sizes refer to the standard size and range charts.

Performance

Acoustic Performance	
Performance criteria	Glass Type
RW31	Double glazing – 4/16Ar/4
RW35	Double glazing – 6.5 Vlam Hush/14Ar/4
RW35	Double glazing – 6.38 Lam/14Ar/4
RW34	Double glazing – 10.38 Lam/8Ar/6
RW32	Double glazing – 12.5 Vlam Hush/8Ar/4
Wind and water performance	
Performance criteria	Rating
SLS	1200Pa
ULS	3000Pa
Water	200Pa
N rating	N4 corner
Thermal performance	
Performance criteria	Rating
Double glazed Uw range	2.0 – 3.1
Double glazed SHGC range	0.17 – 0.52



Lift off hinge

Durable stainless-steel lift off hinges allow the door to be adjusted vertically for ease of installation.

THERMAARC HINGED DOORS

Hardware



Hinged door handle (inside)



Hinged door handle (outside)

Screens



Aluminium screen fixed externally

THERMAARC HINGED DOORS

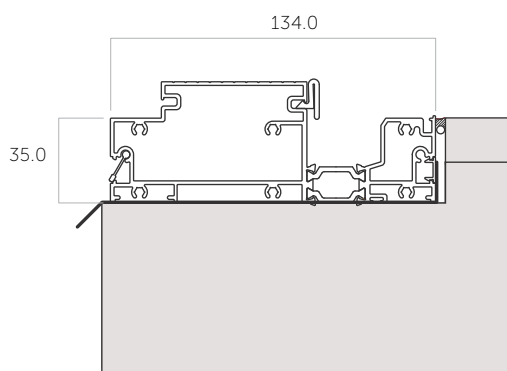
Sill building in details

Hinge door open in sill

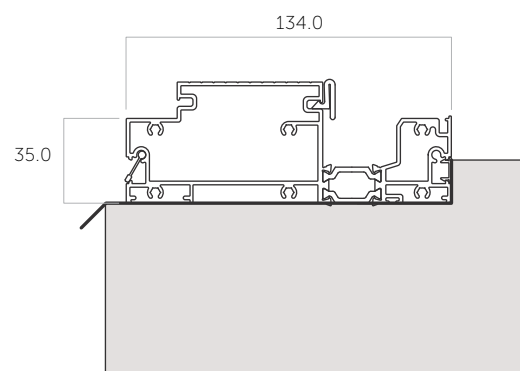


Flush threshold shown above.

Flush threshold



Standard threshold



Concrete cutout is the responsibility of the builder.

THERMAARC HINGED DOORS

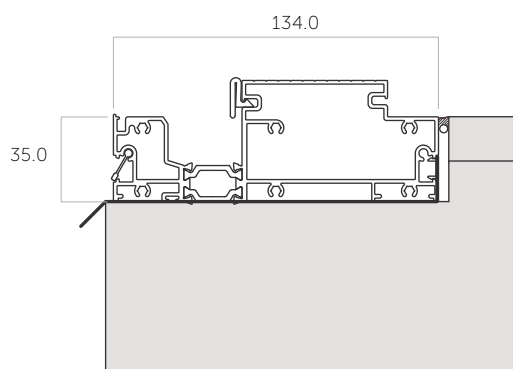
Sill building in details

Hinge door open out sill

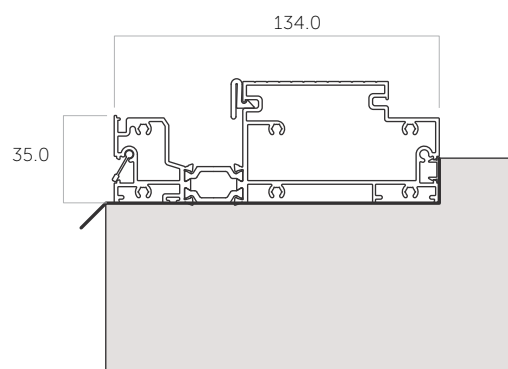


Flush threshold shown above.

Flush threshold



Standard threshold



Concrete cutout is the responsibility of the builder.