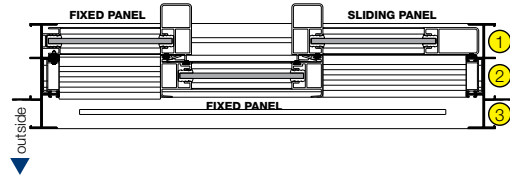


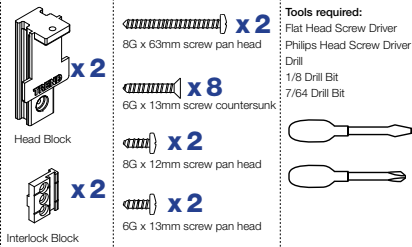
Instructions

Trend® 3 Panel (FFX or XFF) Installation

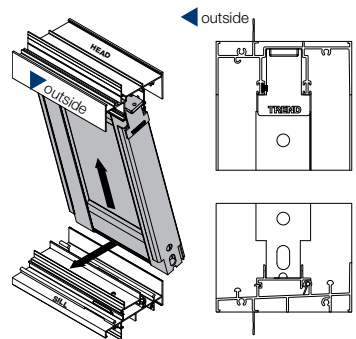
A Final Layout of Panels for Fixed-Fixed-Slide Door. Panel are to be reversed for Slide-Fixed-Fixed Door.



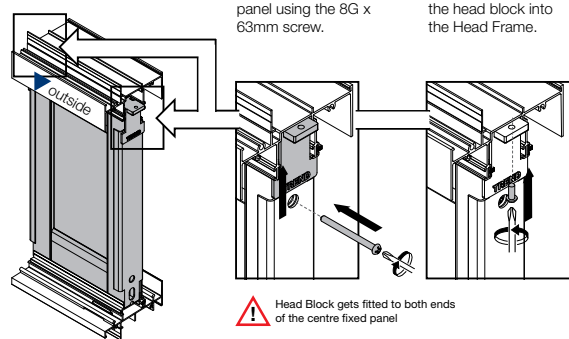
B Tools and Components



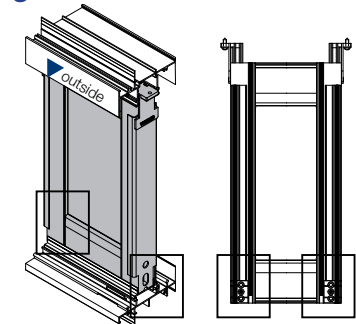
1 Lift Fixed Panel into the middle channel (2) of the Head Frame Minimum of 2 people are required to lift panels.



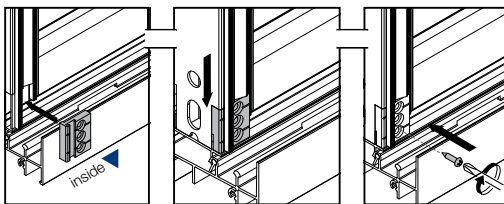
2 Align Fixed Panel into the fixed panel track.



3 Position interlock block as shown



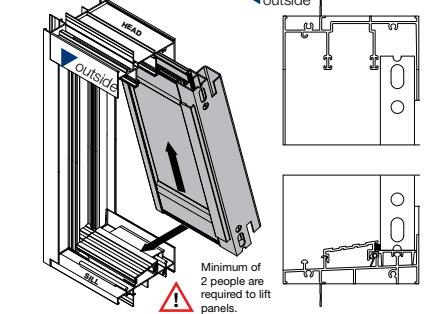
Interlock block must align with the mohair slot. Position block to feed mohair through the slot on the block.



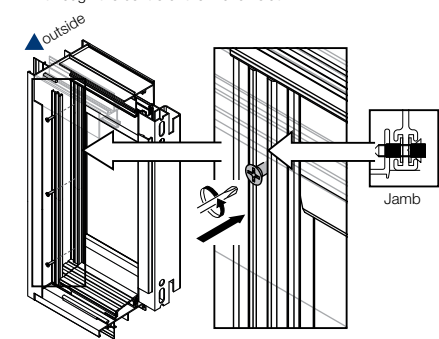
Interlock Block gets fitted to both ends of the centre fixed panel

Fix Interlock Block with 6G x 13mm screw through the bottom hole of the block

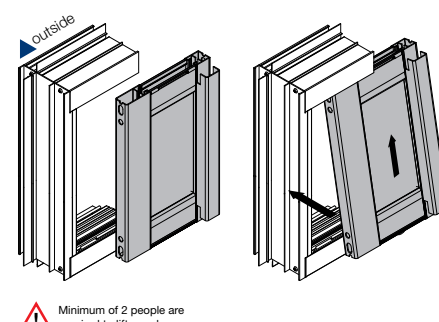
4 Lift Fixed Panel into the inside channel (1) of the Head Frame



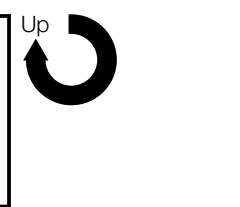
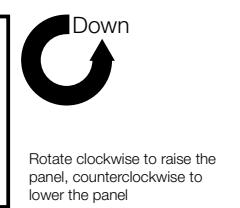
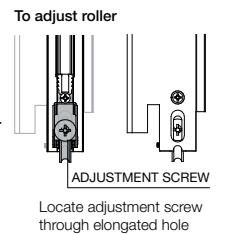
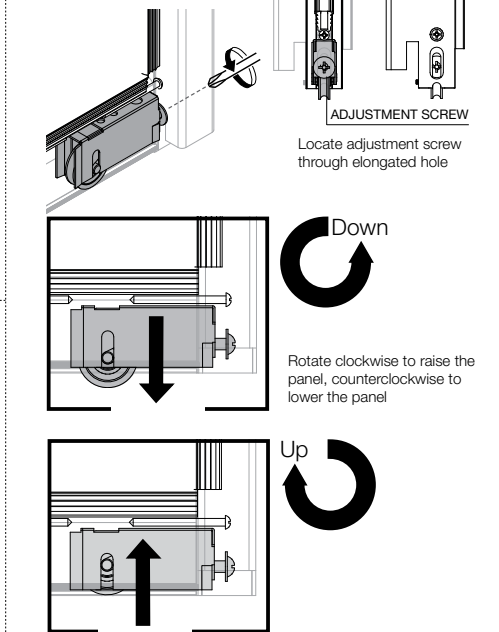
5 Secure Fixed Panel to the Frame. Pre drill and fix using 6G x 13mm x 3 countersunk screws through the centre of the mohair slot.



6 Position Sliding Panel so that it is in the open position. Lift Sliding Panel into the inside channel (1) of the Head Frame.



6 Before installing the Sliding Panel, Adjust the rollers both sides to lower the panel



Test Sliding Panel and adjust the rollers for ease of sliding.

Please note that drawings are not to scale

Instructions | Trend® 3 Panel (FFX or XFF) Installation | Mk-1 | 25 Feb 2010

Confidentiality Notice: This document and the information it contains are copyright and confidential to Trend® Windows & Doors Pty Limited. Disclosure, use and copying in any form whatsoever, except as authorised by Trend® Windows & Doors in writing, are strictly prohibited. Patents and Design Registrations pending.