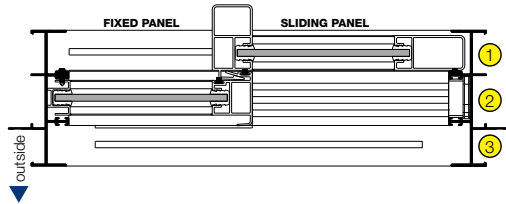


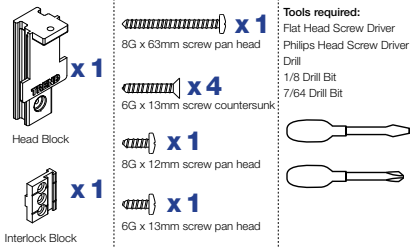
# Instructions

## Trend® 2 Panel (FX or XF) Installation

**A** Final Layout of Panels for Fixed-Slide Door. Panel are to be reversed for Slide-Fixed Door.

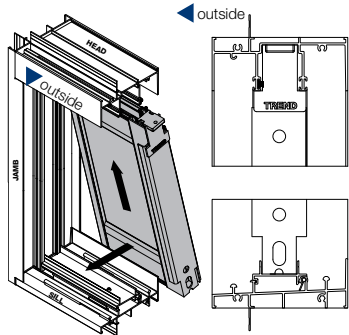


**B** Tools and Components



**1** Lift Fixed Panel into the middle channel (2) of the Head Frame

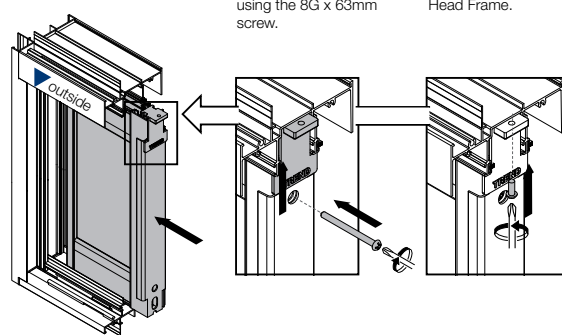
**!** Minimum of 2 people are required to lift panels.



**2** Push Fixed Panel into the jamb ensuring that it is all the way in.

Lift Head Block to touch the Head Frame. Fix into panel using the 8G x 63mm screw.

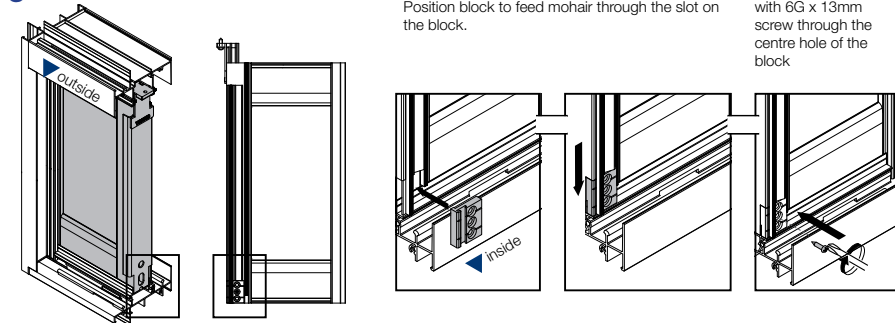
Use the 8G x 12mm screw to fix to the head block into the Head Frame.



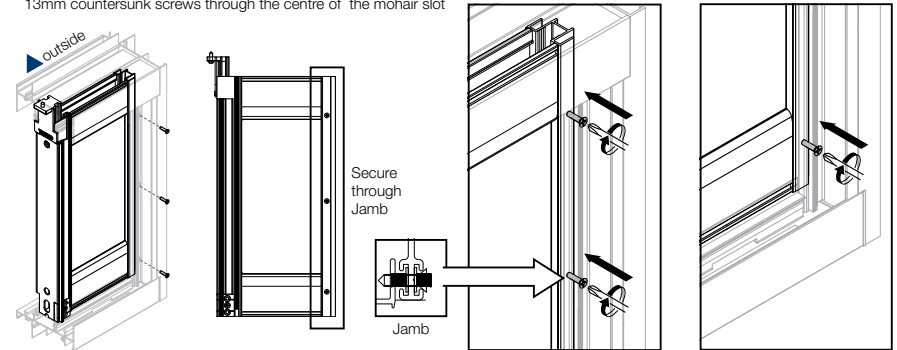
**3** Position interlock block as shown

Interlock block must align with the mohair slot. Position block to feed mohair through the slot on the block.

Fix Interlock Block with 6G x 13mm screw through the centre hole of the block



**4** Secure Fixed Panel to the Frame. Pre drill and fix using 6G x 13mm countersunk screws through the centre of the mohair slot

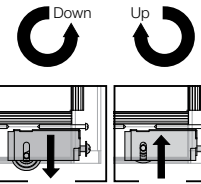


**5** Before installing the Sliding Panel, Adjust the rollers both sides to lower the panel

To adjust roller

Locate adjustment screw through elongated hole

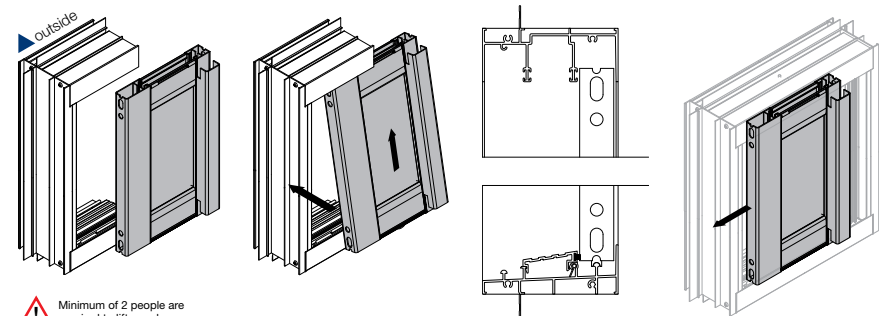
Rotate clockwise to raise the panel, counterclockwise to lower the panel



**6** Position Sliding Panel so that it is in the open position

Lift Sliding Panel into the inside channel (1) of the Head Frame

Test Sliding Panel and adjust the rollers for ease of sliding.



**!** Minimum of 2 people are required to lift panels.

Please note that drawings are not to scale

Instructions | Trend® 2 Panel (FX or XF) Installation | Mk-1 | 25 Feb 2010

Confidentiality Notice: This document and the information it contains are copyright and confidential to Trend® Windows & Doors Pty Limited. Disclosure, use and copying in any form whatsoever, except as authorised by Trend® Windows & Doors in writing, are strictly prohibited. Patents and Design Registrations pending.