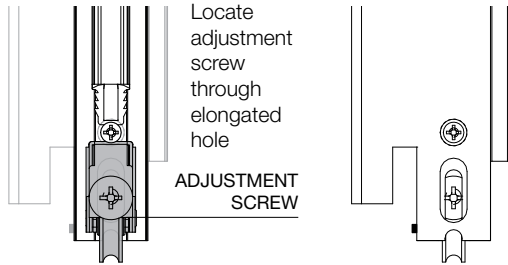


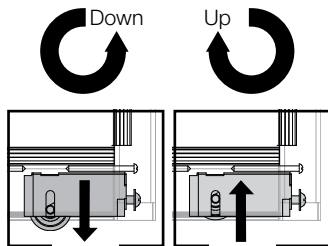
Instructions

Door Rollers

To adjust roller

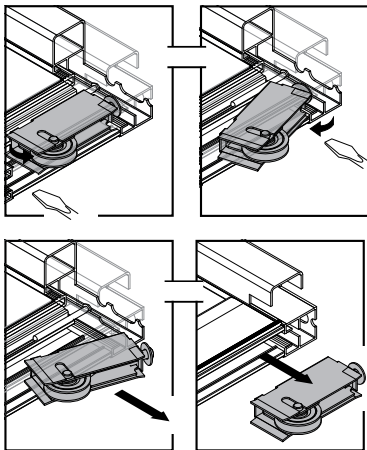


Rotate clockwise to raise the panel, counterclockwise to lower the panel



To remove roller

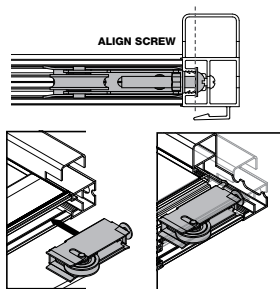
Pry roller loose by using a flat head screw driver and pivot roller on one side. Repeat on the adjustment screw side. Roller should become loose enough to pull out



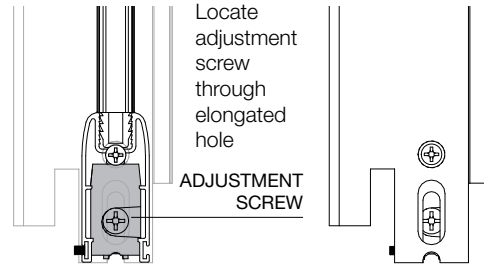
To replace roller

Loosen adjustment screw so that it is just enough to fit as shown

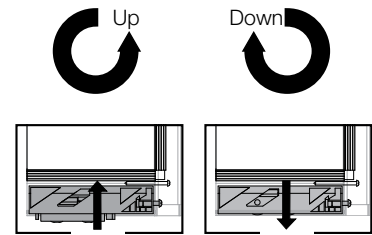
Push fit or use a rubber mallet to insert roller in place.



To adjust roller

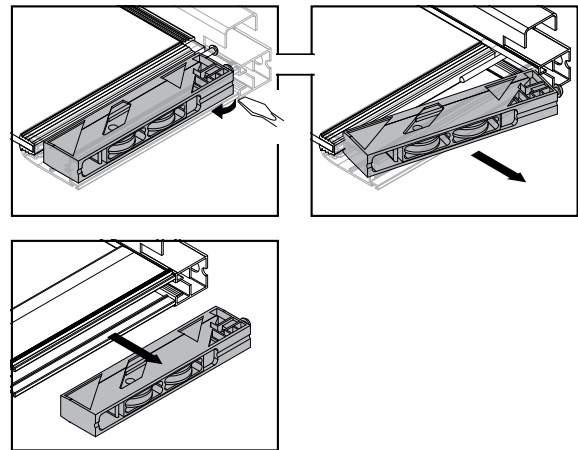


Rotate clockwise to raise the panel, counterclockwise to lower the panel



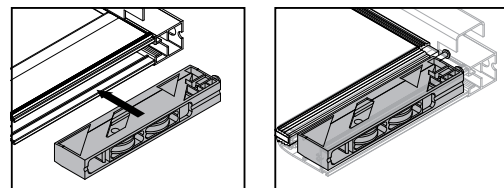
To remove roller

Pry roller loose by using a flat head screw driver and pivot roller on one side. Roller should become loose enough to pull out



To replace roller

Push fit or use a rubber mallet to insert roller in place.



Single Bogy Roller

Double Bogy Roller