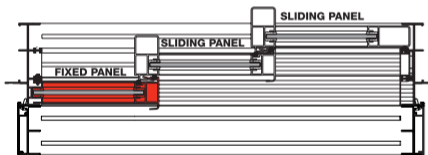



FIXED PANEL INSTALL

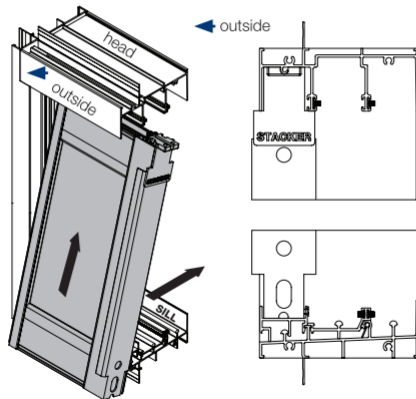
3 & 6 PANEL SLIDING STACKER



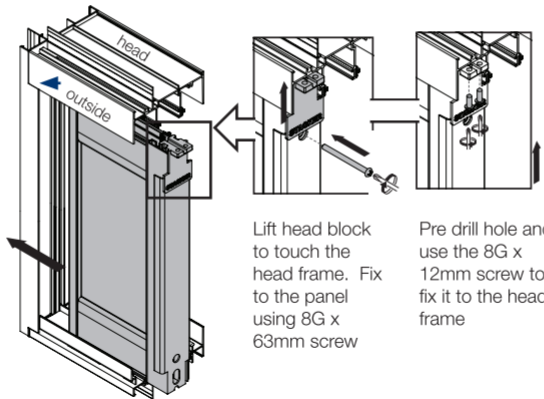
TREND
WINDOWS & DOORS

1 Lift fixed panel from outside into the end channel (3) of the head frame

 **Weight hazard in door panels**



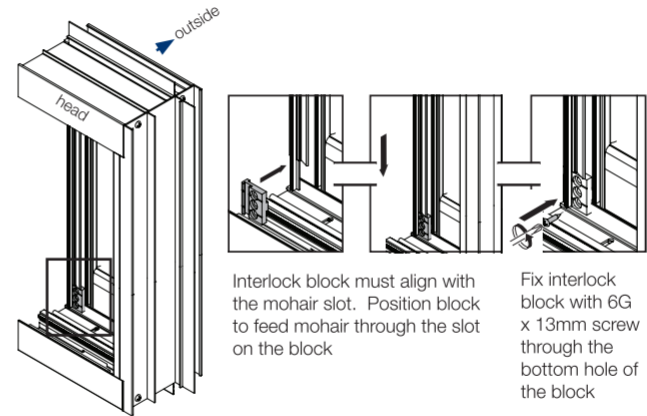
2 Push fixed panel into the jamb



Lift head block to touch the head frame. Fix to the panel using 8G x 63mm screw

Pre drill hole and use the 8G x 12mm screw to fix it to the head frame

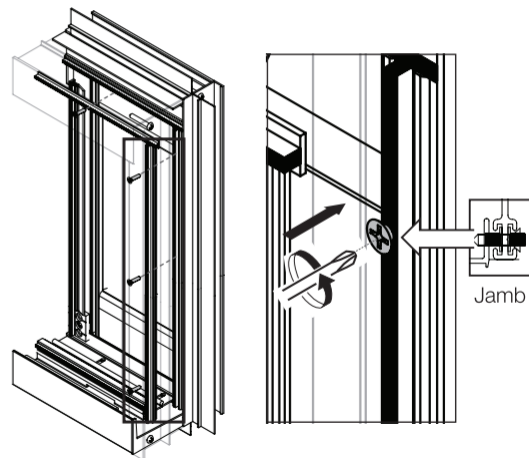
3 Position interlock block as shown



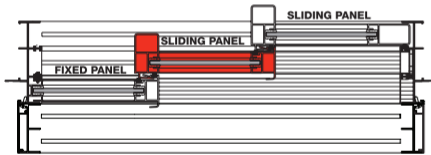
Interlock block must align with the mohair slot. Position block to feed mohair through the slot on the block

Fix interlock block with 6G x 13mm screw through the bottom hole of the block

4



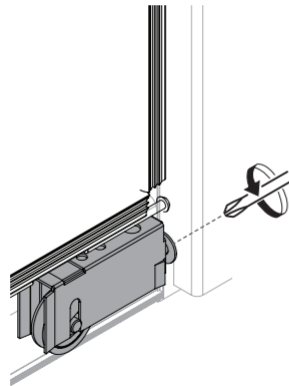
SLIDING PANEL INSTALL (middle door) 3 & 6 PANEL SLIDING STACKER



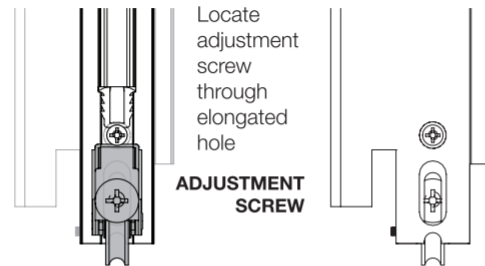
TREND
WINDOWS

& DOORS

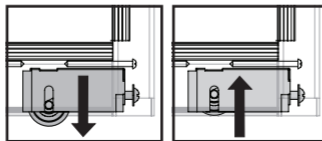
- 1** Before installing the sliding panel, adjust the rollers both sides to lower the panel



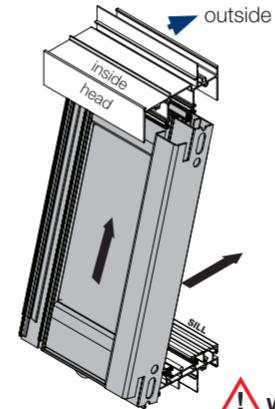
To adjust roller



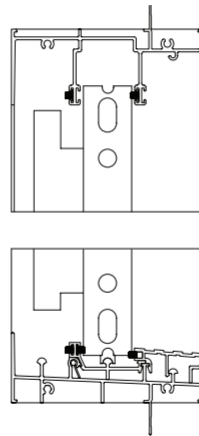
Rotate clockwise to raise the panel, counter clockwise (anti-clockwise) to lower the panel



- 2** Lift sliding panel from inside into the centre channel of the head frame

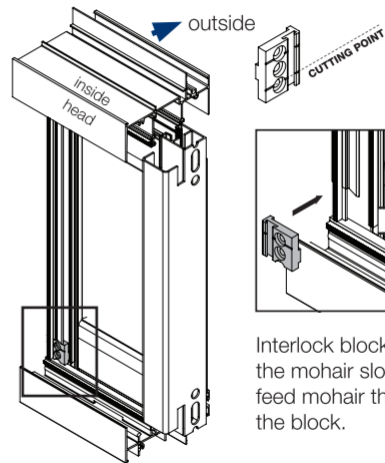


** Ensure engaging interlock is positioned before the fixed interlock is to be able to engage

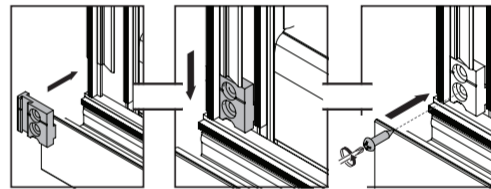


! Weight hazard in door panels

- 3** Position interlock block as shown



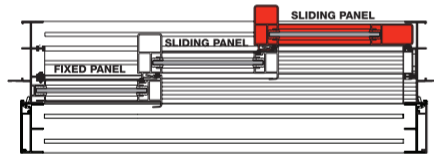
Re-adjust roller (Step 1) before fitting interlock block to the centre sliding panel, cut back block as shown



Interlock block must align with the mohair slot. Position block to feed mohair through the slot on the block.

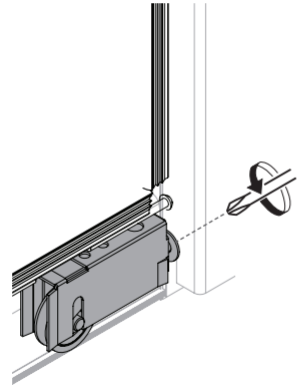
Fix Interlock Block with 6G x 13mm screw through the centre hole of the block.

SLIDING PANEL INSTALL (lead door) 3 PANEL SLIDING STACKER

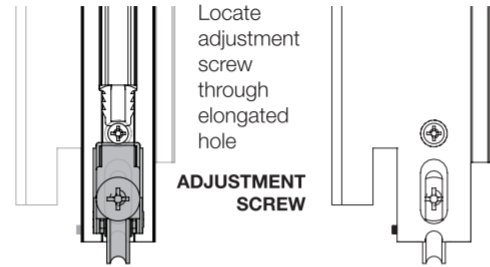


TREND
WINDOWS & DOORS

- 1** Before installing the sliding panel, adjust the rollers on both sides to lower the panel



To adjust roller

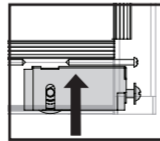
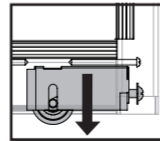


Locate adjustment screw through elongated hole

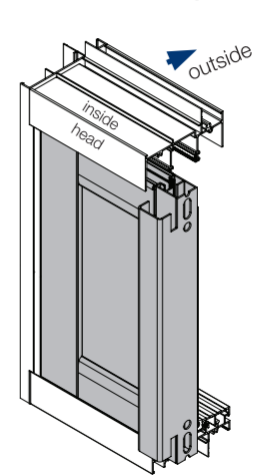
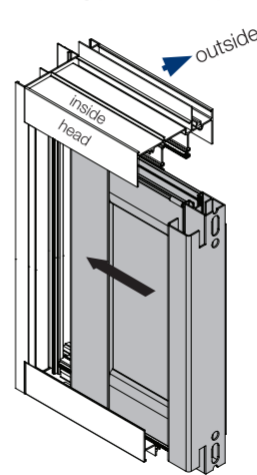
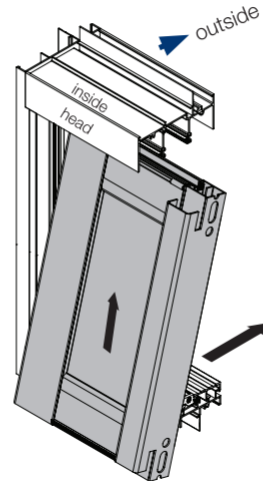
ADJUSTMENT SCREW



Rotate clockwise to raise the panel, counter clockwise (anti-clockwise) to lower the panel

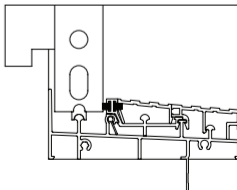
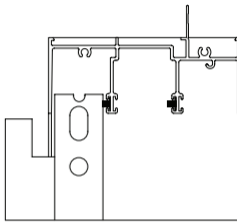


- 2** Position sliding panel so that it is in the open position. Lift sliding panel into the inside channel of the head frame. Test sliding panel and adjust the rollers for ease of sliding.

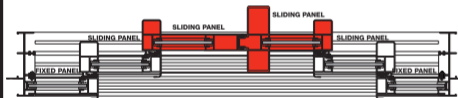


! Weight hazard in door panels

▶ outside



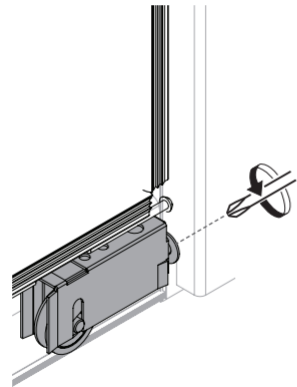
SLIDING PANEL INSTALL (lead door) 4 PANEL SLIDING DOOR & 6 PANEL SLIDING STACKER



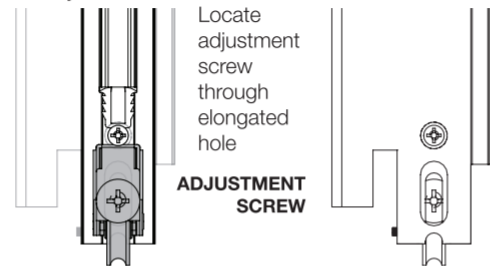
TREND
WINDOWS

& DOORS

- 1** Before installing the sliding panel, Adjust the rollers on both sides to lower the panel



To adjust roller

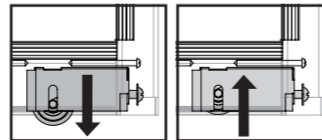


Locate adjustment screw through elongated hole

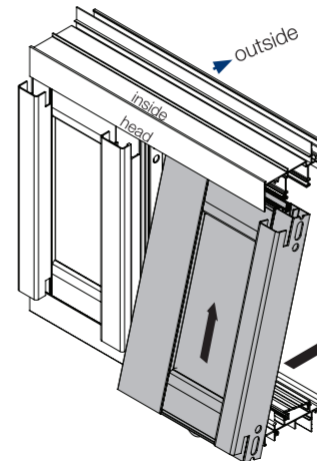
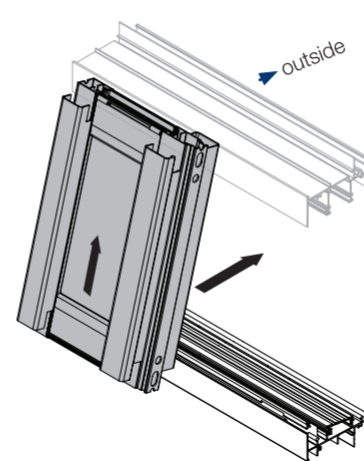
ADJUSTMENT SCREW



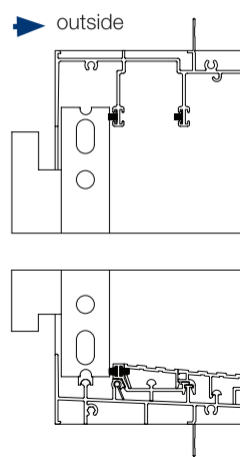
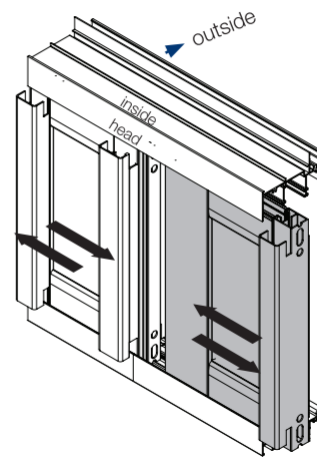
Rotate clockwise to raise the panel, counter clockwise (anti-clockwise) to lower the panel



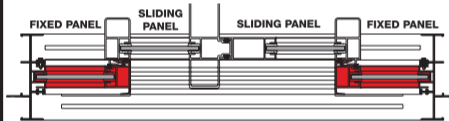
- 2** Position sliding panel so that it is in the open position. Lift sliding panel into the inside channel (1) of the head frame.



! Weight hazard in door panels



FIXED PANEL INSTALL 4 PANEL SLIDING DOORS



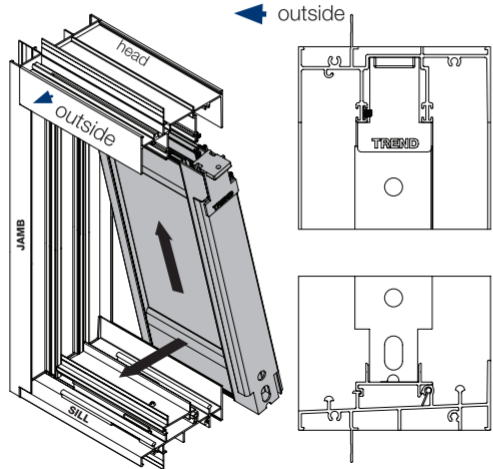
TREND
WINDOWS

& DOORS

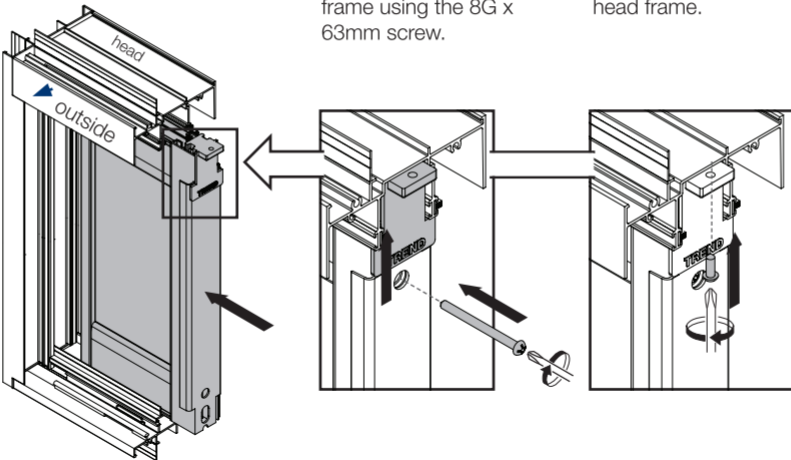
- 1** Lift fixed panel into the middle channel (2) of the head frame



Weight Hazard in Door Panels.



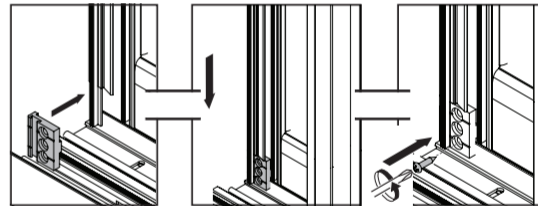
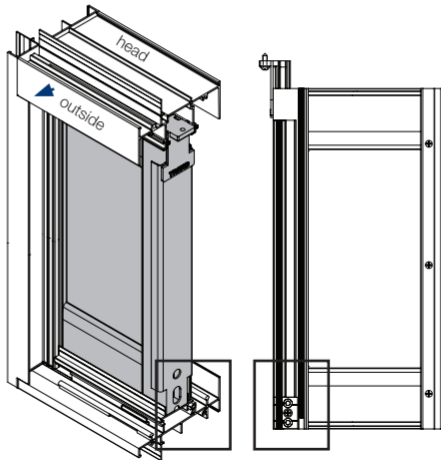
- 2** Push fixed panel into the jamb ensuring that it is all the way in.



Lift head block to touch the head frame. Fix panel into the frame using the 8G x 63mm screw.

Pre drill holes and use the 8G x 12mm screw to fix it to the head frame.

- 3** Position interlock block as shown



Interlock block must align with the mohair slot. Position block to feed mohair through the slot on the block.

Fix Interlock Block with 6G x 13mm screw through the bottom hole of the block.