



Timber  
Windows & Doors



Mirrors



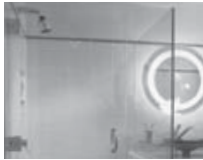
Aluminium  
Windows & Doors



Wardrobes



Timber Entry Doors



Showerscreens



Splashbacks



Stegbar  
Installation Service

# Timber bifold window builder & home owner information



## Installation

1. Install the window into the opening using normal timber window building-in practices.
2. Ensure that the flyscreen chain is not damaged during handling (Refer to Fig 1).
3. **Do not** cover the flyscreen pelmet with architraves (Refer to Fig 1).
4. **Adjusting sashes** - Once the window is fully built in, if the sashes scrape at the top or bottom, they can be adjusted as shown in Fig 2. Remove the clip after adjustment is complete.
5. Chain Tensioners must be fitted to the chain and fixed to the frame using the screws provided. To avoid creating a possible strangulation hazard for children, this corded internal window covering must be installed in such a way that a loose cord cannot form a loop 220mm or longer at a height of less than 1600mm above floor level. (Refer to Fig 3)

**WARNING:** Do not remove the chain tensioner.

It is obligatory that the child safe chain tensioner is installed. This is to prevent children from pulling the chain around their neck.

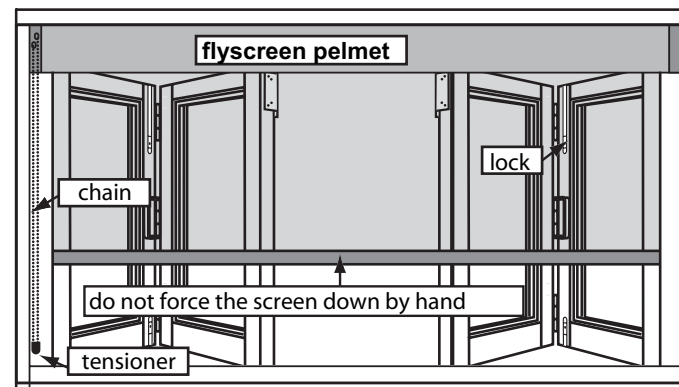


Fig 1

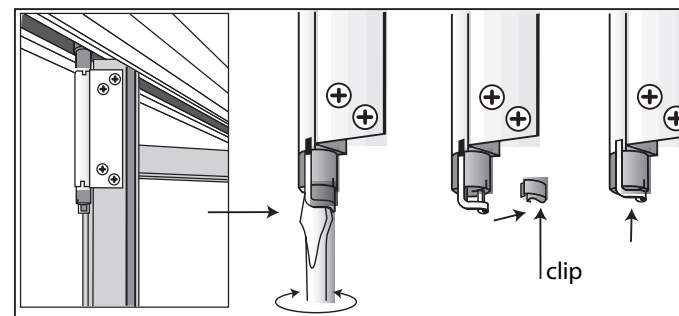


Fig 2

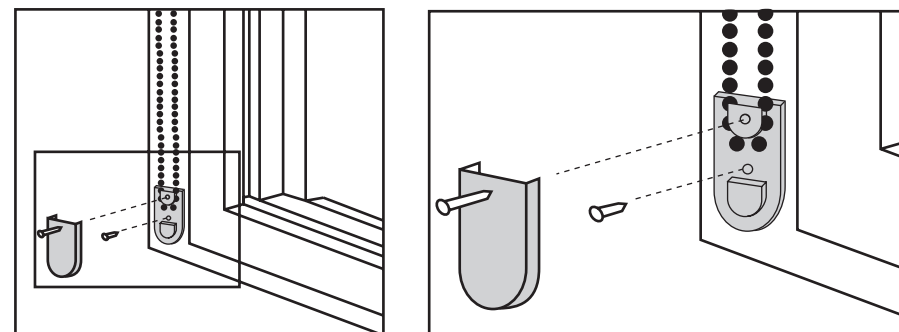


Fig 3

## Operation

1. **Do not** force the screen down by hand. Only use the chain on the side of the window (Refer to Fig 1).
2. Before opening sashes, ensure that all locks are disengaged (Refer to Fig 1).