

RANGE

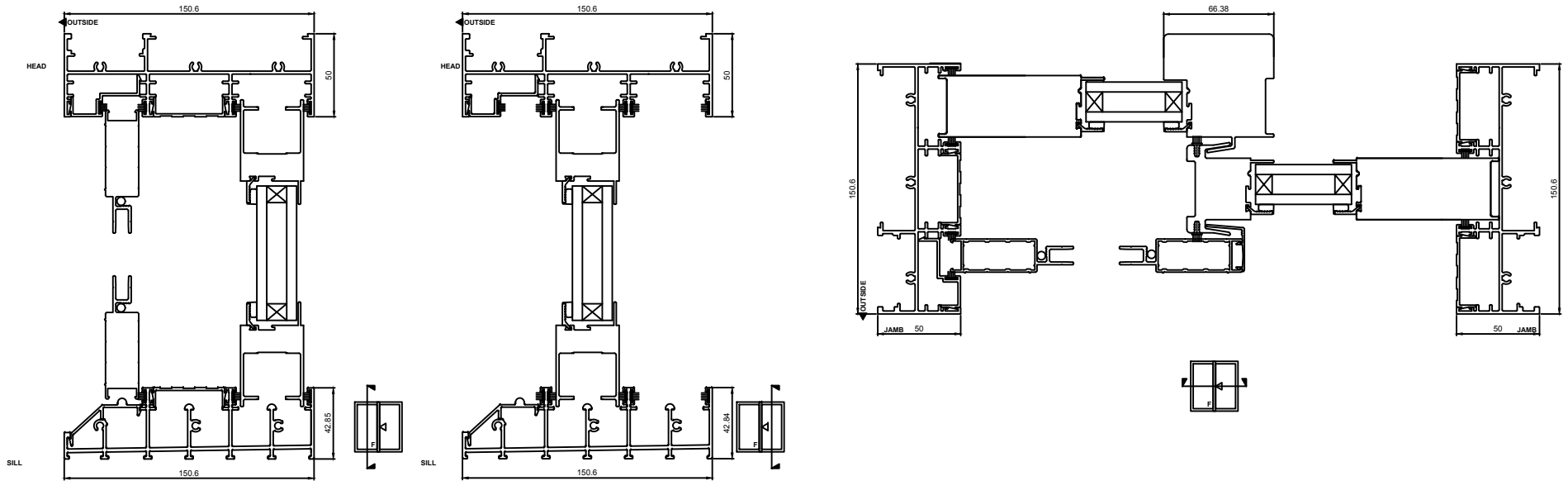
PRODUCT

CONFIGURATION

**QUANTUM**

**PLATINUM SLIDING DOOR**

**150mm FRAME - 2 LITE w/ SCREENS**



**Notice**

This drawing is confidential. This drawing and its copyright are the property of or to Trend Windows & Doors and must not be used, disclosed or reproduced in any form whatsoever except as authorised in writing.

This drawing must be returned with quotation and/or completion of job as applicable

**Drawing Notice**

These are only a generic building in details to assist in the construction and installation of Trend Windows and Doors; please contact us for further information or enquiries.

**Issue**

A

**Modification**

FIRST ISSUE

**Date**

NOV 15

**Date**

06/11/2015

Revision

A

Drawn

V.N.



RANGE

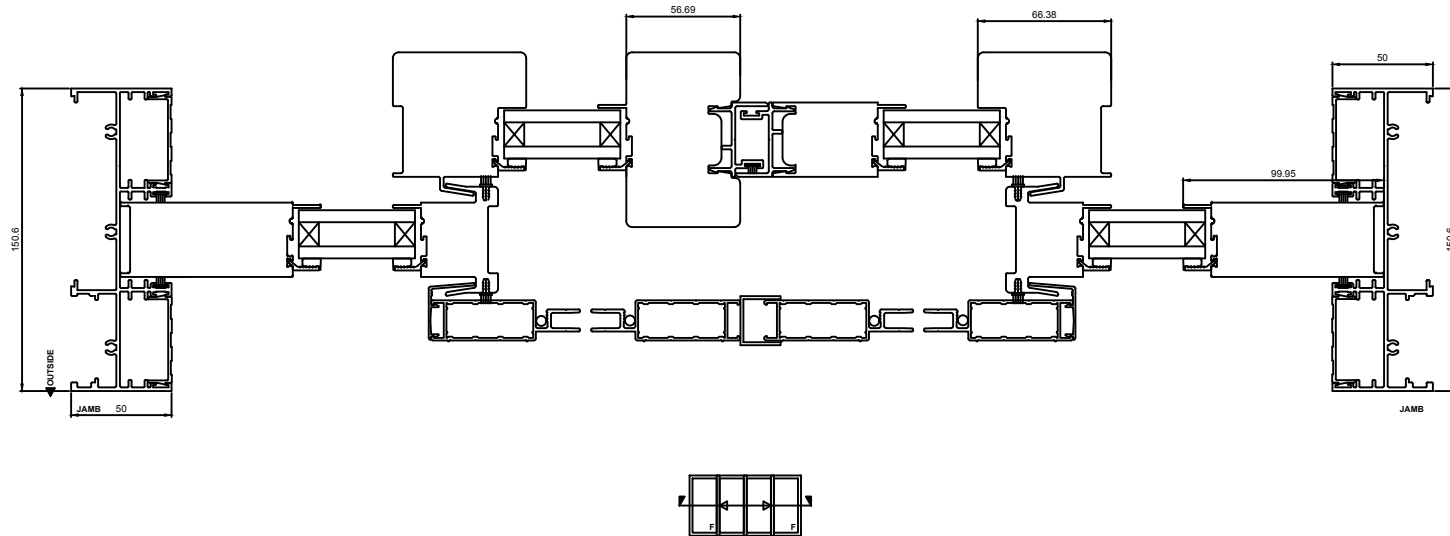
PRODUCT

CONFIGURATION

**QUANTUM**

**PLATINUM SLIDING DOOR**

**150mm FRAME - 4 LITE w/ SCREENS**



|  |   |   |                              |   |                                  |  |  |
|--|---|---|------------------------------|---|----------------------------------|--|--|
|  | <p><b>Notice</b></p> <p>This drawing is confidential. This drawing and its copyright are the property of or to Trend Windows &amp; Doors and must not be used, disclosed or reproduced in any form whatsoever except as authorised in writing.</p> <p>This drawing must be returned with quotation and/or completion of job as applicable</p> | <p><b>Drawing Notice</b></p> <p>These are only a generic building in details to assist in the construction and installation of Trend Windows and Doors; please contact us for further information or enquiries.</p> | <p><b>Issue</b></p> <p>A</p> | <p><b>Modification</b></p> <p>FIRST ISSUE</p> | <p><b>Date</b></p> <p>NOV 15</p> | <p><b>Date</b></p> <p>06/11/2015</p> <p>Revision</p> <p>A</p> <p>Drawn</p> <p>V.N.</p> |  |
|--|---|---|------------------------------|---|----------------------------------|--|--|

RANGE

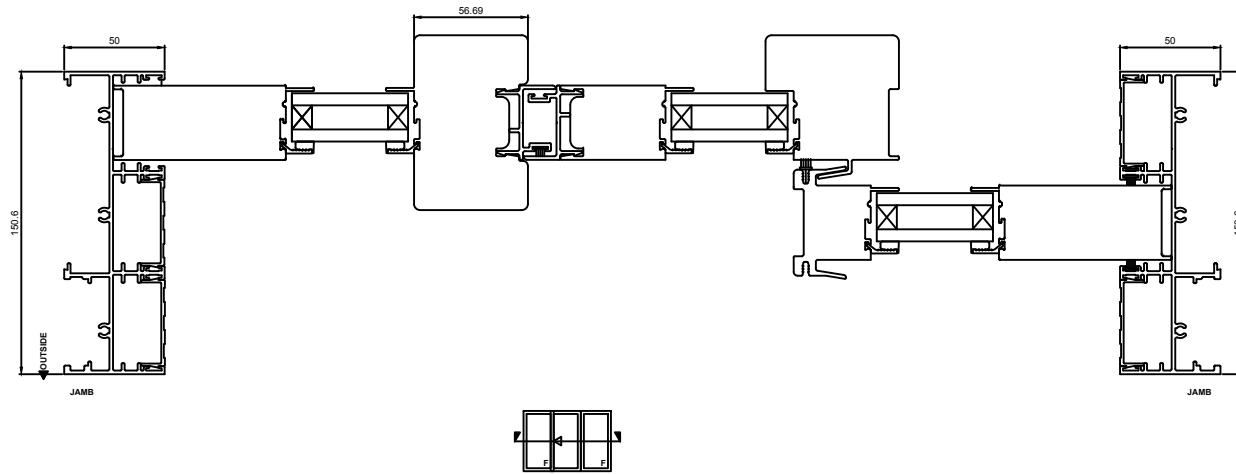
PRODUCT

CONFIGURATION

**QUANTUM**

**PLATINUM SLIDING DOOR**

**FXF**



|  |  |   |              |                     |             |             |  |
|--|--|---|--------------|---------------------|-------------|-------------|--|
|  | <b>Notice</b>  | <b>Drawing Notice</b>   | <b>Issue</b> | <b>Modification</b> | <b>Date</b> | <b>Date</b> |  |
|  | This drawing is confidential. This drawing and its copyright are the property of or to Trend Windows & Doors and must not be used, disclosed or reproduced in any form whatsoever except as authorised in writing. | These are only a generic building in details to assist in the construction and installation of Trend Windows and Doors; please contact us for further information or enquiries. | A            | FIRST ISSUE         | OCT 16      | 29.09.2016  |  |
|  | This drawing must be returned with quotation and/or completion of job as applicable  |   |              |                     |             | Revision    |  |
|  |  |   |              |                     |             | A           |  |
|  |  |   |              |                     |             | Drawn       |  |
|  |  |   |              |                     | JL          |             |  |

RANGE

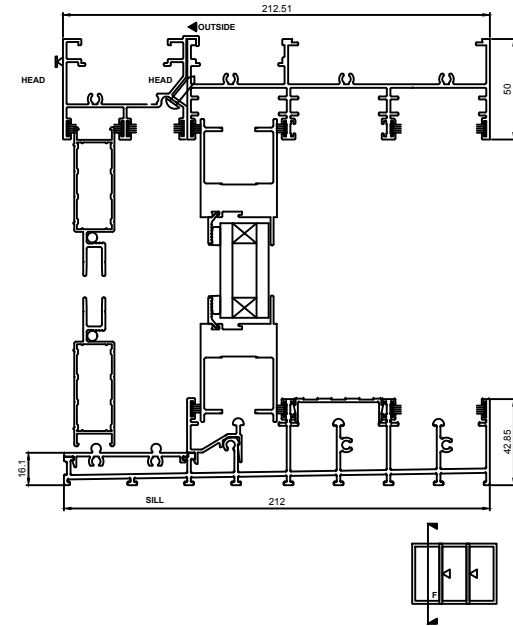
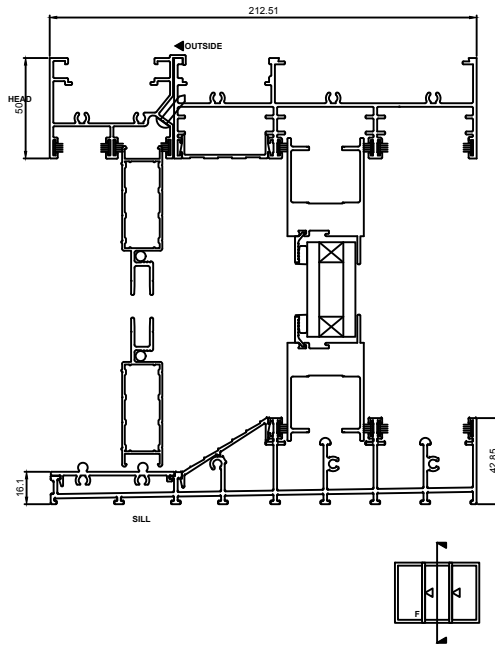
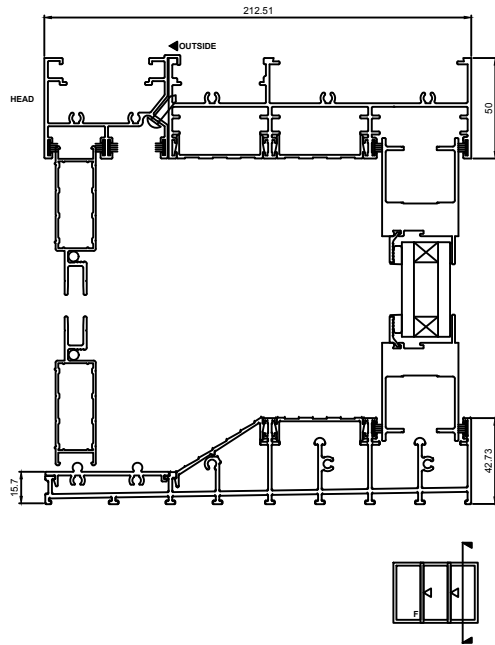
PRODUCT

CONFIGURATION

**QUANTUM**

**PLATINUM STACKING DOOR**

**3 LITE w/SCREENS - 150mm FRAME (FXX)**



Notice

This drawing is confidential. This drawing and its copyright are the property of or to Trend Windows & Doors and must not be used, disclosed or reproduced in any form whatsoever except as authorised in writing.

This drawing must be returned with quotation and/or completion of job as applicable

Drawing Notice

These are only a generic building in details to assist in the construction and installation of Trend Windows and Doors; please contact us for further information or enquiries.

Issue

A

Modification

FIRST ISSUE

Date

NOV 15

Date

06/11/2015

Revision

A

Drawn

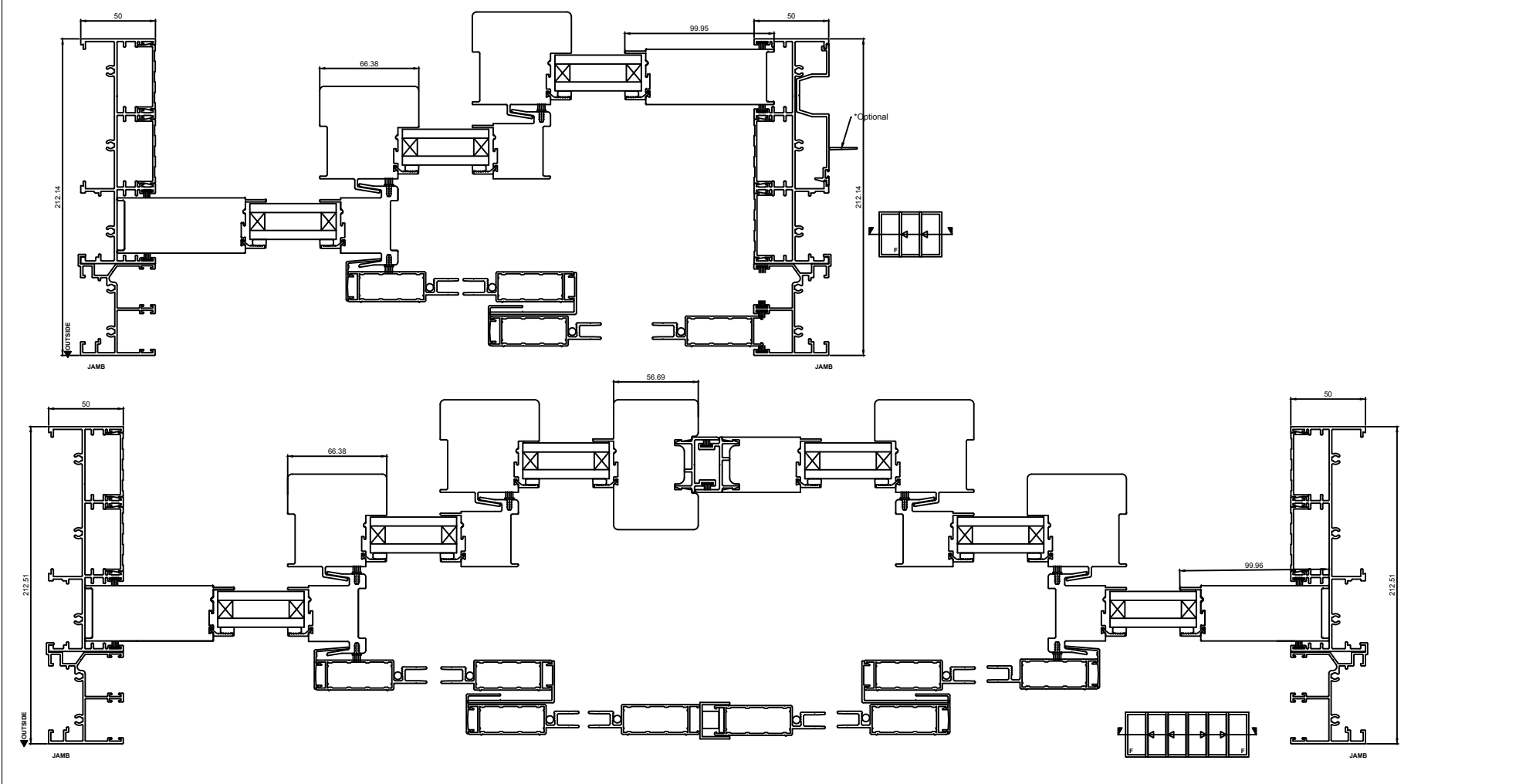
V.N.



RANGE  
**QUANTUM**

PRODUCT  
**PLATINUM STACKING DOOR**

CONFIGURATION  
**3 LITE/ 6 LITE w/SCREENS 150mm FRAME (FXX/ FXXXXF)**



|   |   |                              |   |                                  |                                      |  |
|---|---|------------------------------|---|----------------------------------|--------------------------------------|--|
| <p><b>Notice</b></p> <p>This drawing is confidential. This drawing and its copyright are the property of or to Trend Windows &amp; Doors and must not be used, disclosed or reproduced in any form whatsoever except as authorised in writing.</p> <p>This drawing must be returned with quotation and/or completion of job as applicable</p> | <p><b>Drawing Notice</b></p> <p>These are only a generic building in details to assist in the construction and installation of Trend Windows and Doors; please contact us for further information or enquiries.</p> | <p><b>Issue</b></p> <p>A</p> | <p><b>Modification</b></p> <p>FIRST ISSUE</p> | <p><b>Date</b></p> <p>NOV 15</p> | <p><b>Date</b></p> <p>06/11/2015</p> |  |
|   |   |                              |   |                                  | <p>Revision</p> <p>A</p>             |  |
| <p>Drawn</p>  |   |                              |   |                                  |                                      |  |
| <p>V.N.</p>   |   |                              |   |                                  |                                      |  |

RANGE

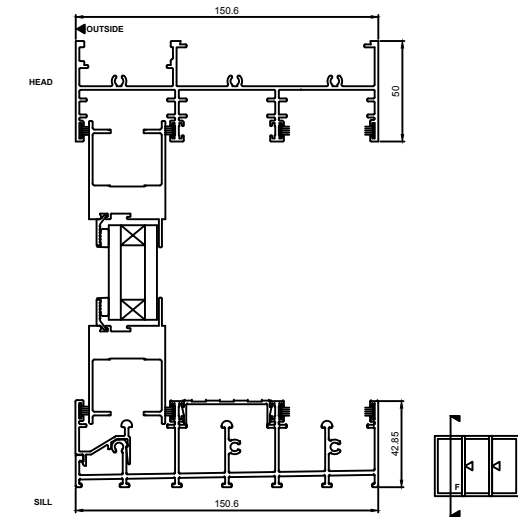
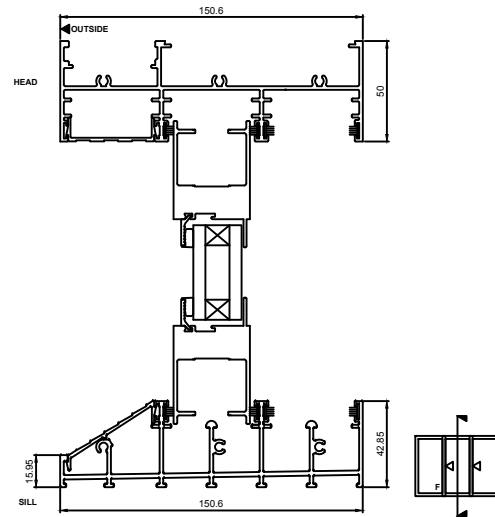
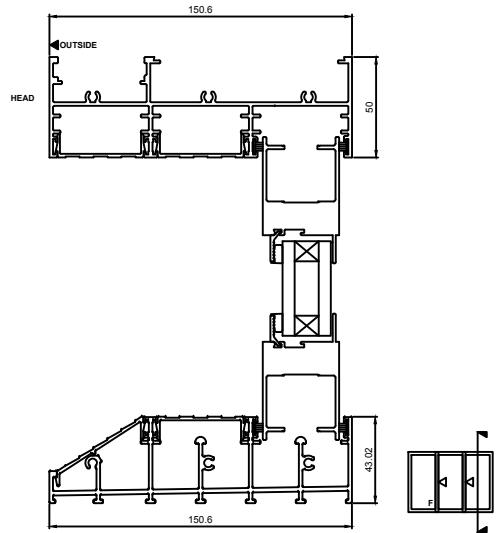
PRODUCT

CONFIGURATION

**QUANTUM**

**PLATINUM STACKING DOOR**

**3 LITE - 150mm FRAME (FXX)**



**Notice**

This drawing is confidential. This drawing and its copyright are the property of or to Trend Windows & Doors and must not be used, disclosed or reproduced in any form whatsoever except as authorised in writing.

This drawing must be returned with quotation and/or completion of job as applicable

**Drawing Notice**

These are only a generic building in details to assist in the construction and installation of Trend Windows and Doors; please contact us for further information or enquiries.

**Issue**

A

**Modification**

FIRST ISSUE

**Date**

NOV 15

**Date**

06/11/2015

Revision

A

Drawn

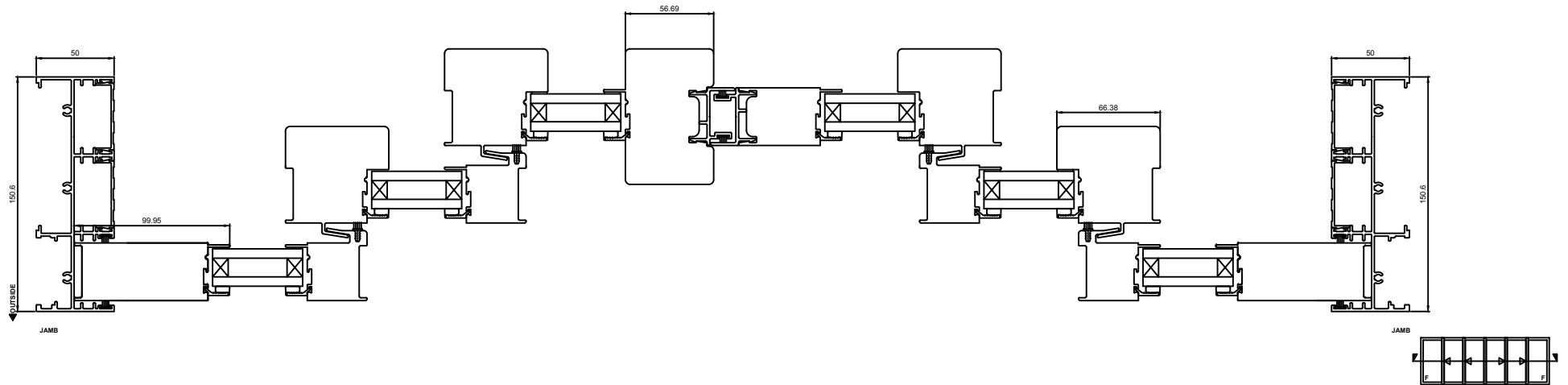
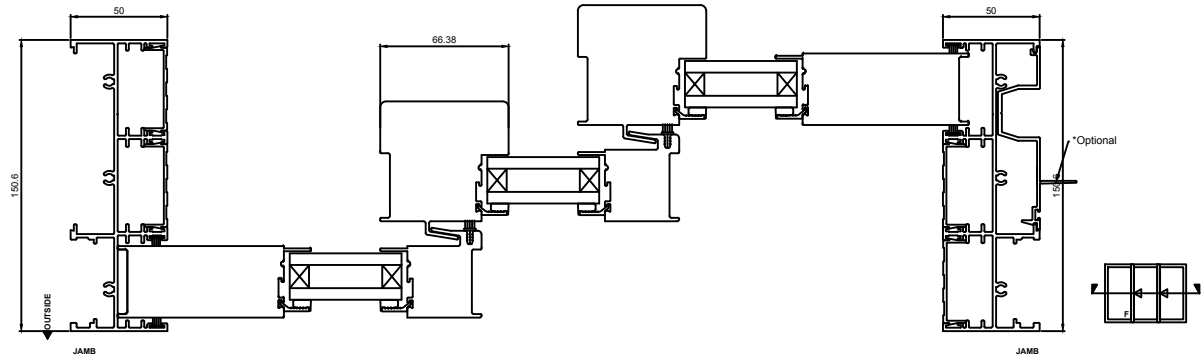
V.N.



RANGE  
**QUANTUM**

PRODUCT  
**PLATINUM STACKING DOOR**

CONFIGURATION  
**3 LITE / 6 LITE - 150mm FRAME (FXX / FXXXXF)**



**Notice**  
This drawing is confidential. This drawing and its copyright are the property of or to Trend Windows & Doors and must not be used, disclosed or reproduced in any form whatsoever except as authorised in writing.  
  
This drawing must be returned with quotation and/or completion of job as applicable

**Drawing Notice**  
These are only a generic building in details to assist in the construction and installation of Trend Windows and Doors; please contact us for further information or enquiries.

| Issue | Modification | Date   | Date       |
|-------|--------------|--------|------------|
| A     | FIRST ISSUE  | NOV 15 | 06/11/2015 |

|          |      |
|----------|------|
| Revision | A    |
| Drawn    | V.N. |



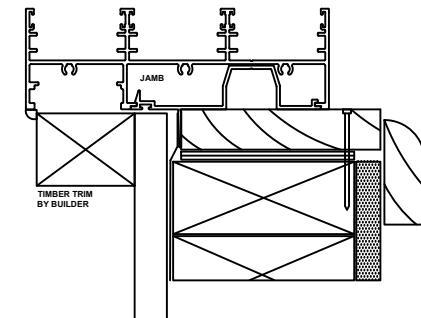
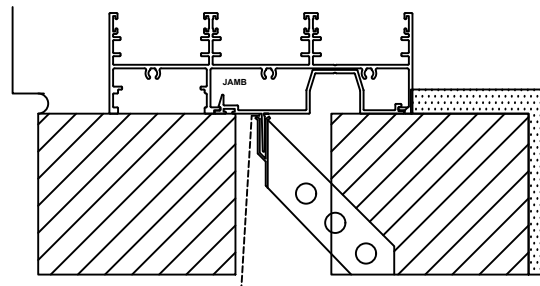
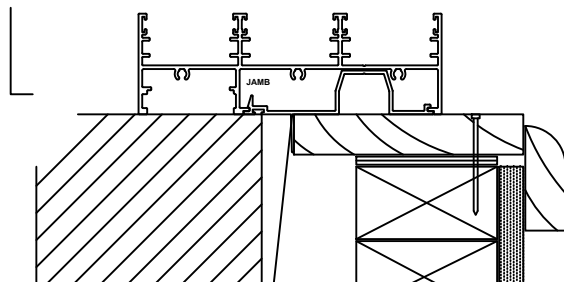
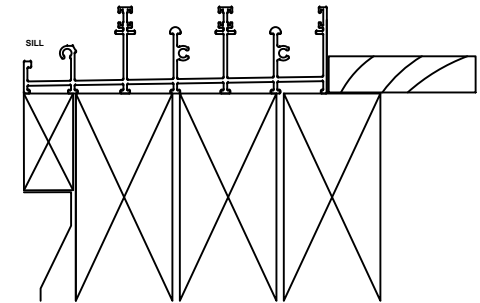
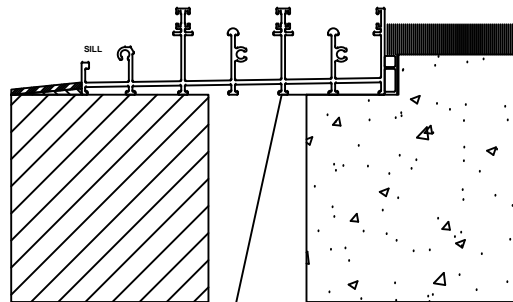
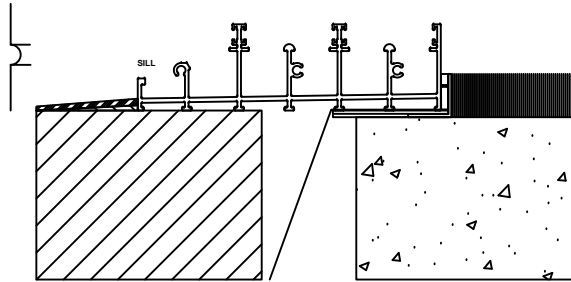
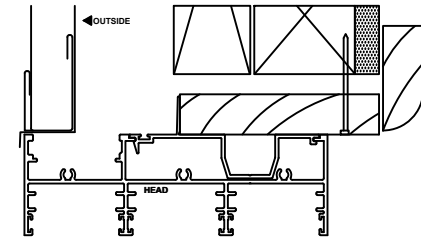
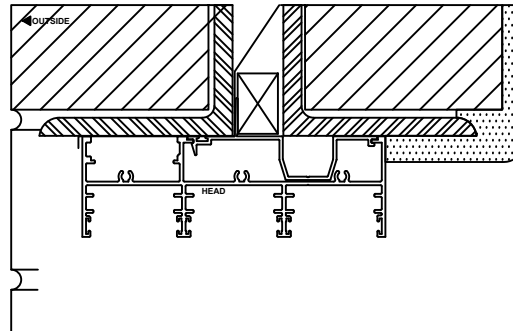
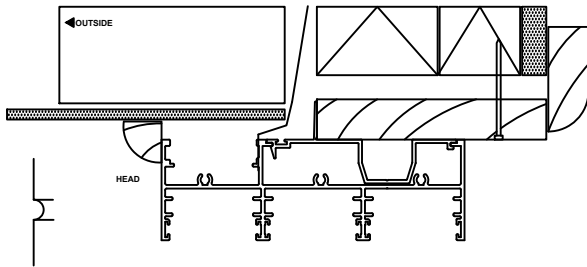
**BUILDING IN DETAILS**

**QUANTUM PLATINUM SLIDING DOOR**

**BRICK VENEER**

**DOUBLE BRICK**

**CLADDING**



**Notice**

This drawing is confidential. This drawing and its copyright are the property of or to Trend Windows & Doors and must not be used, disclosed or reproduced in any form whatsoever except as authorised in writing.  
This drawing must be returned with quotation and/or completion of job as applicable.

**Drawing Notes**

The drawings shown are basic cross sectional views. For further information please contact Trend Windows and Doors.

**Issue**

A

**Modification**

FIRST ISSUE

**Date**

FEB 16

**Date**

23 02 16

**Revision**

A

**Drawn**

V.N.

