



Crestlite® 480 Sliding Window

Features & Benefits

480 Sliding Window - Features & Benefits

480 Sliding Window - Features & Benefits

FRAME

- Robust semi commercial aluminium window frame - ideal for larger fixed lite applications.
- Overall frame profile measures 45mm x 102mm.
- Frames can be glazed internally.
- Commercial look for apartments, units or high end residential projects.

SASH

- Sashes are easily removable for maintenance.

GLAZING & ENERGY EFFICIENCY

- All Trend® Windows and Doors comply with AS1288, AS/NZS4666, AS/NZS1170 and AS/NZS1664.
- Glazing options from 4mm glass to 18mm insulated glazed units (IGUs).
- Energy efficiency options available to help reduce energy consumption.
- All glazing options are Window Energy Rating Scheme (WERS) rated - providing a wide range of energy efficient solutions.

ACOUSTICS

- Acoustic solutions available for improved noise reduction.
- High R_w ratings or STC ratings available.

HARDWARE

- Key-lockable option for window lock available.
- Ventlock option is available.
- **Infinity** black hardware is supplied as standard.
- Optional colours available
 - Pearl White
 - Stone Beige
 - Anodic Natural Matt
- Window locks can be keyed alike to other Trend® products for ease of use.

WIND & WATER RATINGS

- All Trend® Windows and Doors are designed to meet and surpass 700Pa wind velocity rating and 150Pa water penetration rating and comply with AS2047.
- Pascal deflection rates up to 2200Pa.
- Sliding window rated at an air infiltration of 0.66L/s m² (below the the National Construction Code (NCC) for Air conditioned spaces of 1.00L/s m²) perfect for both air conditioned and non-air conditioned spaces.

FLYSCREENS

- Flyscreen is available.

FINISHES

- Wide range of powdercoat finishes are available (including warranty powders and anodised options).



Note: To obtain maximum rating detail contact your nearest Trend Architectural Consultant.



Crestlite® 480 Sliding Window Installation

480 Sliding Window - Installation

Building In Detail | **Blockwork**



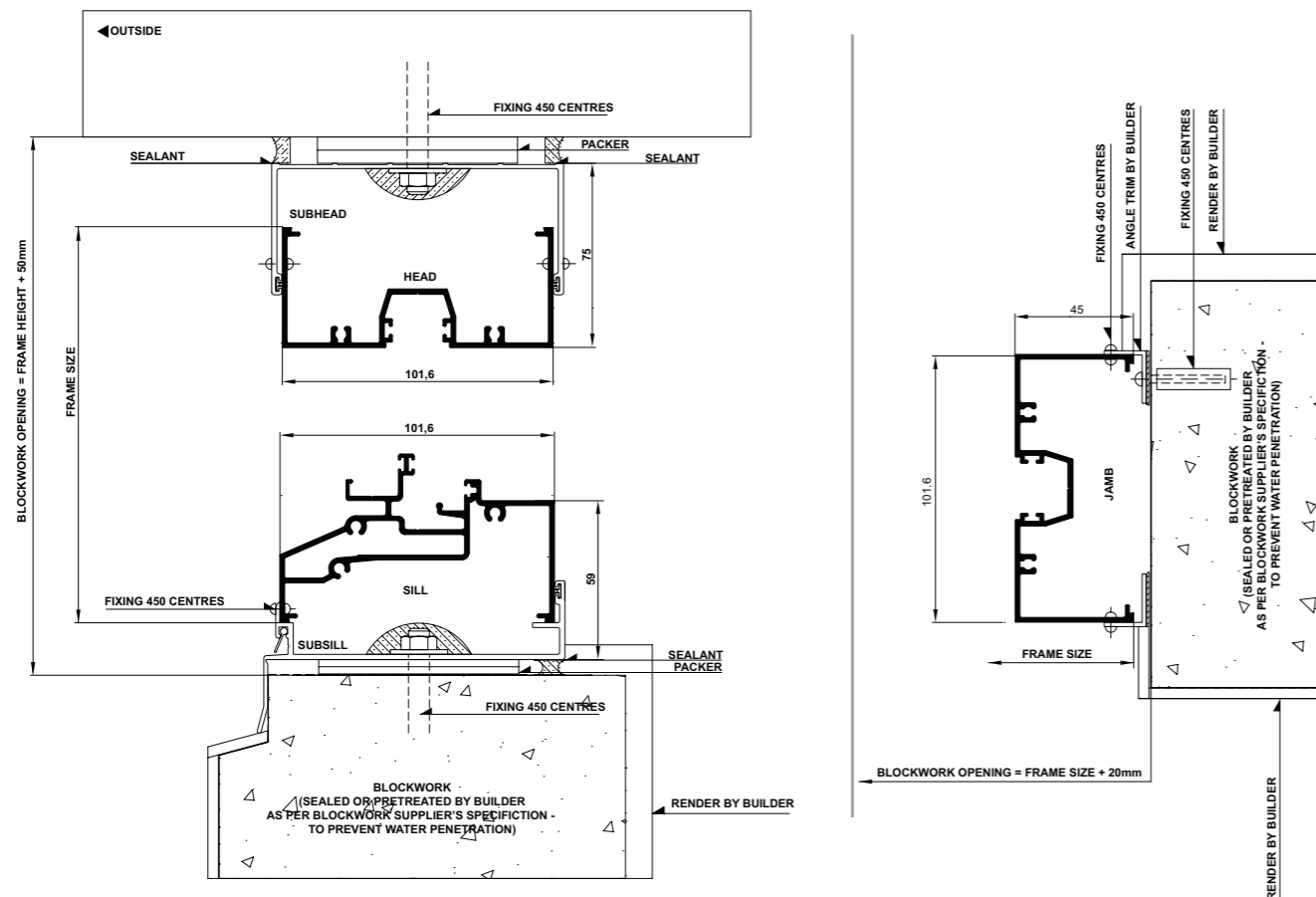
INSTALLING FRAME CORRECTLY

- Fit flashing to window surround (refer to drawing below).
- Measure the frame opening to ensure that there is sufficient room for the product and additional packing.

Blockwork Opening:

Height = Frame Size + 50mm
Width = Frame Size + 20mm

- Header beam should be at least 12mm clear of window frame.
- Do not permit weight of eaves or arch bars to bear on any window or door frame. **(Windows and doors are not load bearing.)**
- Caulking between render and frame
- To ensure the satisfactory long term performance of doors, sill must be fully supported.
- Ensure outside finish does not block sill drainage holes





Crestlite® 480 Sliding Window

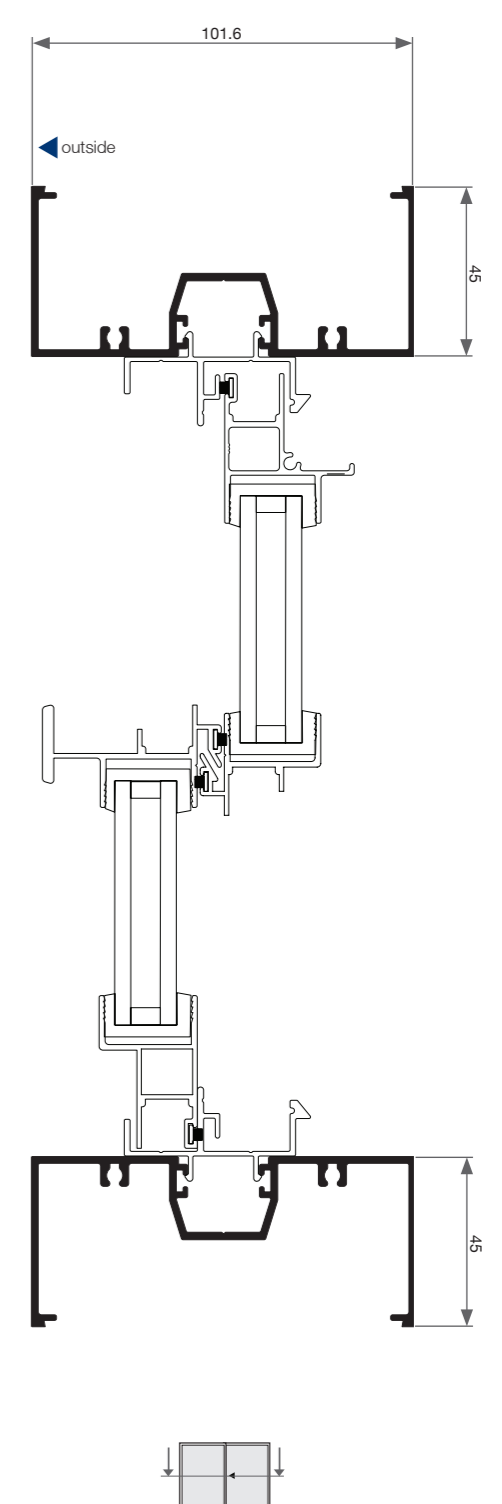
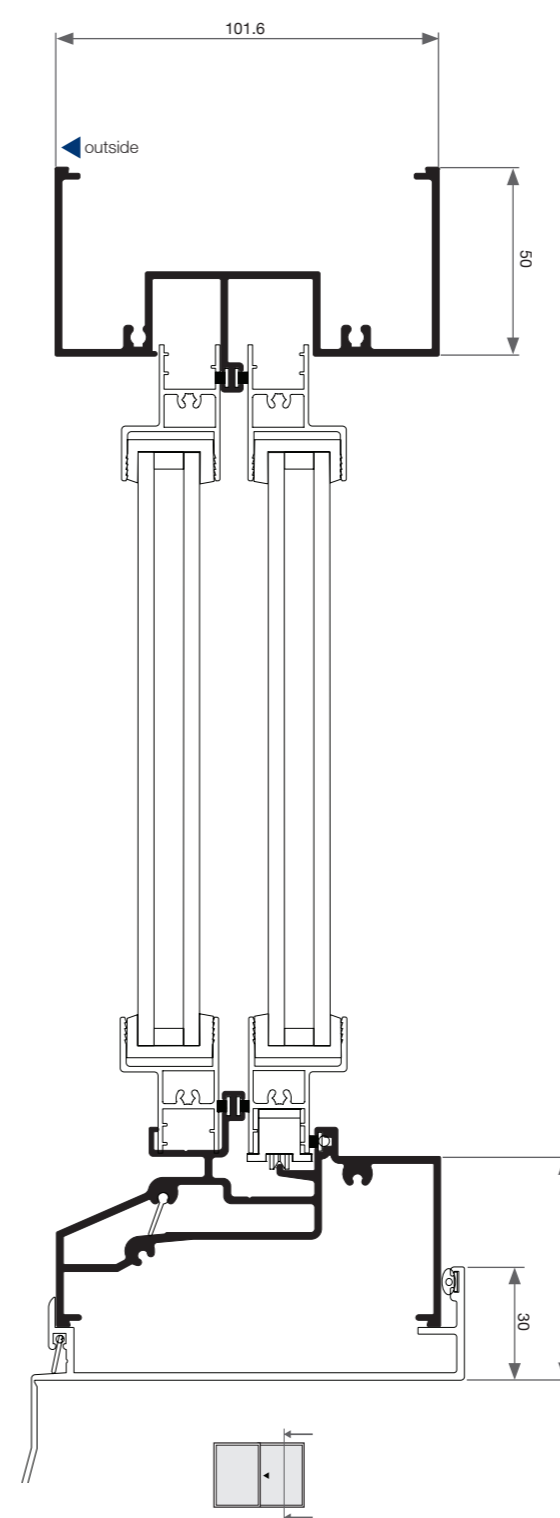
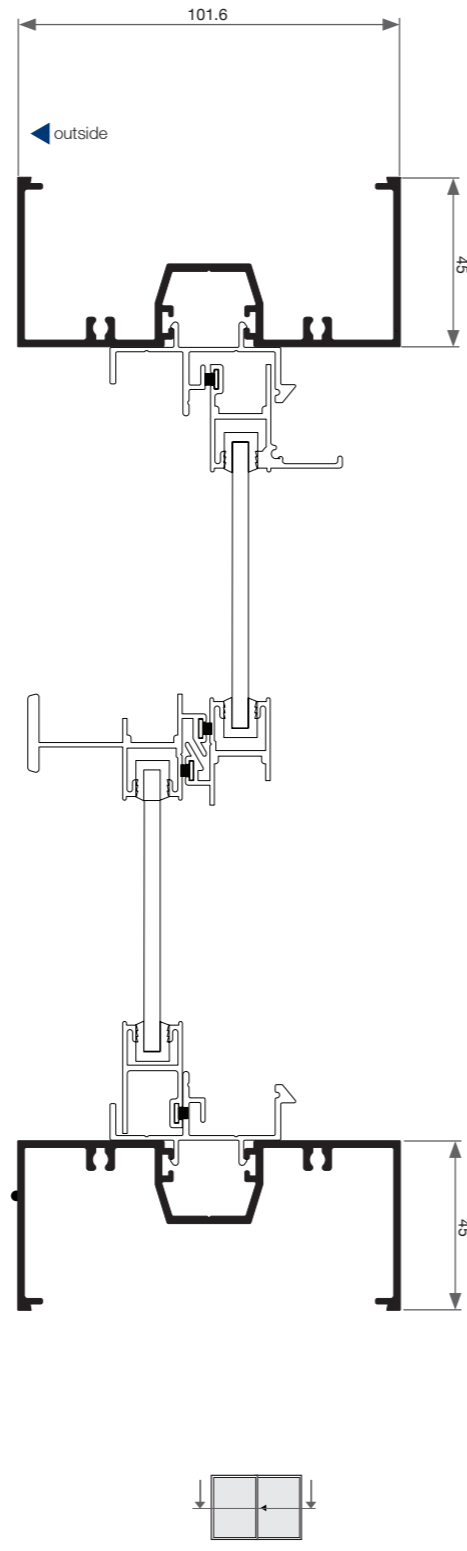
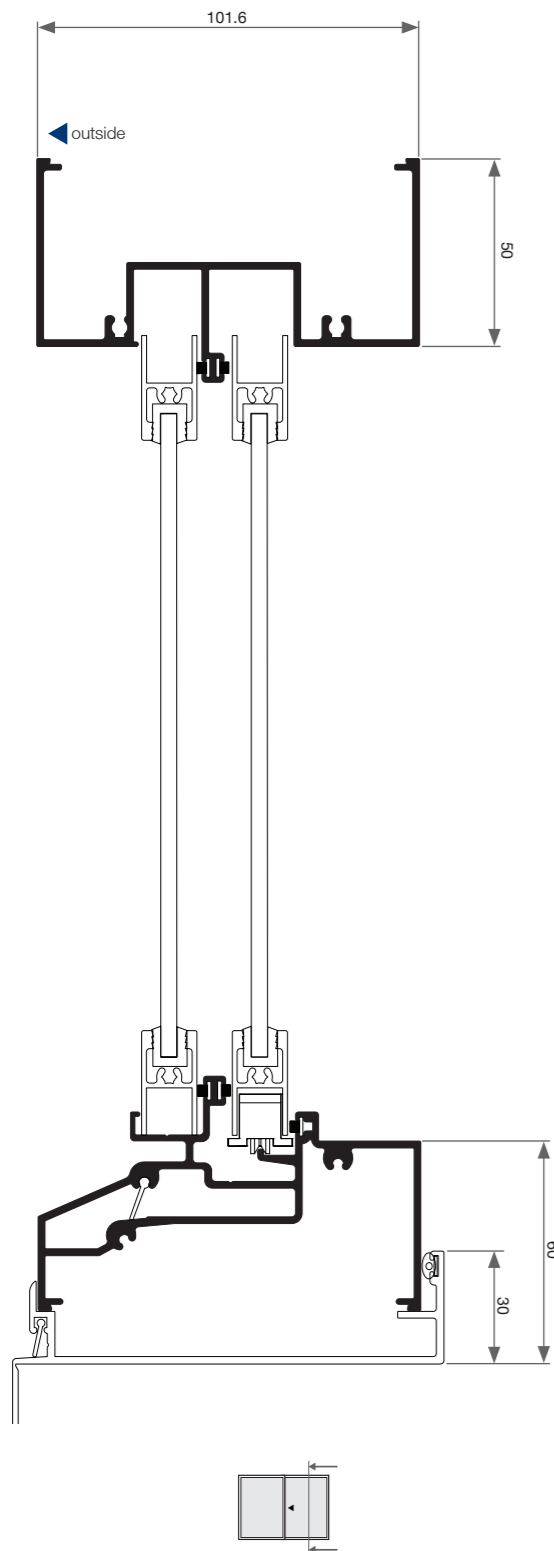
Cross Sectional Views

480 Sliding Window - Cross Sectional View

480 Sliding Window - Cross Sectional View

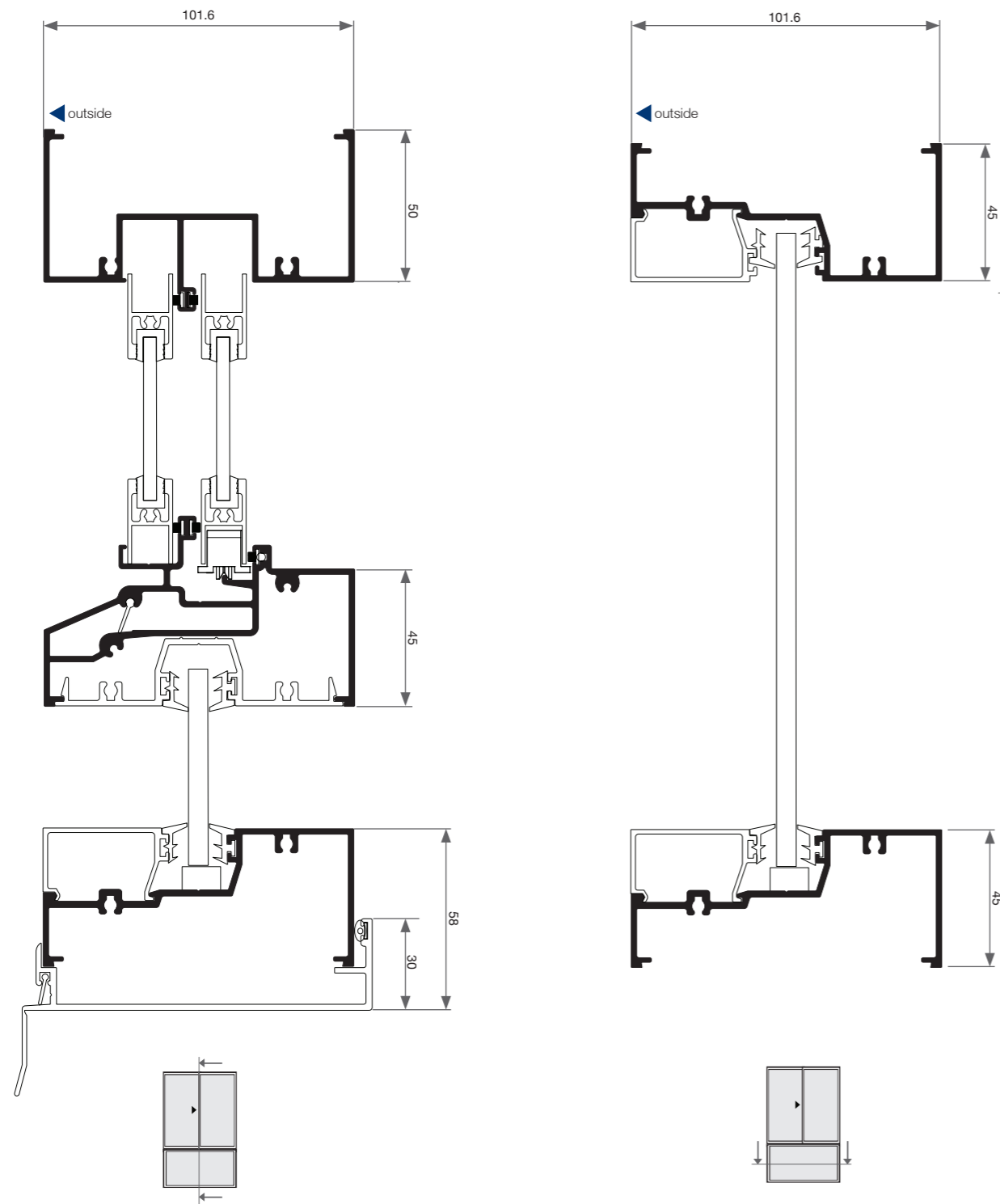
Two Lite

Two Lite | Double Glazed



480 Sliding Window - Cross Sectional View

Two Lite | Transom



480 Sliding Window - Cross Sectional View

Two lite | Side Lite

