

RANGE

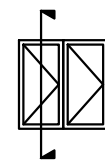
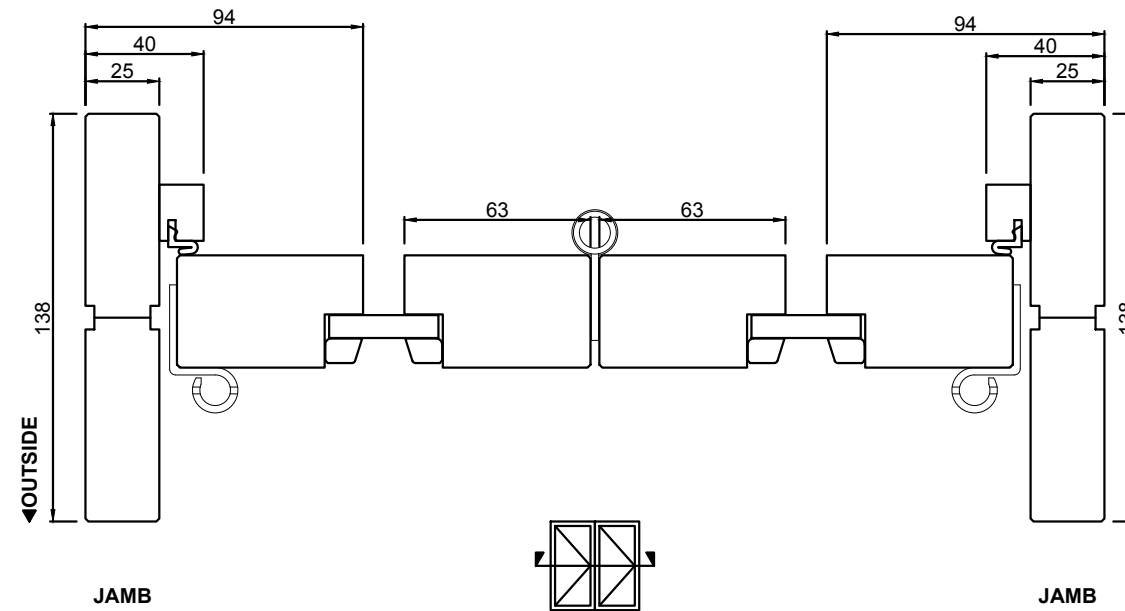
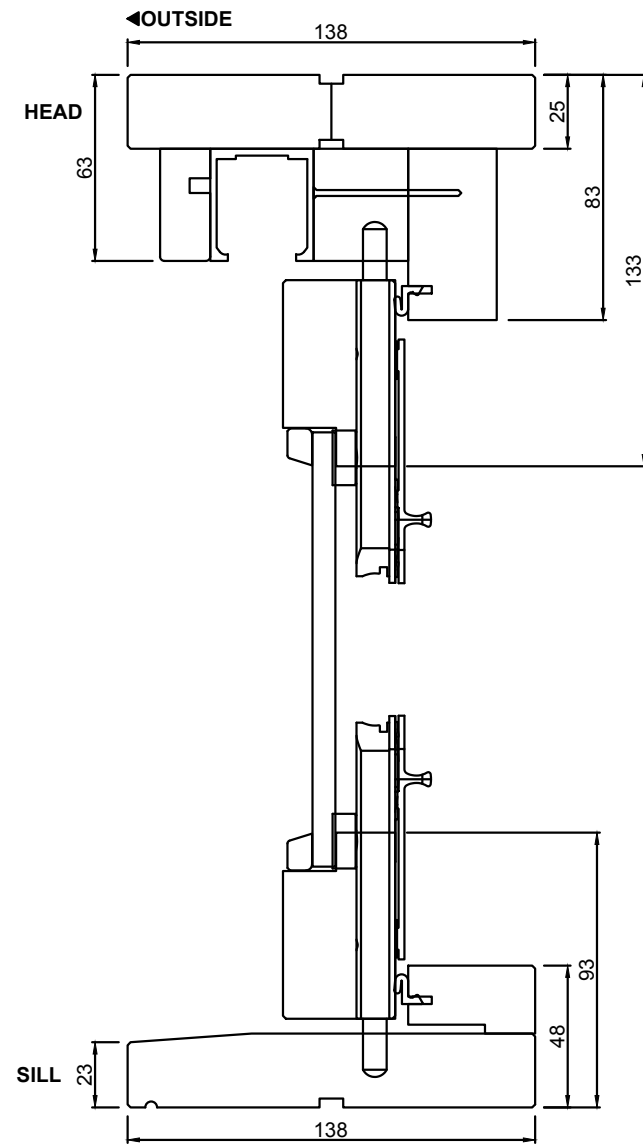
PRODUCT

CONFIGURATION

BOTANICA

BIFOLD WINDOW

2 LITE - SINGLE DIRECTION



Notice	Drawing Notice	Issue	Modification	Date	Date
<p>This drawing is confidential. This drawing and its copyright are the property of or to Trend Windows & Doors and must not be used, disclosed or reproduced in any form whatsoever except as authorised in writing.</p> <p>This drawing must be returned with quotation and/or completion of job as applicable</p>	<p>These are only a generic building in details to assist in the construction and installation of Trend Windows and Doors; please contact us for further information or enquiries.</p>	A	FIRST ISSUE	FEB 18	09 02 2018
					Revision
					A
					Drawn
					P.G.



RANGE

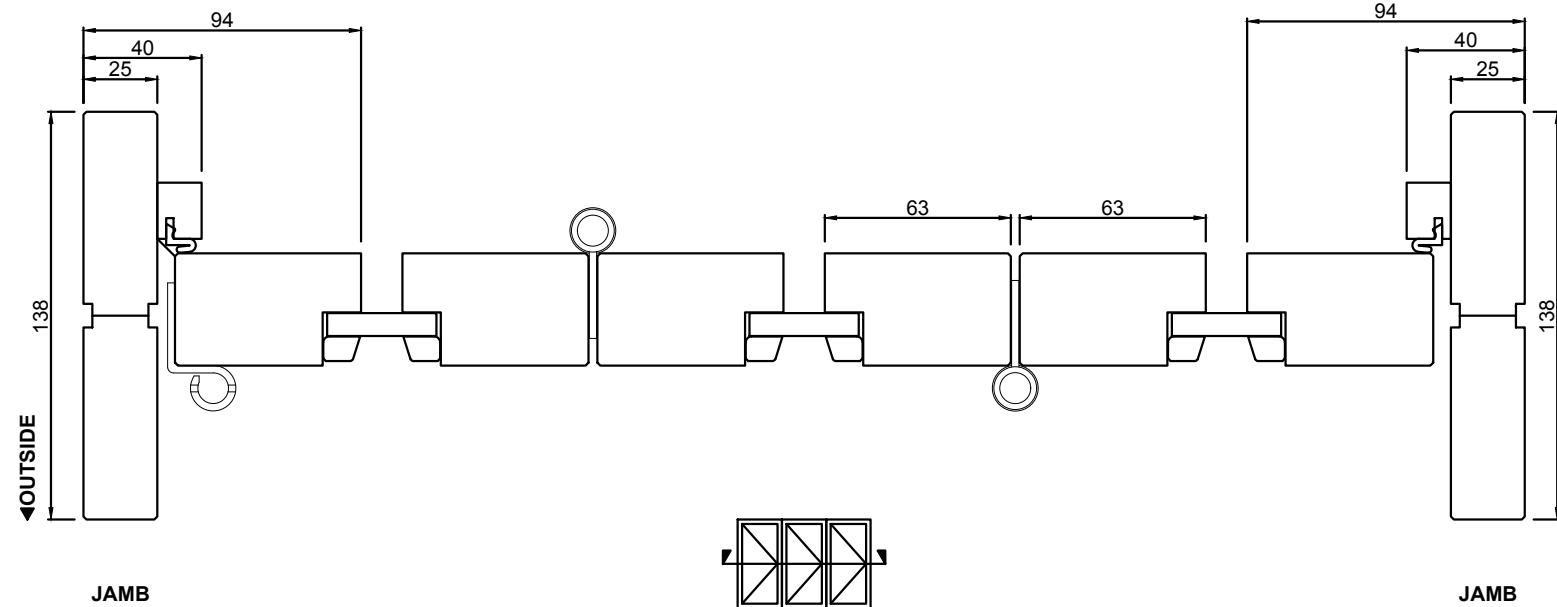
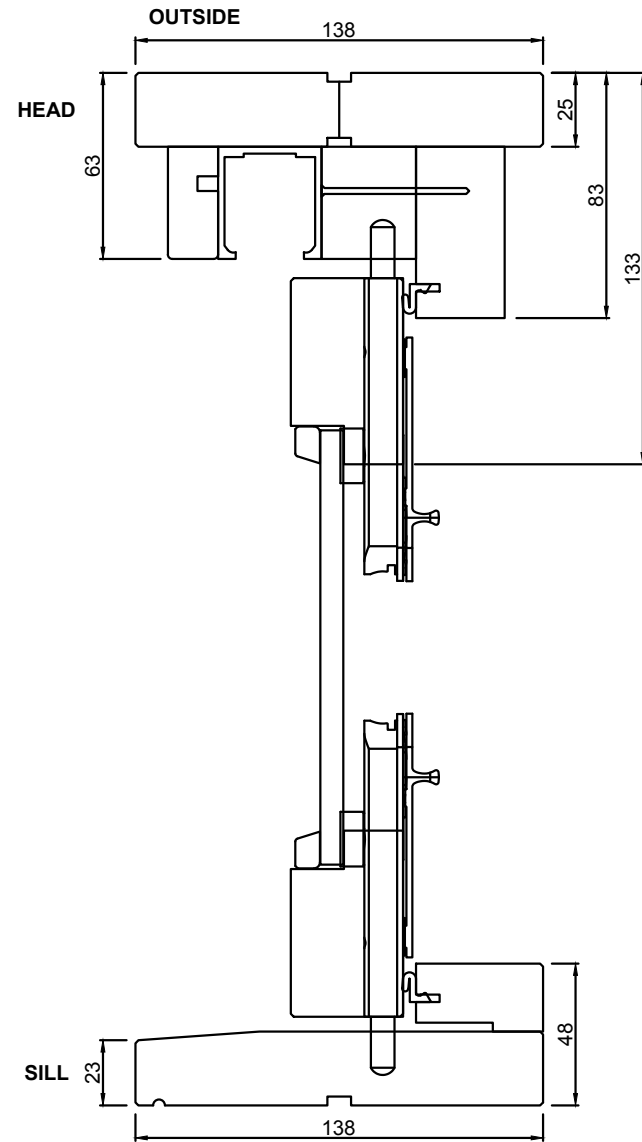
BOTANICA

PRODUCT

BIFOLD WINDOW

CONFIGURATION

3 LITE - SINGLE DIRECTION



Notice

This drawing is confidential. This drawing and its copyright are the property of or to Trend Windows & Doors and must not be used, disclosed or reproduced in any form whatsoever except as authorised in writing.

This drawing must be returned with quotation and/or completion of job as applicable

Drawing Notice

These are only a generic building in details to assist in the construction and installation of Trend Windows and Doors; please contact us for further information or enquiries.

Issue

A

Modification

FIRST ISSUE

Date

FEB 18

Date

09 02 2018

Revision

A

Drawn

P.G.



RANGE

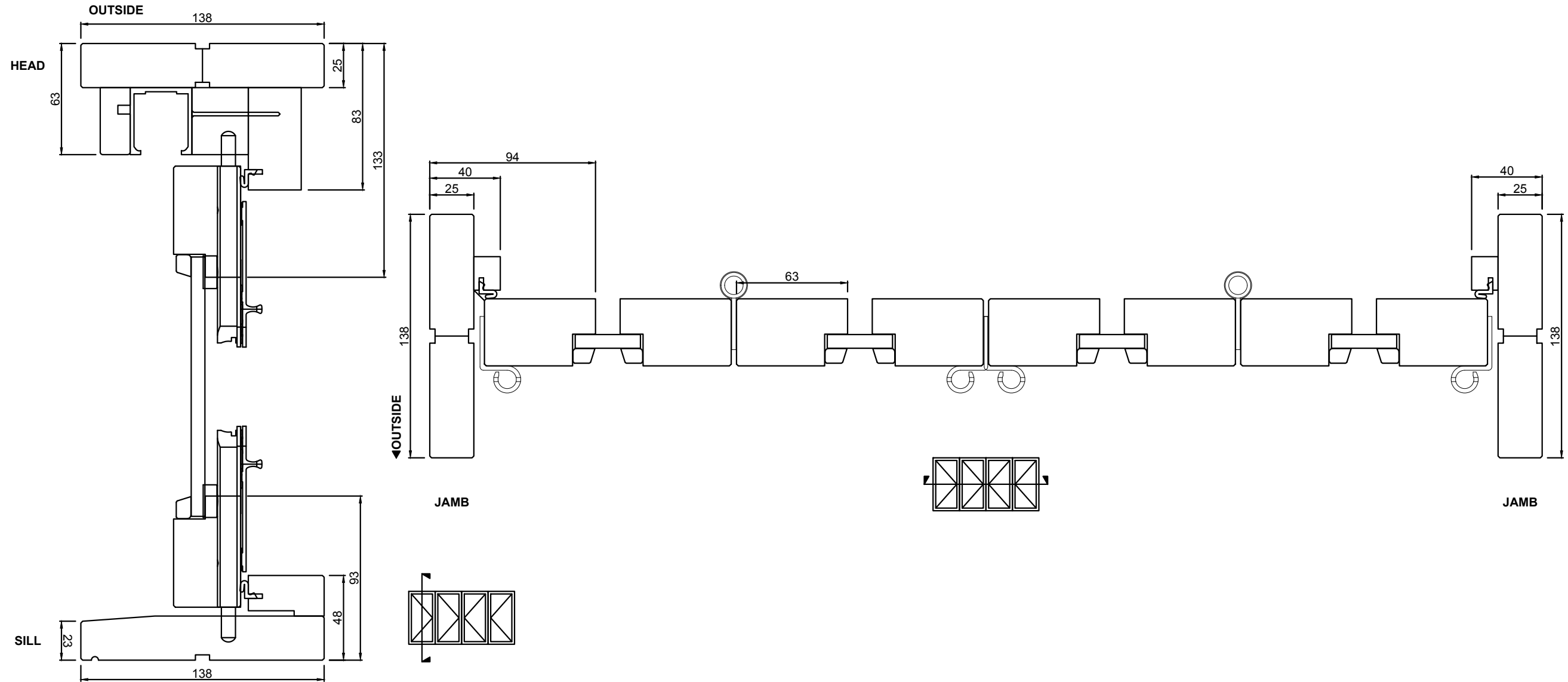
PRODUCT

CONFIGURATION

BOTANICA

BIFOLD WINDOW

4 LITE - OPPOSING DIRECTIONS - 2 + 2



Notice

This drawing is confidential. This drawing and its copyright are the property of or to Trend Windows & Doors and must not be used, disclosed or reproduced in any form whatsoever except as authorised in writing.

This drawing must be returned with quotation and/or completion of job as applicable

Drawing Notice

These are only a generic building in details to assist in the construction and installation of Trend Windows and Doors; please contact us for further information or enquiries.

Issue

A

Modification

FIRST ISSUE

Date

FEB 18

Date

09 02 2018

Revision

A

Drawn

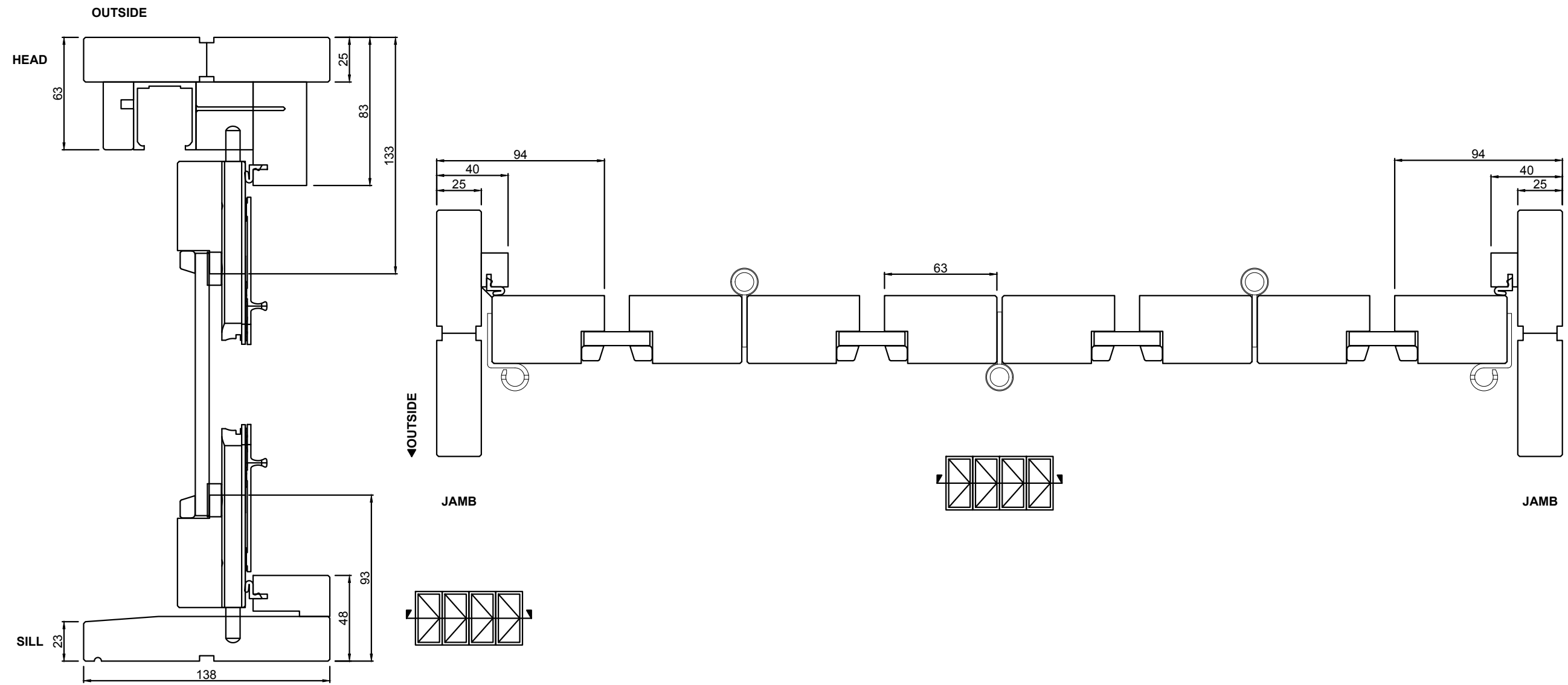
P.G.



RANGE
BOTANICA

PRODUCT
BIFOLD WINDOW

CONFIGURATION
4 LITE - SINGLE DIRECTION



Notice	Drawing Notice	Issue	Modification	Date	Date
<p>This drawing is confidential. This drawing and its copyright are the property of or to Trend Windows & Doors and must not be used, disclosed or reproduced in any form whatsoever except as authorised in writing.</p> <p>This drawing must be returned with quotation and/or completion of job as applicable</p>	<p>These are only a generic building in details to assist in the construction and installation of Trend Windows and Doors; please contact us for further information or enquiries.</p>	A	FIRST ISSUE	FEB 18	09 02 2018
					Revision
					A
					Drawn
					P.G.



RANGE

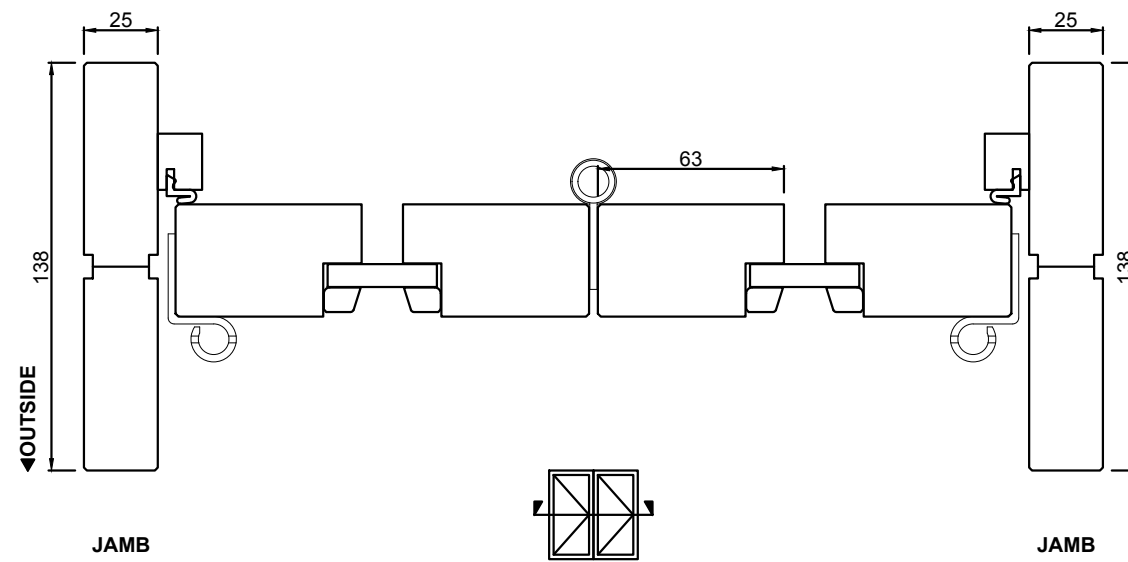
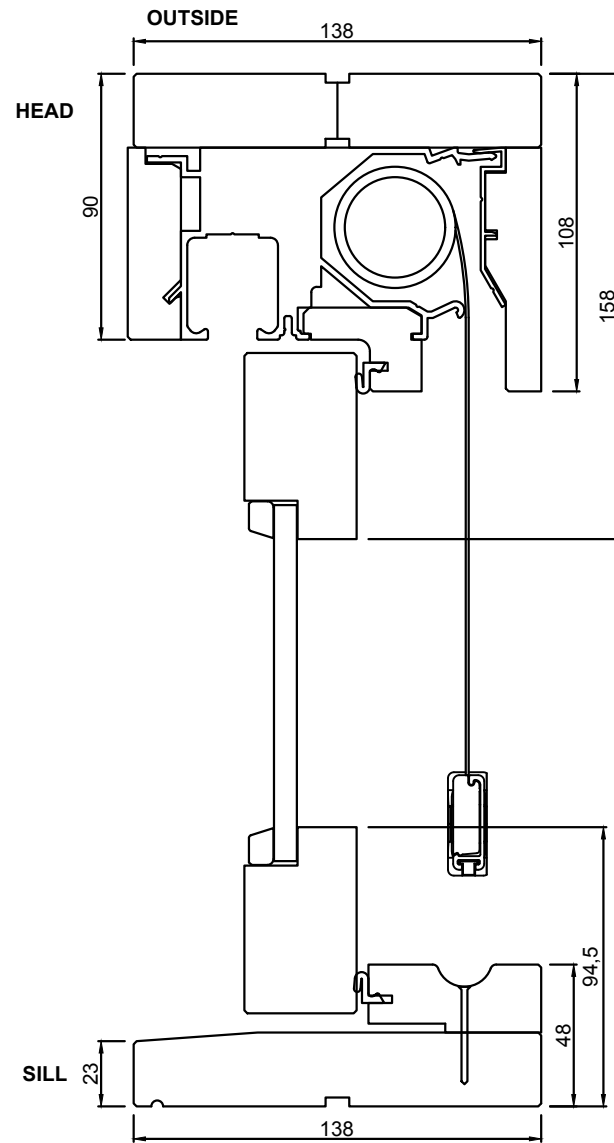
PRODUCT

CONFIGURATION

BOTANICA

BIFOLD WINDOW W/ CENTOR FLYSCREEN

2 LITE - SINGLE DIRECTION



Notice

This drawing is confidential. This drawing and its copyright are the property of or to Trend Windows & Doors and must not be used, disclosed or reproduced in any form whatsoever except as authorised in writing.

This drawing must be returned with quotation and/or completion of job as applicable

Drawing Notice

These are only a generic building in details to assist in the construction and installation of Trend Windows and Doors; please contact us for further information or enquiries.

Issue

A

Modification

FIRST ISSUE

Date

FEB 18

Date

09 02 2018

Revision

A

Drawn

P.G.



RANGE

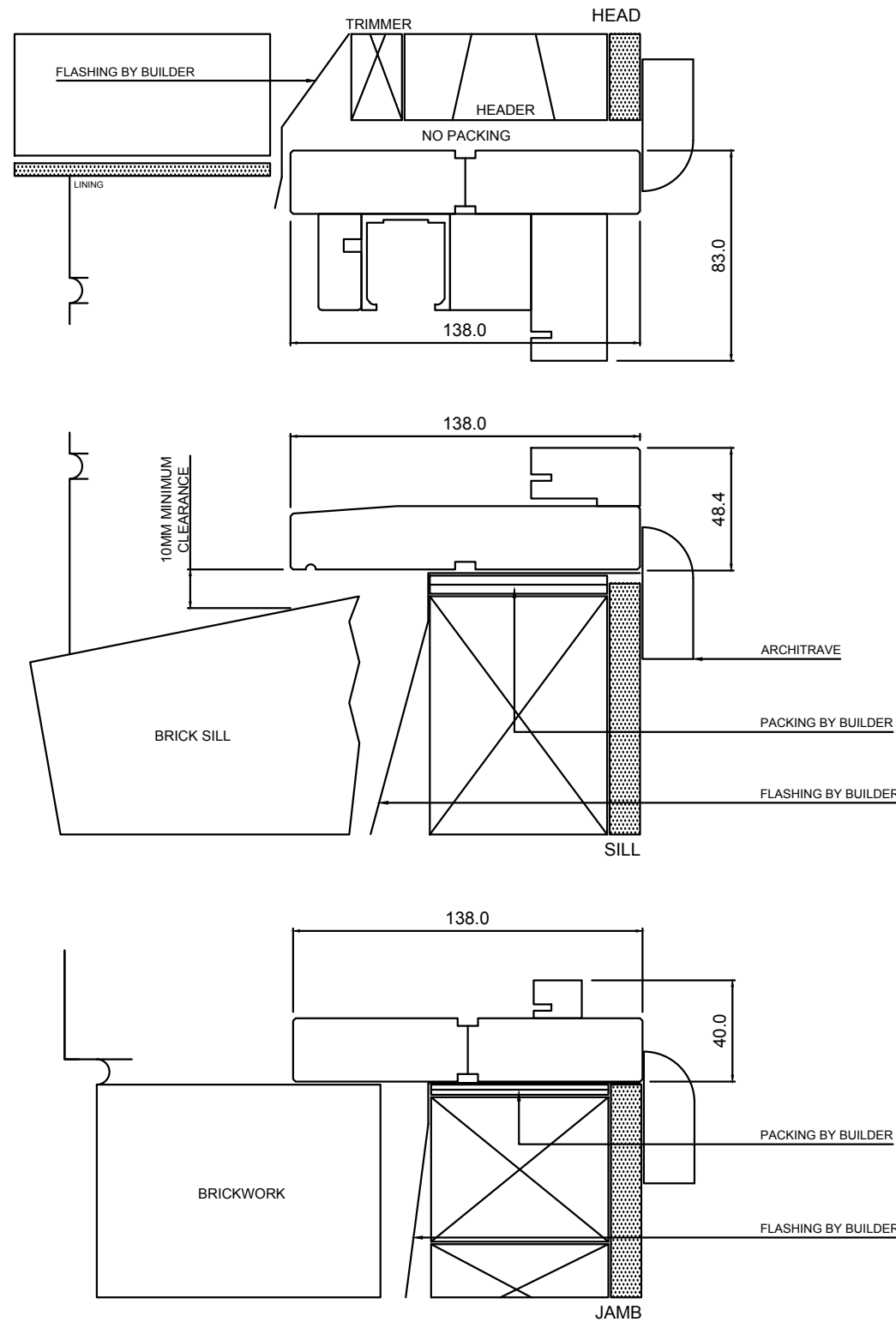
BOTANICA

PRODUCT

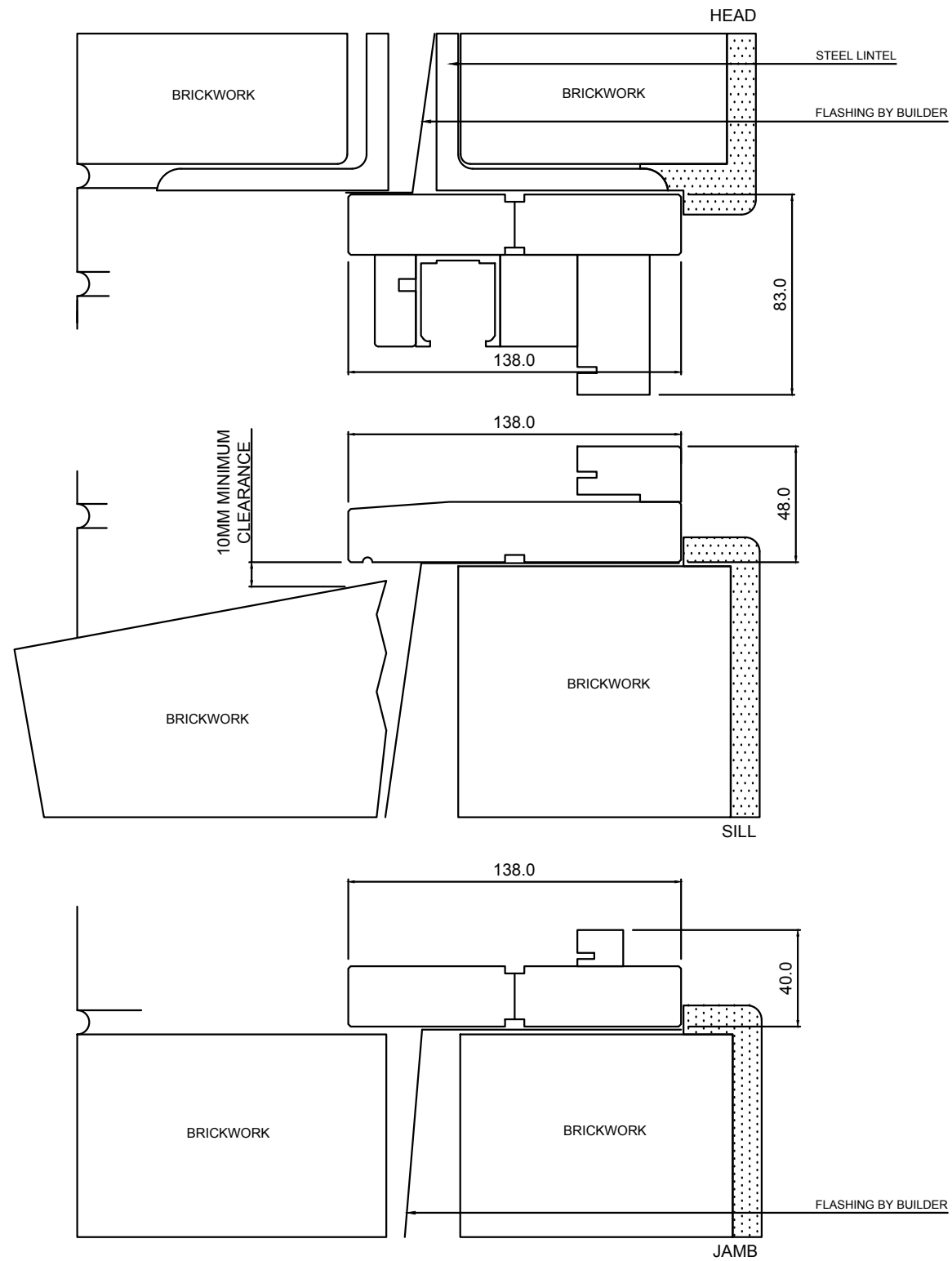
BIFOLD WINDOW

CONFIGURATION

BUILDING IN DETAIL - BRICK VENEER



<p>Notice</p> <p>This drawing is confidential. This drawing and its copyright are the property of or to Trend Windows & Doors and must not be used, disclosed or reproduced in any form whatsoever except as authorised in writing.</p> <p>This drawing must be returned with quotation and/or completion of job as applicable</p>	<p>Drawing Notice</p> <p>These are only a generic building in details to assist in the construction and installation of Trend Windows and Doors; please contact us for further information or enquiries.</p>	<p>Issue</p> <p>A</p>	<p>Modification</p> <p>FIRST ISSUE</p>	<p>Date</p> <p>APR 18</p>	<p>Date</p> <p>26 04 2018</p>	
					<p>Revision</p> <p>A</p>	
					<p>Drawn</p> <p>J.L</p>	



<p>Notice</p> <p>This drawing is confidential. This drawing and its copyright are the property of or to Trend Windows & Doors and must not be used, disclosed or reproduced in any form whatsoever except as authorised in writing.</p> <p>This drawing must be returned with quotation and/or completion of job as applicable</p>	<p>Drawing Notice</p> <p>These are only a generic building in details to assist in the construction and installation of Trend Windows and Doors; please contact us for further information or enquiries.</p>	<p>Issue</p> <p>A</p>	<p>Modification</p> <p>FIRST ISSUE</p>	<p>Date</p> <p>APR 18</p>	Date		
					26 04 2018		
					Revision	A	
					Drawn	J.L	
					J.L	J.L	

RANGE

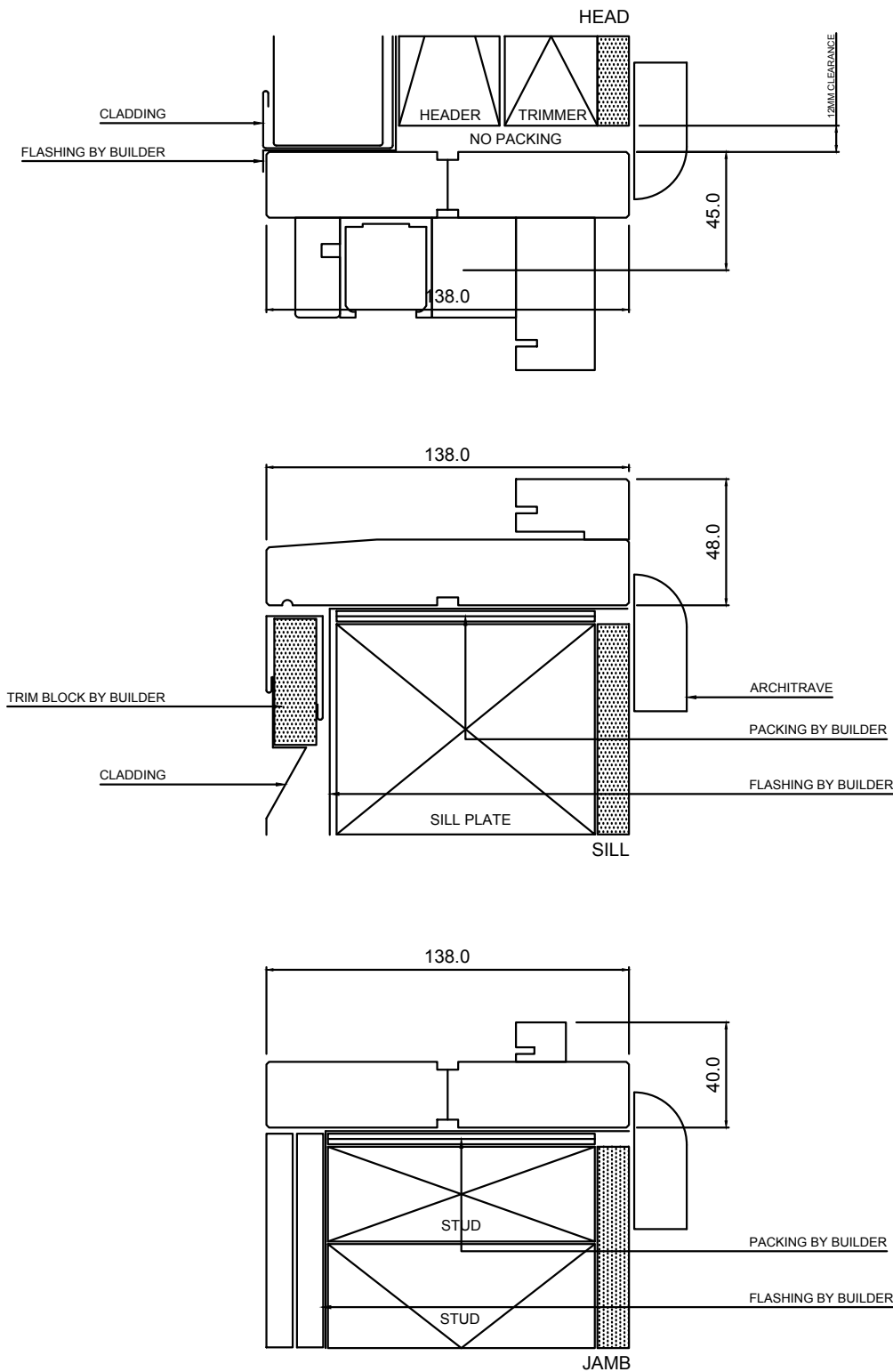
BOTANICA

PRODUCT

BIFOLD WINDOW

CONFIGURATION

BUILDING IN DETAIL - CLADDING



Notice

This drawing is confidential. This drawing and its copyright are the property of or to Trend Windows & Doors and must not be used, disclosed or reproduced in any form whatsoever except as authorised in writing.

This drawing must be returned with quotation and/or completion of job as applicable

Drawing Notice

These are only a generic building in details to assist in the construction and installation of Trend Windows and Doors; please contact us for further information or enquiries.

Issue

A

Modification

FIRST ISSUE

Date

APR 18

Date

26 04 2018

Revision

A

Drawn

J.L

