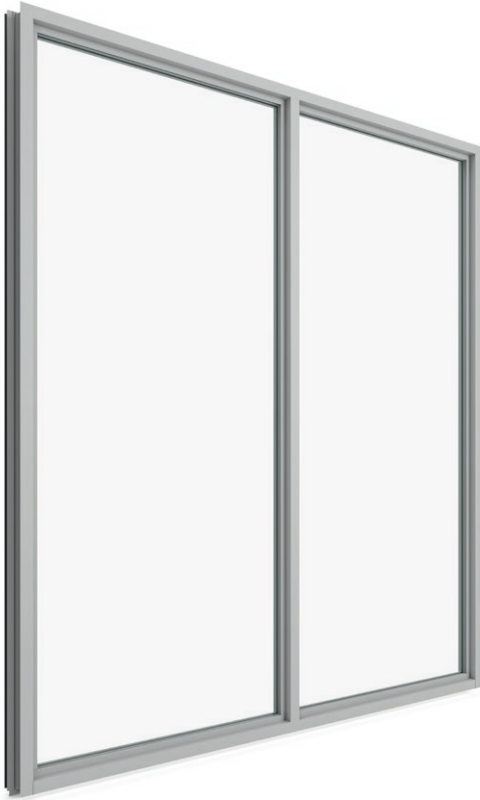
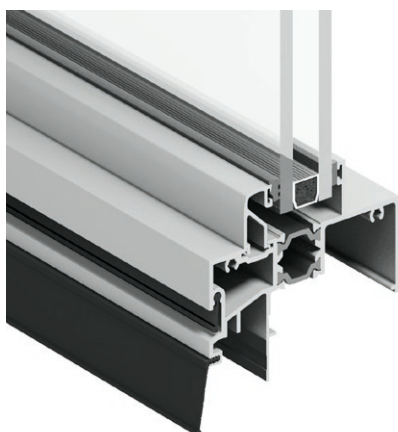


# THERMAARC FIXED WINDOWS



The ThermaArc fixed window is the perfect combination of energy performance and style, featuring U Values as low as 1.6 and large expanses of glazing of up to 5 square metres in a single lite. Available in a wide range of configurations to make achieving even the most complex design vision easy.



- Robust square modern frame and deeper sash help achieve bigger windows and better acoustics.
- Flexible internal and external finishing options for all styles and tastes.
- Compatible with different construction methods and materials.
- Thermally broken aluminium construction for durability, flexibility and energy performance.
- High performance, energy efficient double-glazing with thermally broken technology prevents heat transfer between inside and outside, reduces energy bills and offers year-round comfort.
- Available in a variety of configurations for greater flexibility and innovative designs.
- Externally glazed to make it easier to glaze larger panels on-site and reduce manual handling.
- Wide expanses of glass with 5 square metres of glass in a single lite.
- A range of glazing options to improve comfort, serenity, security and privacy.
- 20-24mm glazing pocket allows for bespoke high-performance energy efficient and acoustic glass.

#### **Thermally broken and energy efficient**

The thermally broken frames prevent heat transfer, improve energy efficiency, and offer low maintenance and durability.

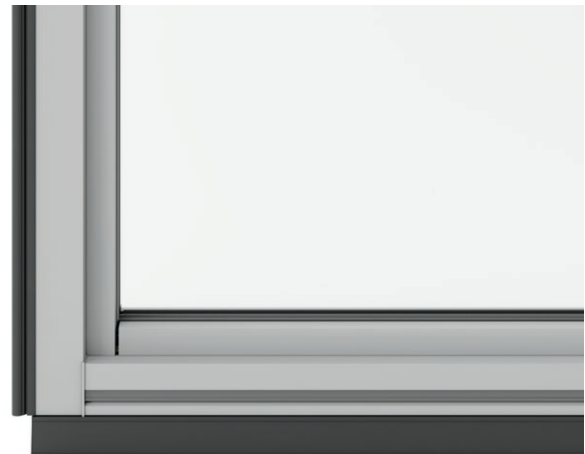
## Specifications

<b>Product</b>	<b>Fixed Window</b>
<b>Product series</b>	ThermaArc
<b>Frame profile</b>	88mm x 35mm
<b>Sill options</b>	N/A
<b>Max frame</b>	Single lite 5 sqm
<b>Max sash</b>	N/A
<b>Sash profile</b>	N/A
<b>Glazing</b>	20mm – 24mm Double glazing only
<b>BAL rating</b>	BAL40
<b>Seal type</b>	N/A
<b>Colour options</b>	Ultra Black, Pearl White, Surfmist and Monument
<b>Screen options</b>	N/A
<b>Hardware options</b>	N/A
<b>Installation options</b>	By builder
<b>Warranty</b>	10-year warranty

For full range of configurations and standard sizes refer to the standard size and range charts.

## Performance

<b>Acoustic performance</b>	
<b>Performance criteria</b>	<b>Glass type</b>
<b>RW33</b>	Double glazing – 4/12Ar/4
<b>RW37</b>	Double glazing – 4/10Ar/6.38 Lam
<b>RW37</b>	Double glazing – 4/10Ar/6.5 Vlam Hush
<b>RW38</b>	Double glazing – 6/8Ar/10.38 Lam
<b>RW40</b>	Double glazing – 4/8Ar/12.76 Lam
<b>Wind and water performance</b>	
<b>Performance criteria</b>	<b>Rating</b>
<b>SLS</b>	1200Pa
<b>ULS</b>	3000Pa
<b>Water</b>	450Pa
<b>N rating</b>	N4 Corner/N5
<b>Thermal performance</b>	
<b>Performance criteria</b>	<b>Rating</b>
<b>Double glazed Uw range</b>	1.6 – 2.7
<b>Double glazed SHGC range</b>	0.21 – 0.65



### **Bold modern frame**

Achieves larger window sizes and greater visual impact.