

QUANTUM GAS STRUT SERVERY WINDOWS



The Quantum Gas Strut Servery Window allows you to maximise your entertaining space by connecting your indoor and outdoor spaces. With a gentle push, these windows open outwards making them perfect for a breakfast bar or outdoor servery.

- High-performance heavy-duty gas struts and hinges.
- Suitable for sill and no sill application. Please note: The no sill option is not weatherproof and therefore not warranted for water ingress. We recommend the no sill option to be installed under the main roof in a covered location, i.e. alfresco areas.
- Top-mounted hinges enable window opening to a 90-degree angle.
- Featuring twin bolts/flush bolts for easy locking. Key lockable option available.
- The locking system bolts to the frame, avoiding the need to cut holes in your bench material.
- Available in single and double glazing.
- Compatible with a retractable flyscreen.



Heavy-duty gas struts

Effortlessly smooth opening by high-performance gas struts.

QUANTUM GAS STRUT SERVERY WINDOWS

Specifications

Product	Gas strut servery windows
Product series	Quantum
Frame profile	102mm x 25mm
Sill option	102mm No sill option available – not water rated, please see note below
Max frame	1800mm high, 2400mm wide
Max sash	1765mm high, 2345mm wide, max weight 70kg
Sash profile	Stiles – 100mm, rails – 60mm
Glazing	4mm – 24mm Single and double glazing
BAL rating	N/A
Seal type	Aquamac
Colour options	Available in powdercoat colours from the Trend Standard, Designer and Textura ranges.
Screen options	Internal retractable screen
Hardware	Channel wireless wall mounted switch Channel wireless remote control Stainless Steel mounting and latch hardware with anodised struts
Installation options	By builder
Warranty	10-year warranty

Performance

Acoustic performance	
Performance criteria	Glass type
RW34	6.76mm Laminate
RW35	8.76mm Laminate
RW35	10.76mm Laminate
RW36	12.76mm Laminate
Wind and water performance	
Performance criteria	Rating
SLS	600Pa
ULS	1400Pa
Water	150Pa
N rating	N3
Thermal performance	
Performance criteria	Rating
Single glazed Uw range	6.5 – 5.4
Single glazed SHGC range	0.38 – 0.51
Double glazed Uw range	4.6 – 4.1
Double glazed SHGC range	0.30 – 0.45

No sill option available – not water rated

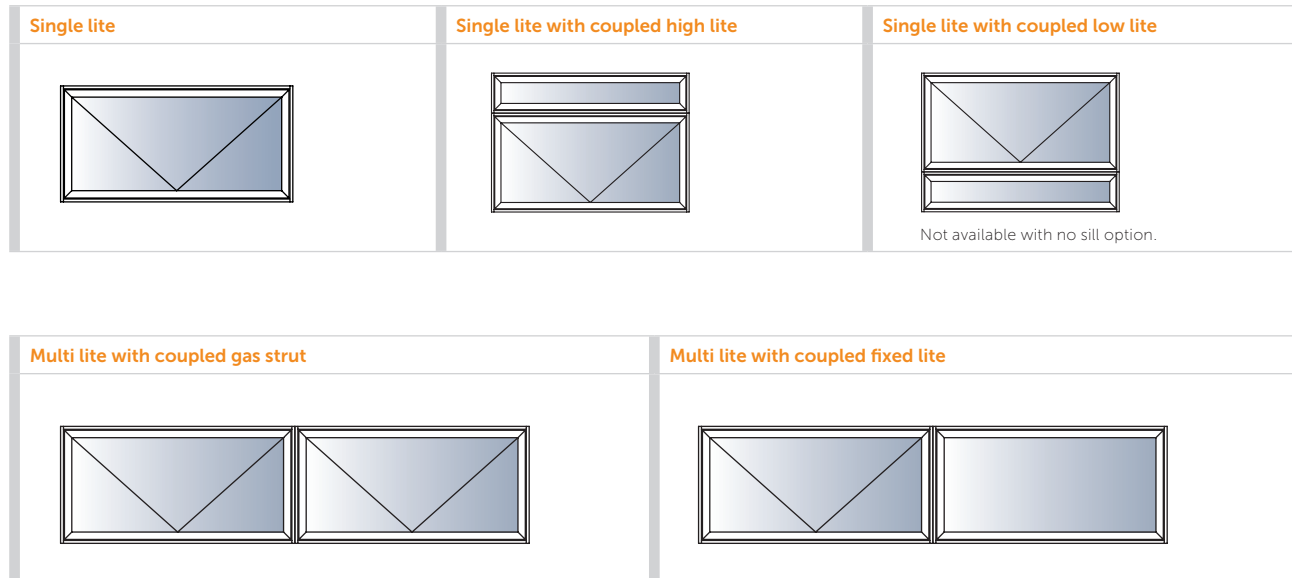


Flush benchtops

No sill option allows for continuous flow of benchtop.

QUANTUM GAS STRUT SERVERY WINDOWS

Configurations



Typical configurations shown above. Our team can assess the suitability of configurations to suit your project's design requirements.

Hardware



Infinity window handle