

Trend Aluminium[®]

Sliding Stacker Door

TECHNICAL DATA

Features & Benefits

Size Range

Ordering Details

Installation

Cross Sectional Views

Features & Benefits - NSW/ACT

Trend® Sliding Stacker Door

1 Energy Efficiency Options

Trend® Thermashield® in various glazing styles are available to help reduce energy consumption. Trend® Thermashield® means greater control, bigger savings and most importantly one less thing to worry about. Energy efficient options to u-value of 3.0 and SHGC 0.41 are available for Trend® Sliding Stacker Door.

2 Acoustic Options

SoundMizer® acoustic solutions in various STC ratings, are available to STC 38 for Trend® Sliding Stacker Door. SoundMizer® acoustic solutions can reduce aircraft, highway traffic, railway and other annoying noise problems.

For information or technical details contact Trend®.

3 Locks

Sliding doors are fitted with standard lock and can be upgraded. Ask your Trend® Sales Consultant for options.

4 Safety Glazing

Toughened Safety A Grade Glass with a visual motif at the mid point to provide added safety. Laminated Glass is used in all non standard door sizes. Glass sits into the extrusion door glazing pocket up to 13mm.

Double Glazing is available for energy efficiency requirements.

5 Protected Rolling Track

An extruded aluminium splayed threshold protects both glass door and flydoor rolling tracks.

6 Simple Access

The aluminium threshold features the Easyrider™ sill which is ideal for wheelchair access.

7 Heavy Duty Rollers

Trend® door uses a heavy duty roller system for smooth operation.

Glass door panels roll on heavy duty adjustable acetal wheels, that are perfectly matched to the sill rail to ensure efficient running. The marine alloy aluminium carriage reduces the chance of corrosion ensuring a long and smooth operation.

8 Frames

Trend® Door frame is 162mm wide (including flyscreen track) with the slimline sash. The sash has aesthetically pleasing lines and a smooth rounded profile that has a truly solid look.

Maximum Door Height is 2400mm
Maximum Panel Width is 1500mm
Maximum Door Width - 3 lites 4500mm
Maximum Door Width - 6 lites is 6400mm

9 Interlockers

Three types of interlockers are available depending on the structural pascal ratings. Trend® Sliding Door ultimate structural rating is 1500 pascals (kPa).

10 Optional Heavy Duty Barrier and Insect Screen Door

The sturdy extruded aluminium, external sliding flydoor is fitted with spring loaded acetal wheels that ensure the insect screen door stays on the track and opens smoothly.

11 Complementary Accessories

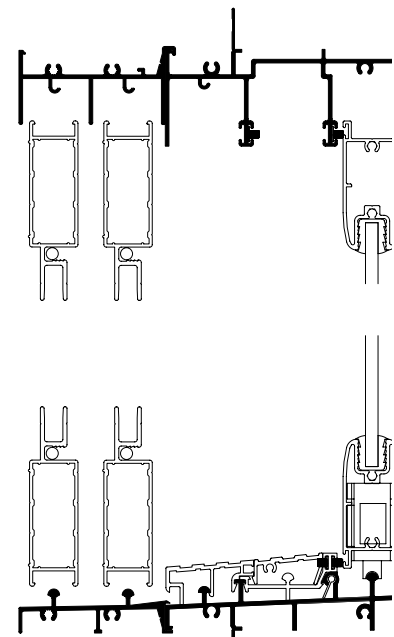
- 180° non-load-bearing couplers.
- 135° non-load-bearing corner couplers.
- 100mm aluminium architraves for replacement door installations
- Adjustable aluminium storm mould.
- Extruded aluminium 180° mullion covers to hide load-bearing posts.

12 Options

Colonial Bar, Federation Bar Layouts and Ovolo adaptor are available.

Easy to fit flyscreens.

Wide range of powdercoat finishes including Timber finishes available.



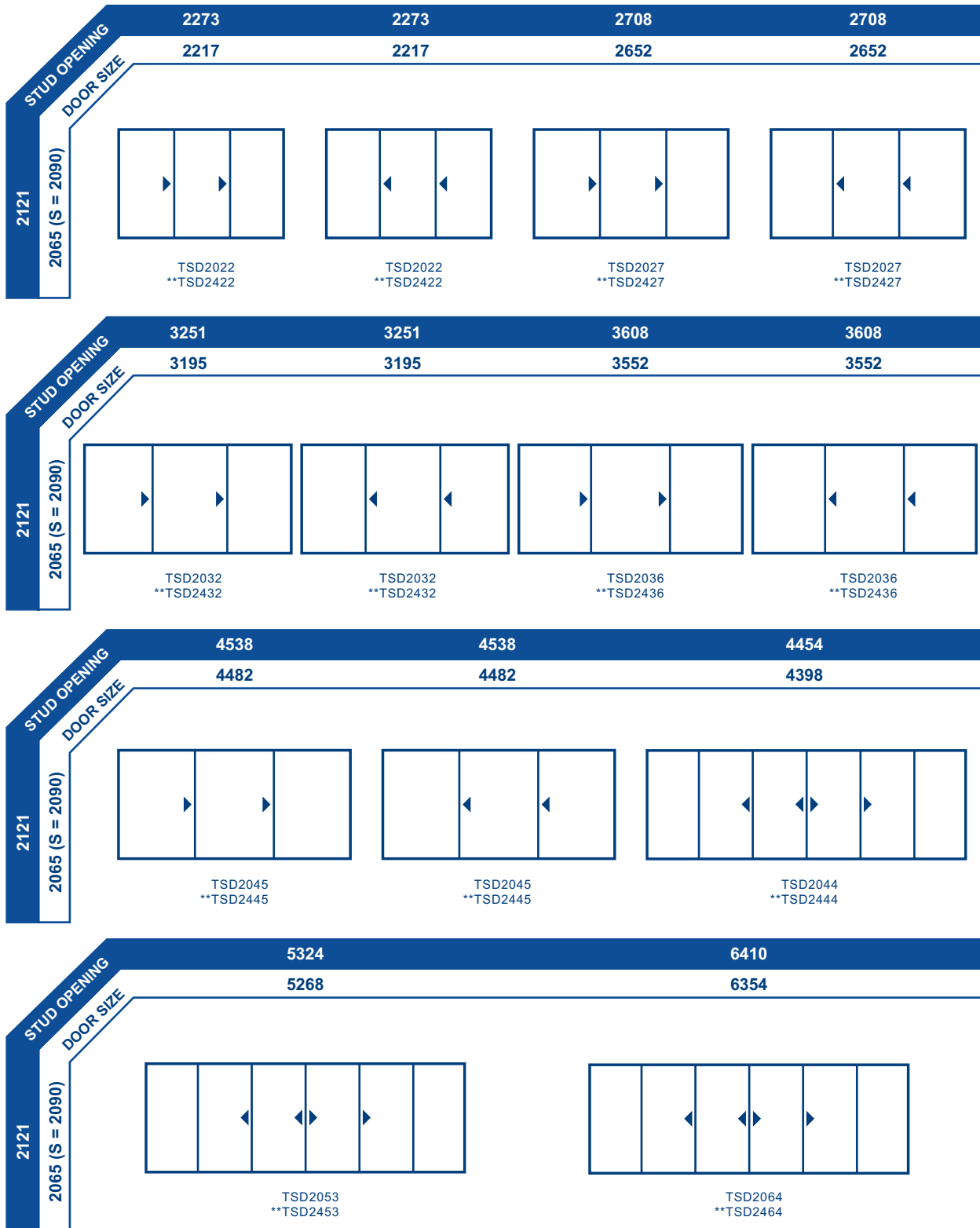
Please note that drawings are not to scale

Trend® Sliding Stacker Door | TSD | Mk-4 | 1 Jul 2009

Confidentiality Notice: This document and the information it contains are copyright and confidential to Trend® Windows & Doors Pty Limited. Disclosure, use and copying in any form whatsoever, except as authorised by Trend® Windows & Doors in writing, are strictly prohibited. Patents and Design Registrations pending.

Size Range - NSW/ACT

Trend® Sliding Stacker Door



All windows and doors are designed to 700pa velocity and 150pa water rating. For higher ratings consult Trend® Windows & Doors

Please note that drawings are not to scale

Trend® Sliding Stacker Door | TSD | Mk-4 | 1 Jul 2009

Confidentiality Notice: This document and the information it contains are copyright and confidential to Trend® Windows & Doors Pty Limited. Disclosure, use and copying in any form whatsoever, except as authorised by Trend® Windows & Doors in writing, are strictly prohibited. Patents and Design Registrations pending.

Ordering Details - NSW/ACT

Trend® Sliding Stacker Door

All doors are illustrated as viewed from outside. Codes shown are for plain doors. The first two numbers of code indicate approximate height, the last two numbers indicate approximate width.

Sash Style Options:

Standard option, eg door code TSD2022
 O indicates ovolo sash style, eg door code TOSD2022
 T indicates Thermashield® double glazed sash style, eg door code TTSD2022
 M indicates Acoustic sash style (SoundMizer®), eg door code TMSD2018
 S indicates Sump Sill, eg door code TSSD2018

Bar Options:

CL indicates Colonial Bar, eg door code TSD2022CL
 FD indicates Federation Bar, eg door code TSD2022FD

Configuration Options:

XXF indicates Sliding/Sliding/Fixed
 FXX indicates Fixed/Sliding/Sliding
 FXXXXF indicates Fixed/Sliding/Sliding/Sliding/Fixed

General:

Black hardware is supplied as standard
 Low profile sill supplied as standard
 The sill must be level side to side

and front to back and fully supported during and after construction

Note:

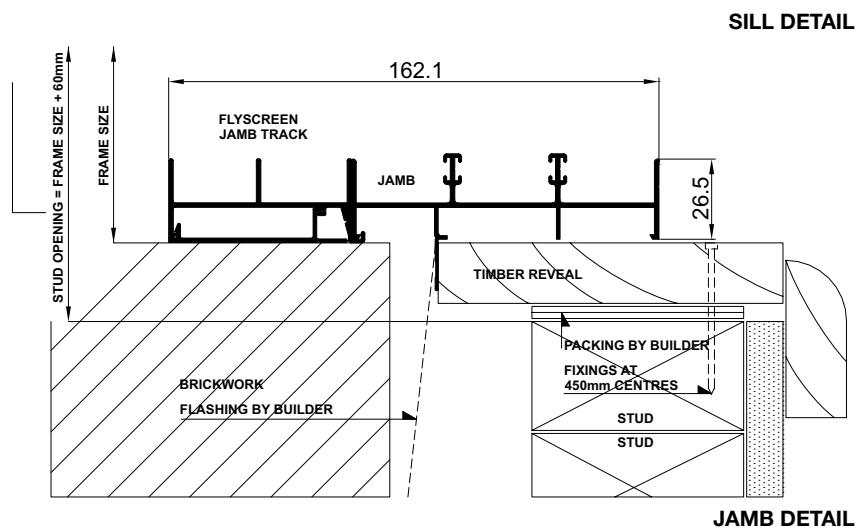
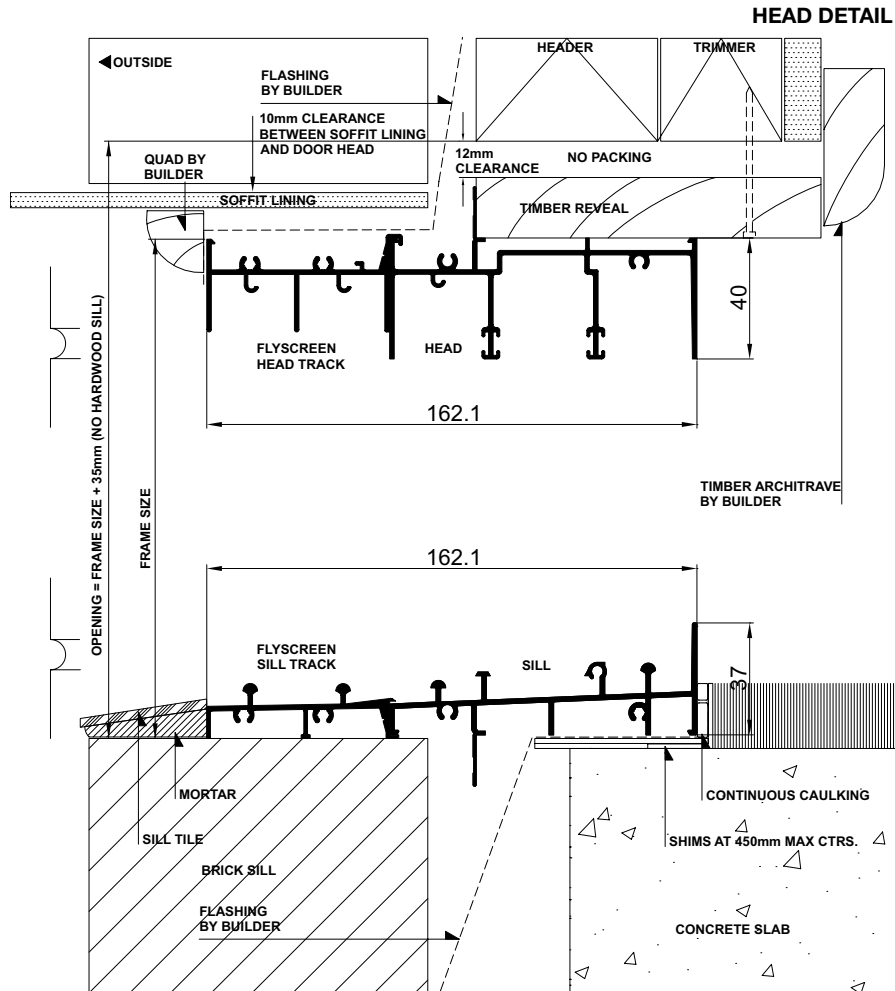
The aluminium sill and external brick skin must be separated with an isolator to prevent possible reaction between brick and mortar and the aluminium frame which can lead to crevice corrosion.

** Refers to 2400 Frame Height

NOTE: Trend Sliding Stacker Door not available in Victoria/South Australia

Installation

Trend® Sliding Stacker Door | Building In Detail | **Brick Veneer - 230mm wall**



JAMB DETAIL

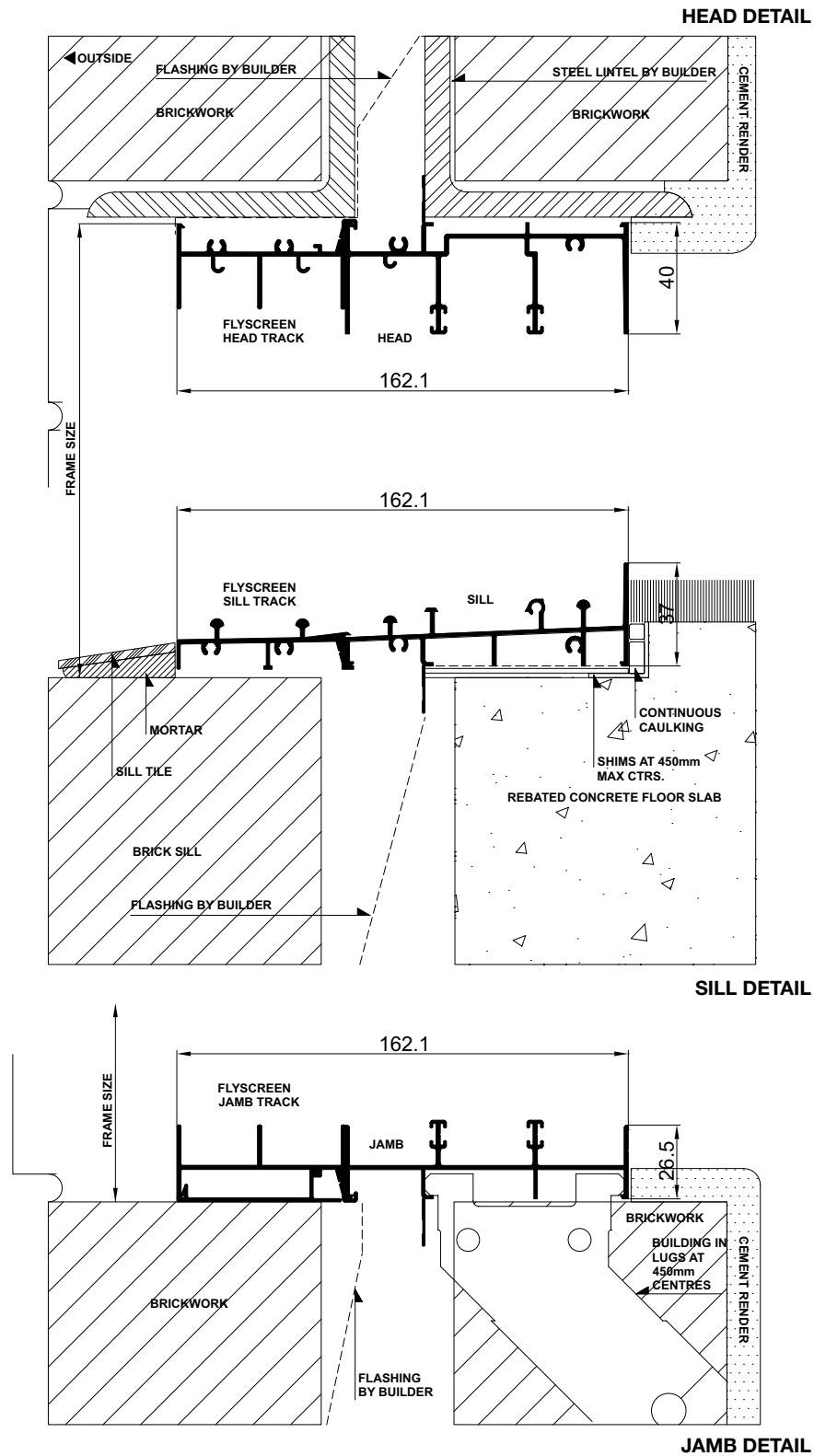
Please note that drawings are not to scale

Trend® Sliding Stacker Door | TSD | Mk-4 | 1 Jul 2009

Confidentiality Notice: This document and the information it contains are copyright and confidential to Trend® Windows & Doors Pty Limited. Disclosure, use and copying in any form whatsoever, except as authorised by Trend® Windows & Doors in writing, are strictly prohibited. Patents and Design Registrations pending.

Installation

Trend® Sliding Stacker Door | Building In Detail | **Double Brick - 280mm wall**



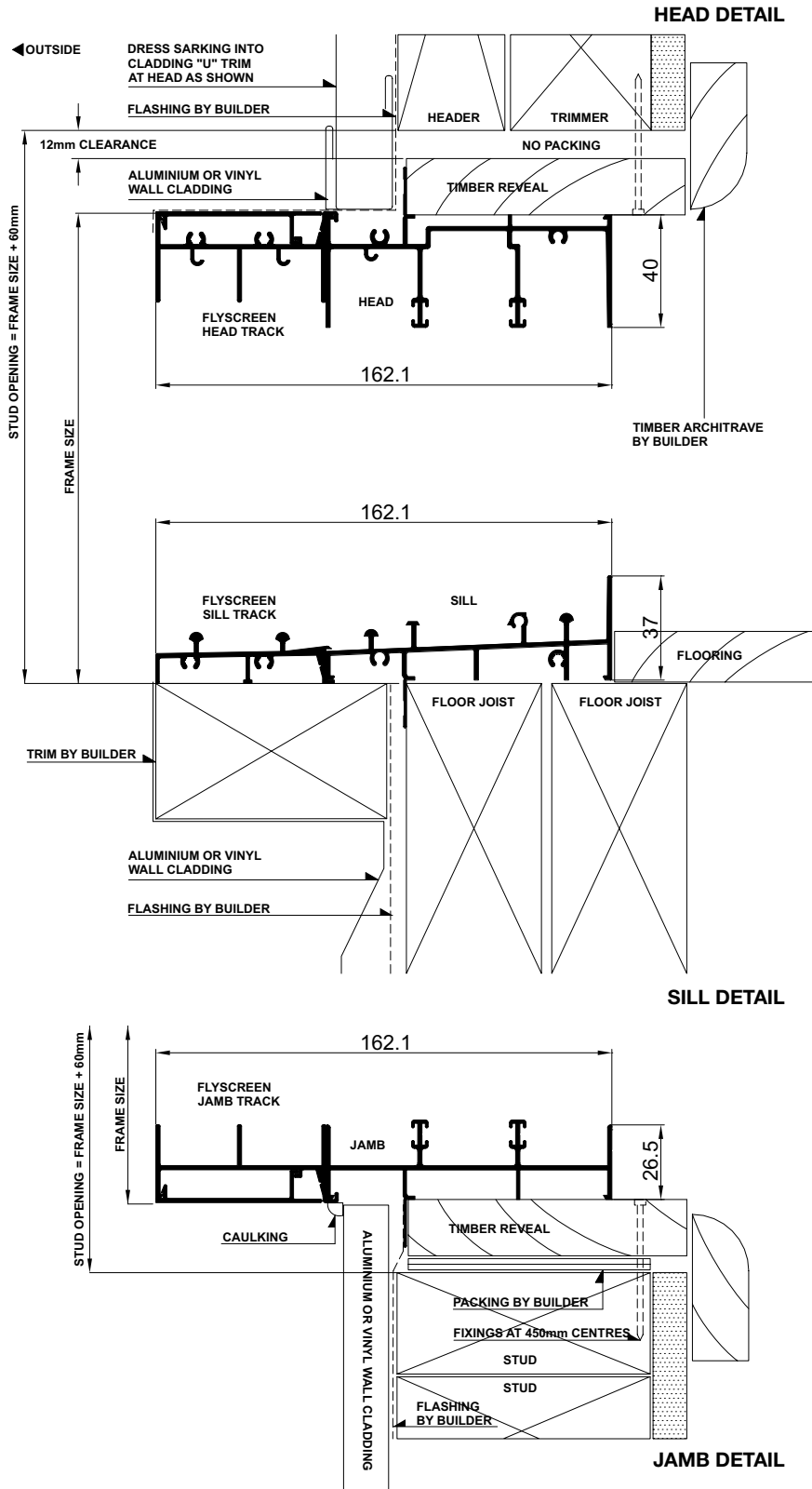
Please note that drawings are not to scale

Trend® Sliding Stacker Door | TSD | Mk-4 | 1 Jul 2009

Confidentiality Notice: This document and the information it contains are copyright and confidential to Trend® Windows & Doors Pty Limited. Disclosure, use and copying in any form whatsoever, except as authorised by Trend® Windows & Doors in writing, are strictly prohibited. Patents and Design Registrations pending.

Installation

Trend® Sliding Stacker Door | Building In Detail | **Aluminium Cladding on Studs**

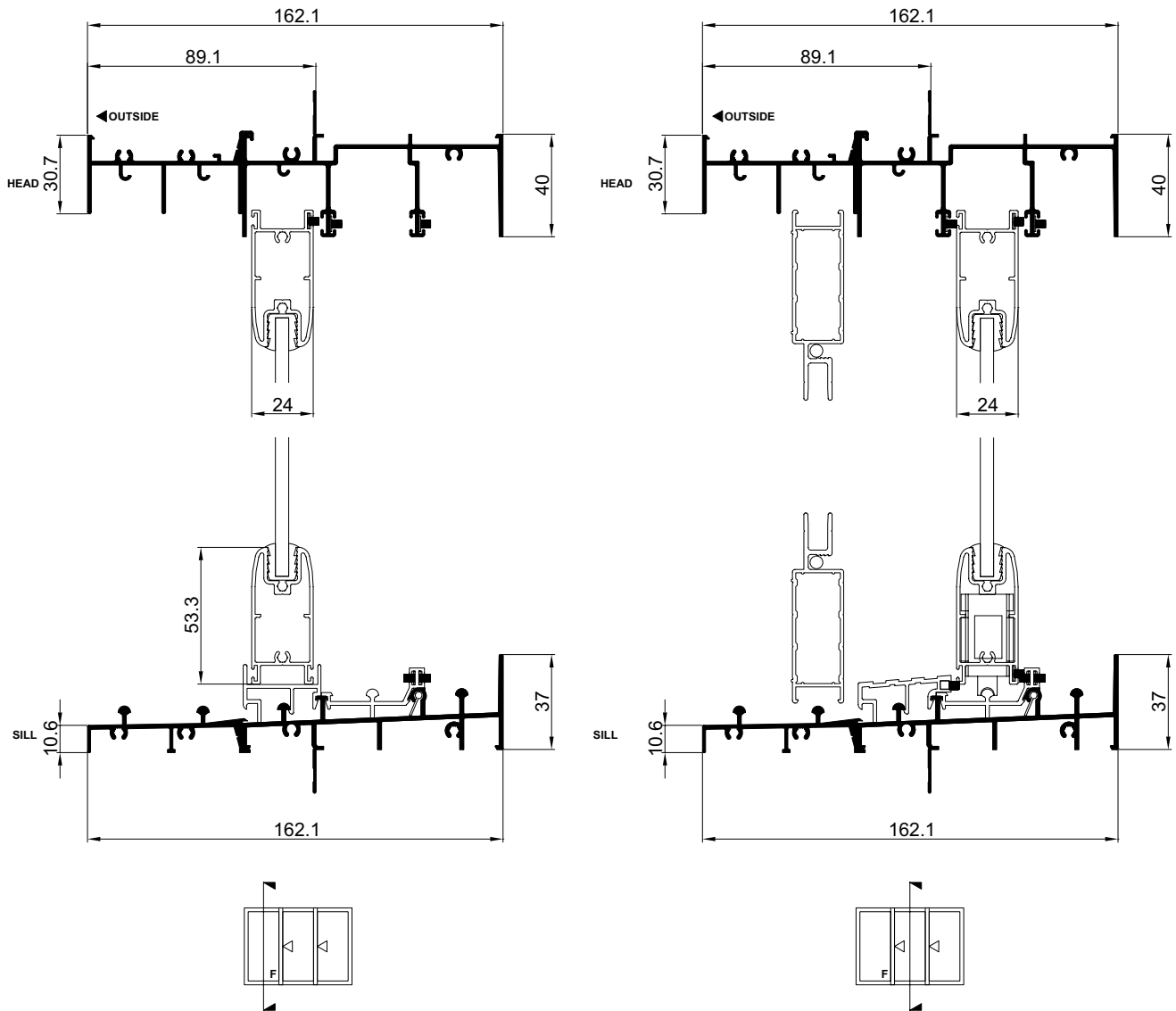


Please note that drawings are not to scale

Trend® Sliding Stacker Door | TSD | Mk-4 | 1 Jul 2009

Cross Sectional Views

Trend® Sliding Stacker Door | **Three Lite (FXX)**



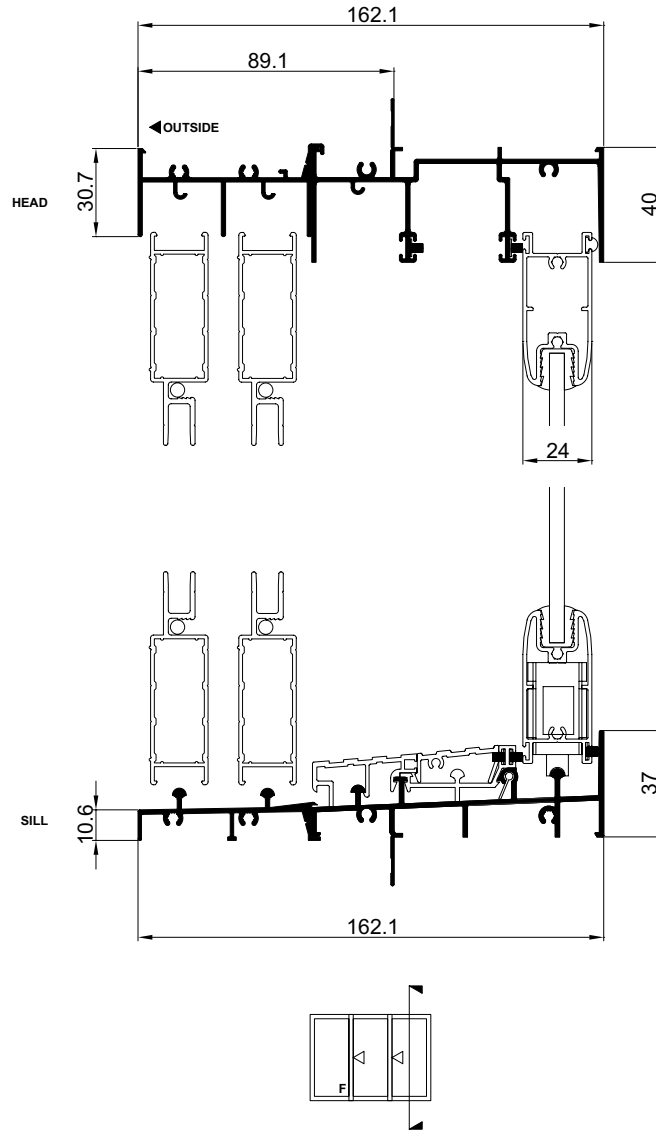
Please note that drawings are not to scale

Trend® Sliding Stacker Door | TSD | Mk-4 | 1 Jul 2009

Confidentiality Notice: This document and the information it contains are copyright and confidential to Trend® Windows & Doors Pty Limited. Disclosure, use and copying in any form whatsoever, except as authorised by Trend® Windows & Doors in writing, are strictly prohibited. Patents and Design Registrations pending.

Cross Sectional Views

Trend® Sliding Stacker Door | **Three Lite (FXX)**



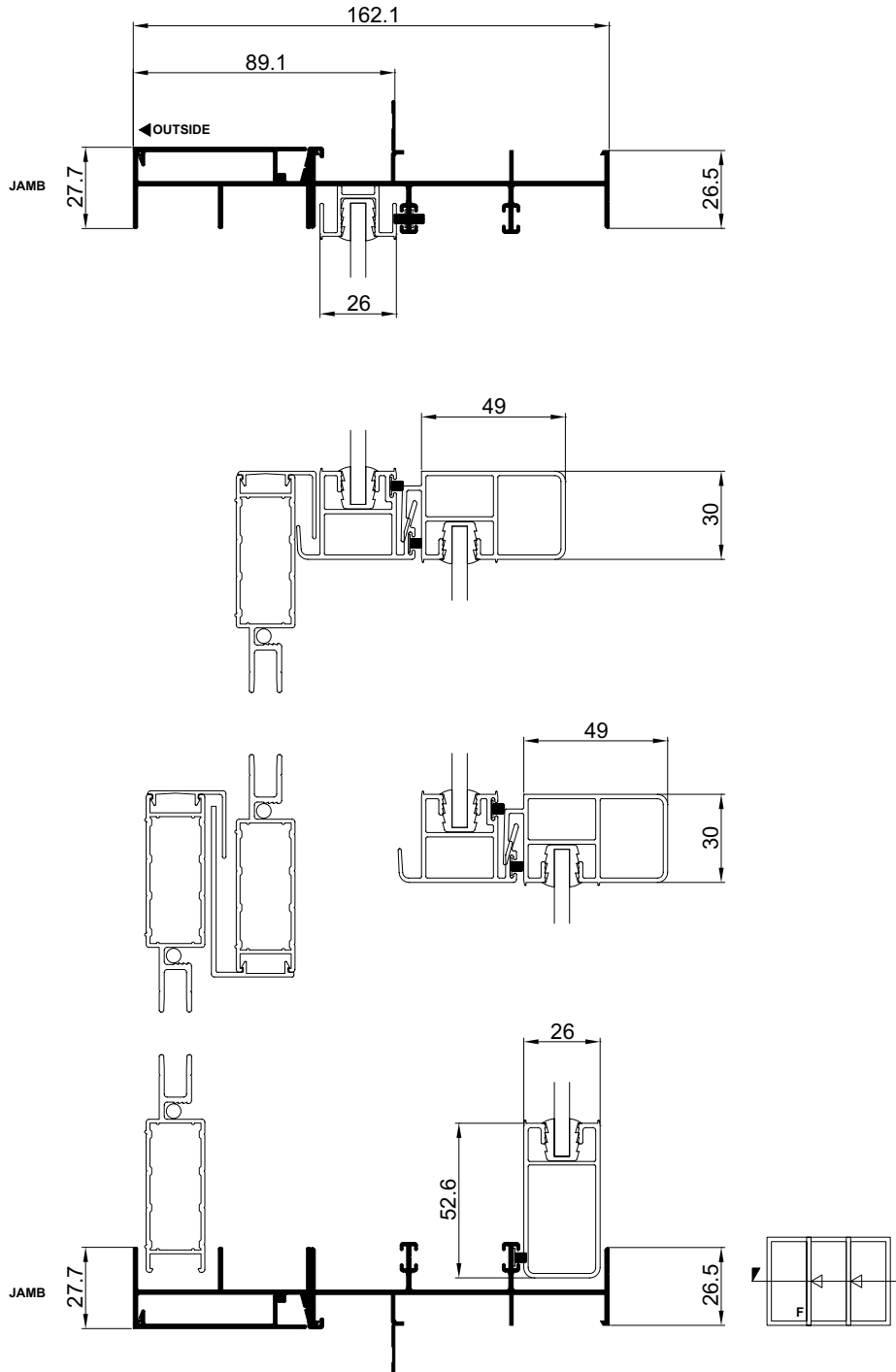
Please note that drawings are not to scale

Trend® Sliding Stacker Door | TSD | Mk-4 | 1 Jul 2009

Confidentiality Notice: This document and the information it contains are copyright and confidential to Trend® Windows & Doors Pty Limited. Disclosure, use and copying in any form whatsoever, except as authorised by Trend® Windows & Doors in writing, are strictly prohibited. Patents and Design Registrations pending.

Cross Sectional Views

Trend® Sliding Stacker Door | **Three Lite (FXX)**



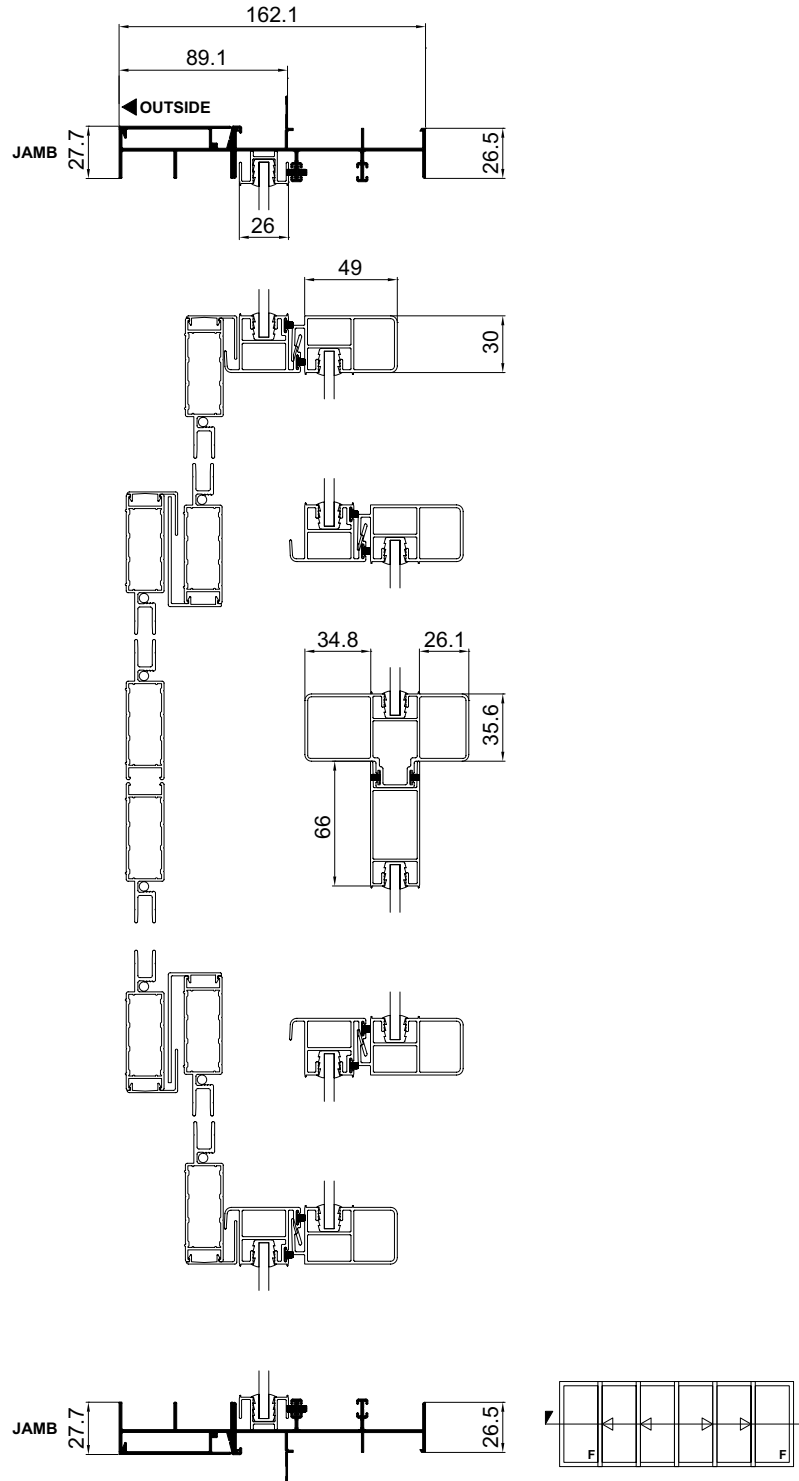
Please note that drawings are not to scale

Trend® Sliding Stacker Door | TSD | Mk-4 | 1 Jul 2009

Confidentiality Notice: This document and the information it contains are copyright and confidential to Trend® Windows & Doors Pty Limited. Disclosure, use and copying in any form whatsoever, except as authorised by Trend® Windows & Doors in writing, are strictly prohibited. Patents and Design Registrations pending.

Cross Sectional Views

Trend® Sliding Stacker Door | **Six Lite (FXXXXF)**



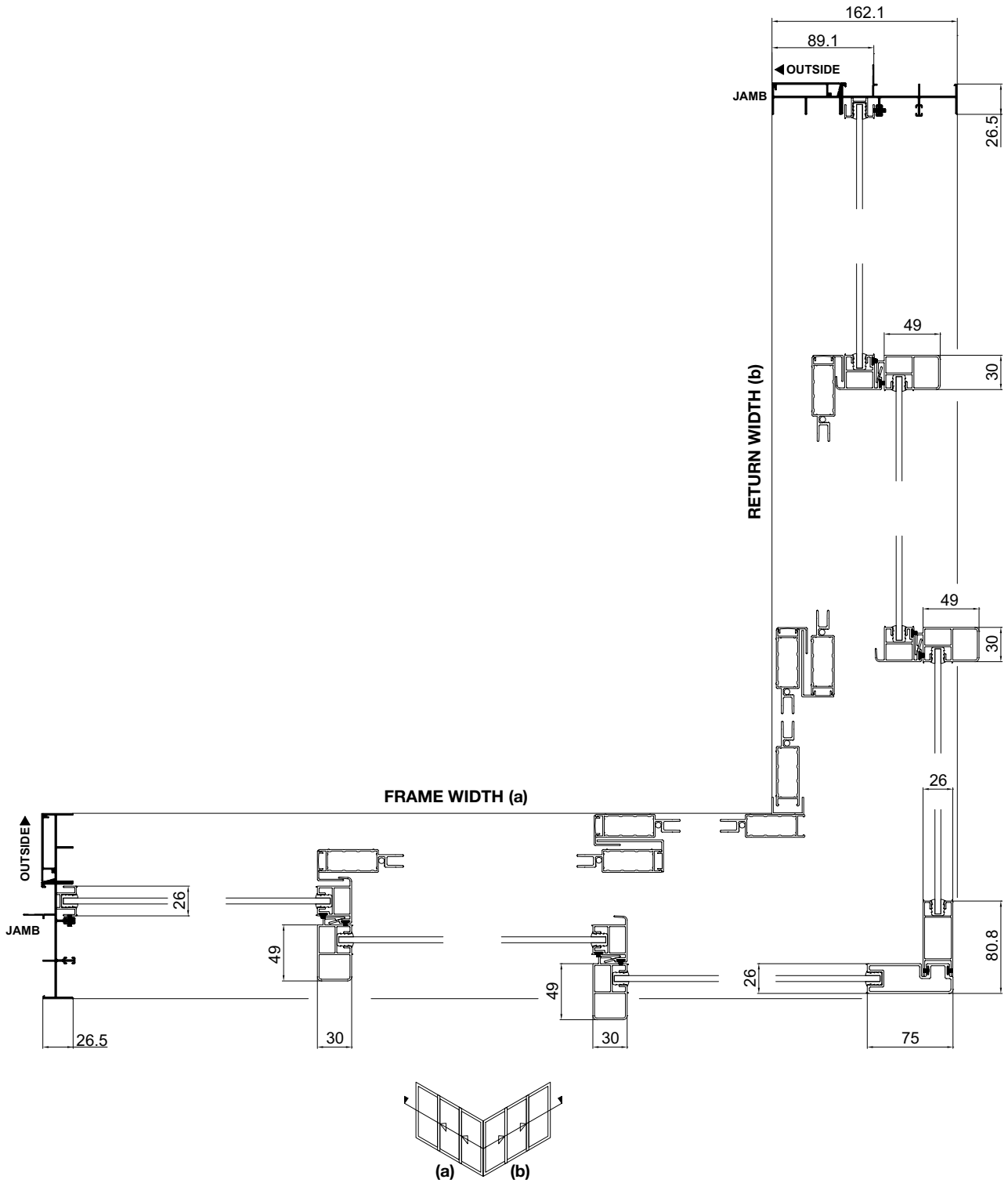
Please note that drawings are not to scale

Trend® Sliding Stacker Door | TSD | Mk-4 | 1 Jul 2009

Confidentiality Notice: This document and the information it contains are copyright and confidential to Trend® Windows & Doors Pty Limited. Disclosure, use and copying in any form whatsoever, except as authorised by Trend® Windows & Doors in writing, are strictly prohibited. Patents and Design Registrations pending.

Cross Sectional Views

Trend® Sliding Stacker Door | 3x3 Internal Corner



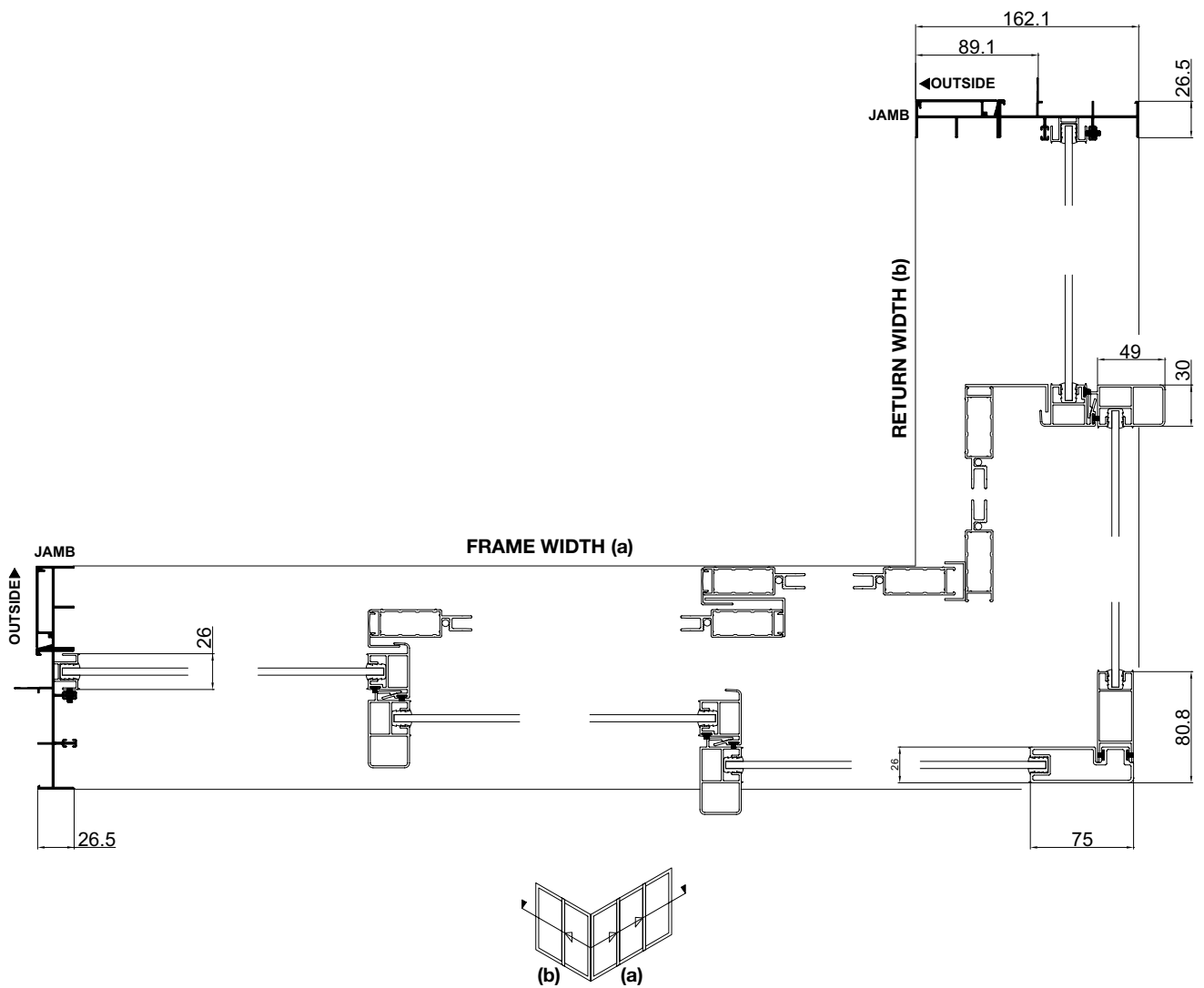
Please note that drawings are not to scale

Trend® Sliding Stacker Door | TSD | Mk-4 | 1 Jul 2009

Confidentiality Notice: This document and the information it contains are copyright and confidential to Trend® Windows & Doors Pty Limited. Disclosure, use and copying in any form whatsoever, except as authorised by Trend® Windows & Doors in writing, are strictly prohibited. Patents and Design Registrations pending.

Cross Sectional Views

Trend® Sliding Stacker Door | 3x2 Internal Corner



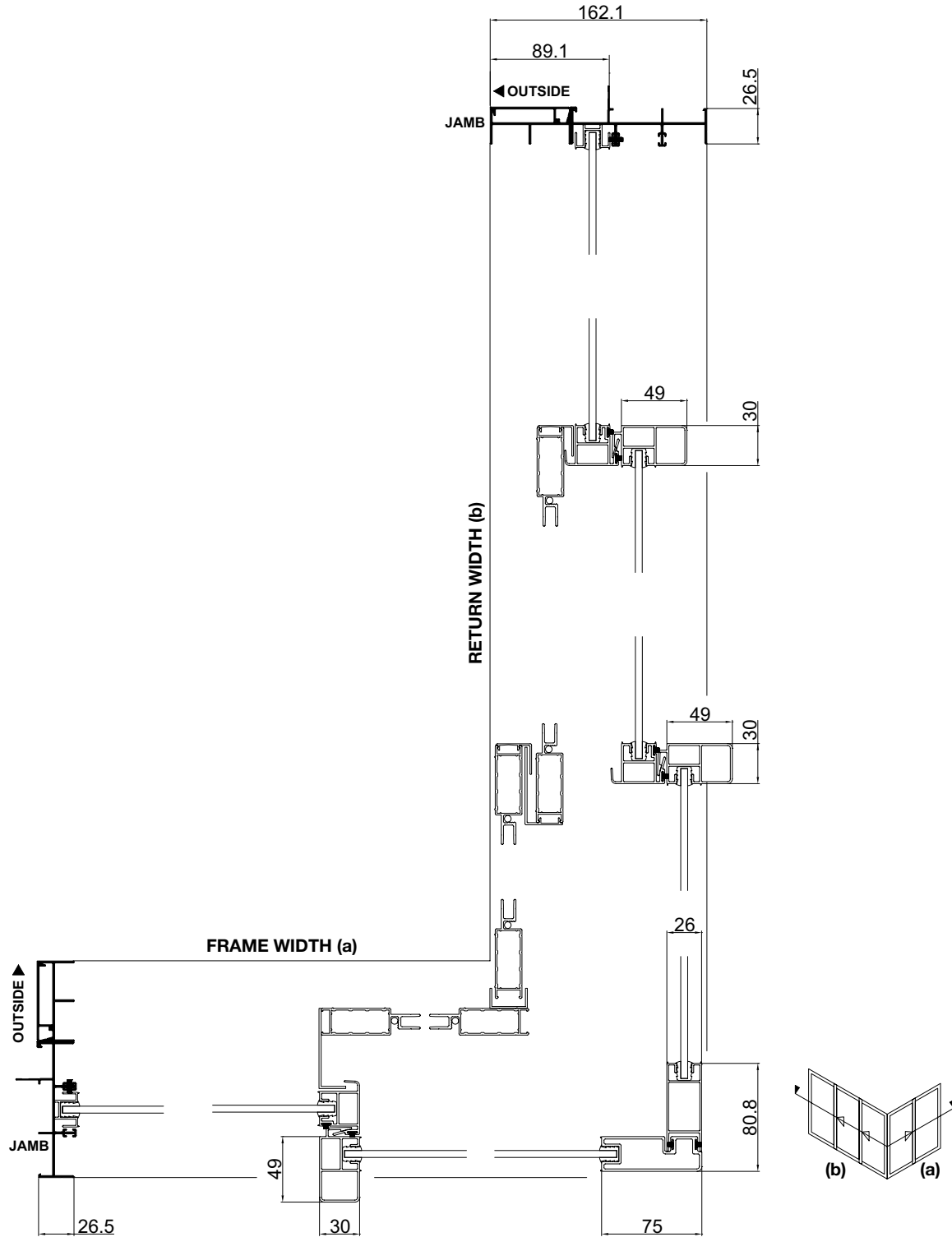
Please note that drawings are not to scale

Trend® Sliding Stacker Door | TSD | Mk-4 | 1 Jul 2009

Confidentiality Notice: This document and the information it contains are copyright and confidential to Trend® Windows & Doors Pty Limited. Disclosure, use and copying in any form whatsoever, except as authorised by Trend® Windows & Doors in writing, are strictly prohibited. Patents and Design Registrations pending.

Cross Sectional Views

Trend® Sliding Stacker Door | 2x3 Internal Corner



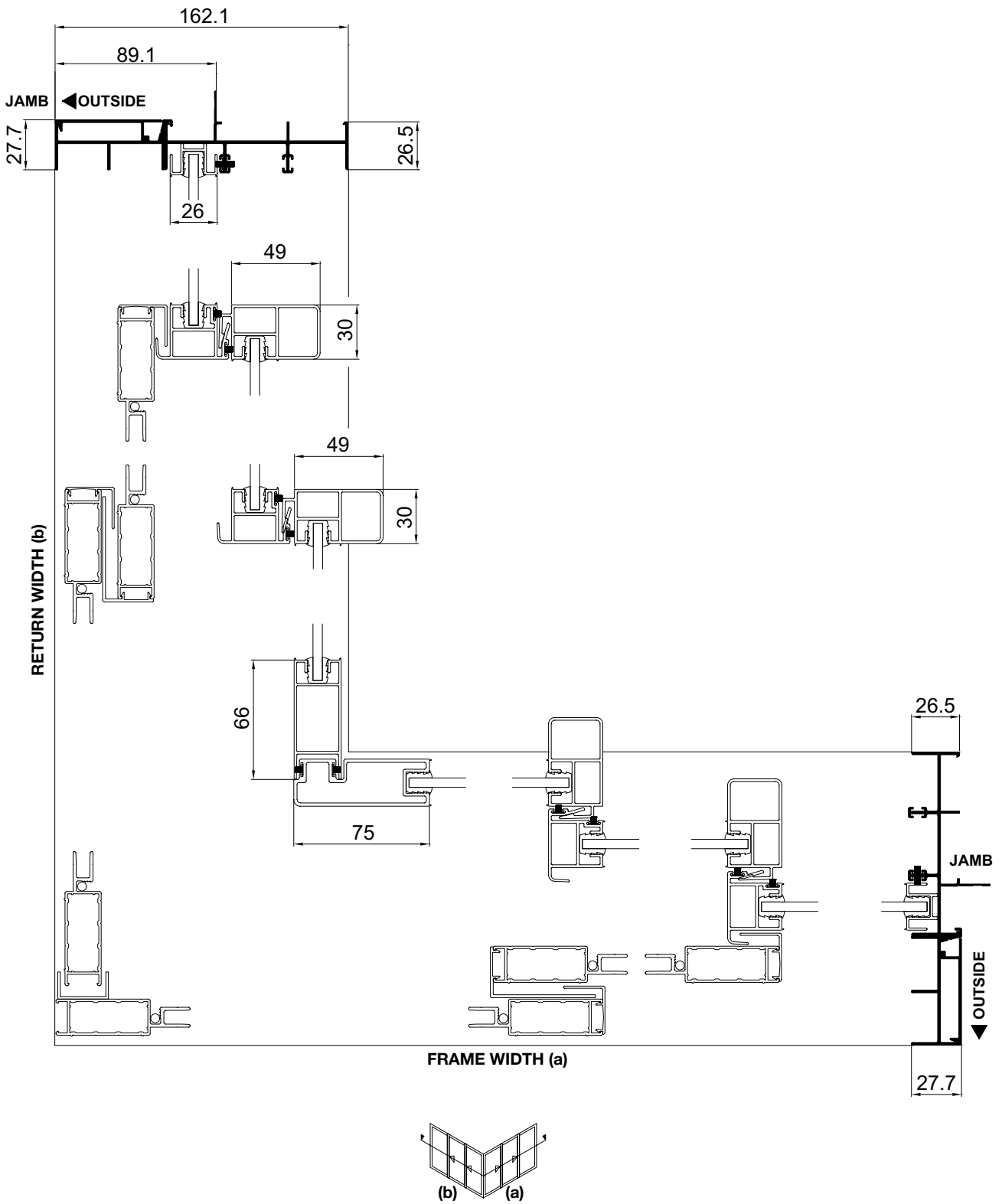
Please note that drawings are not to scale

Trend® Sliding Stacker Door | TSD | Mk-4 | 1 Jul 2009

Confidentiality Notice: This document and the information it contains are copyright and confidential to Trend® Windows & Doors Pty Limited. Disclosure, use and copying in any form whatsoever, except as authorised by Trend® Windows & Doors in writing, are strictly prohibited. Patents and Design Registrations pending.

Cross Sectional Views

Trend® Sliding Stacker Door | 3x3 External Corner



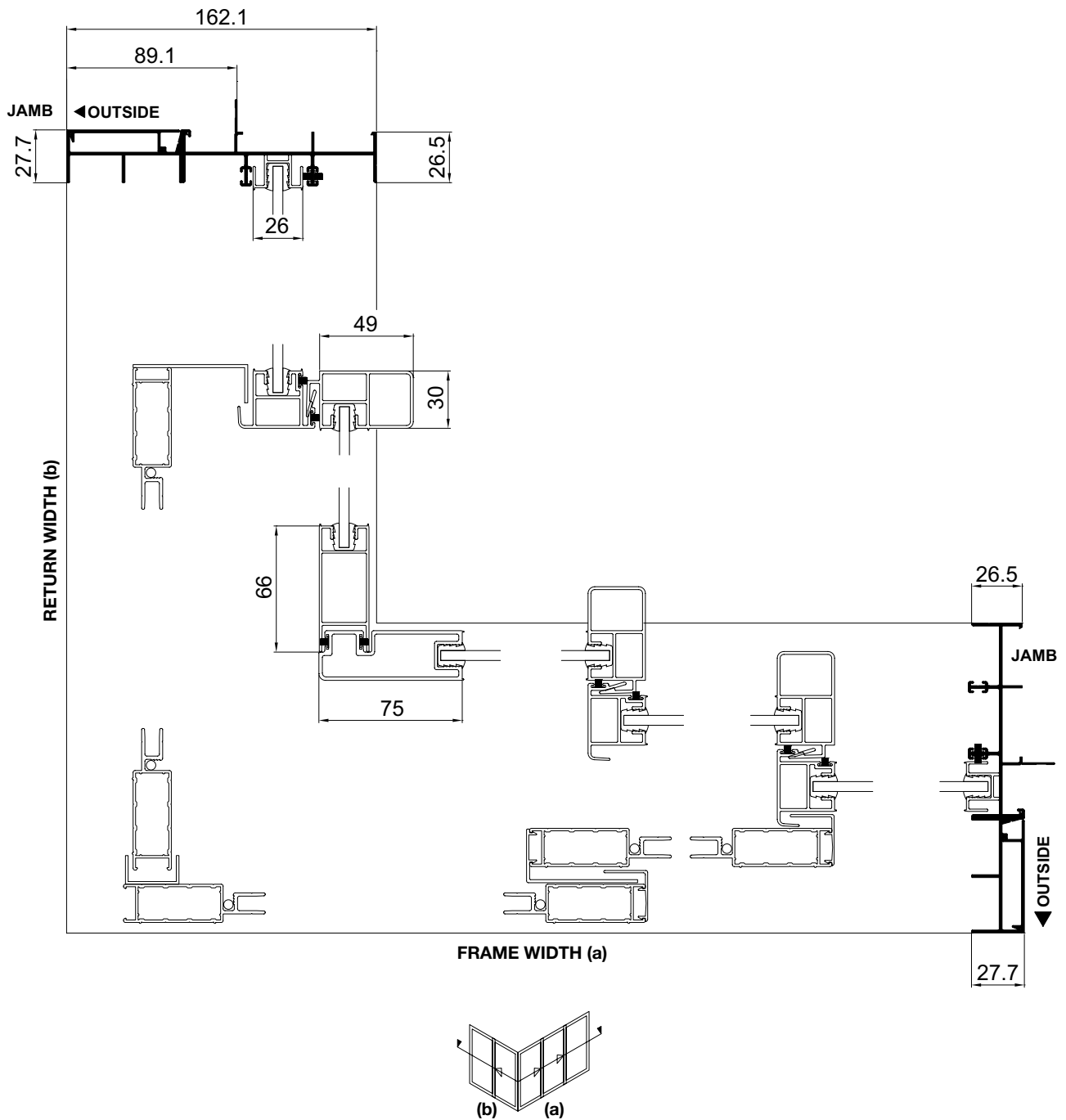
Please note that drawings are not to scale

Trend® Sliding Stacker Door | TSD | Mk-4 | 1 Jul 2009

Confidentiality Notice: This document and the information it contains are copyright and confidential to Trend® Windows & Doors Pty Limited. Disclosure, use and copying in any form whatsoever, except as authorised by Trend® Windows & Doors in writing, are strictly prohibited. Patents and Design Registrations pending.

Cross Sectional Views

Trend® Sliding Stacker Door | 3x2 External Corner



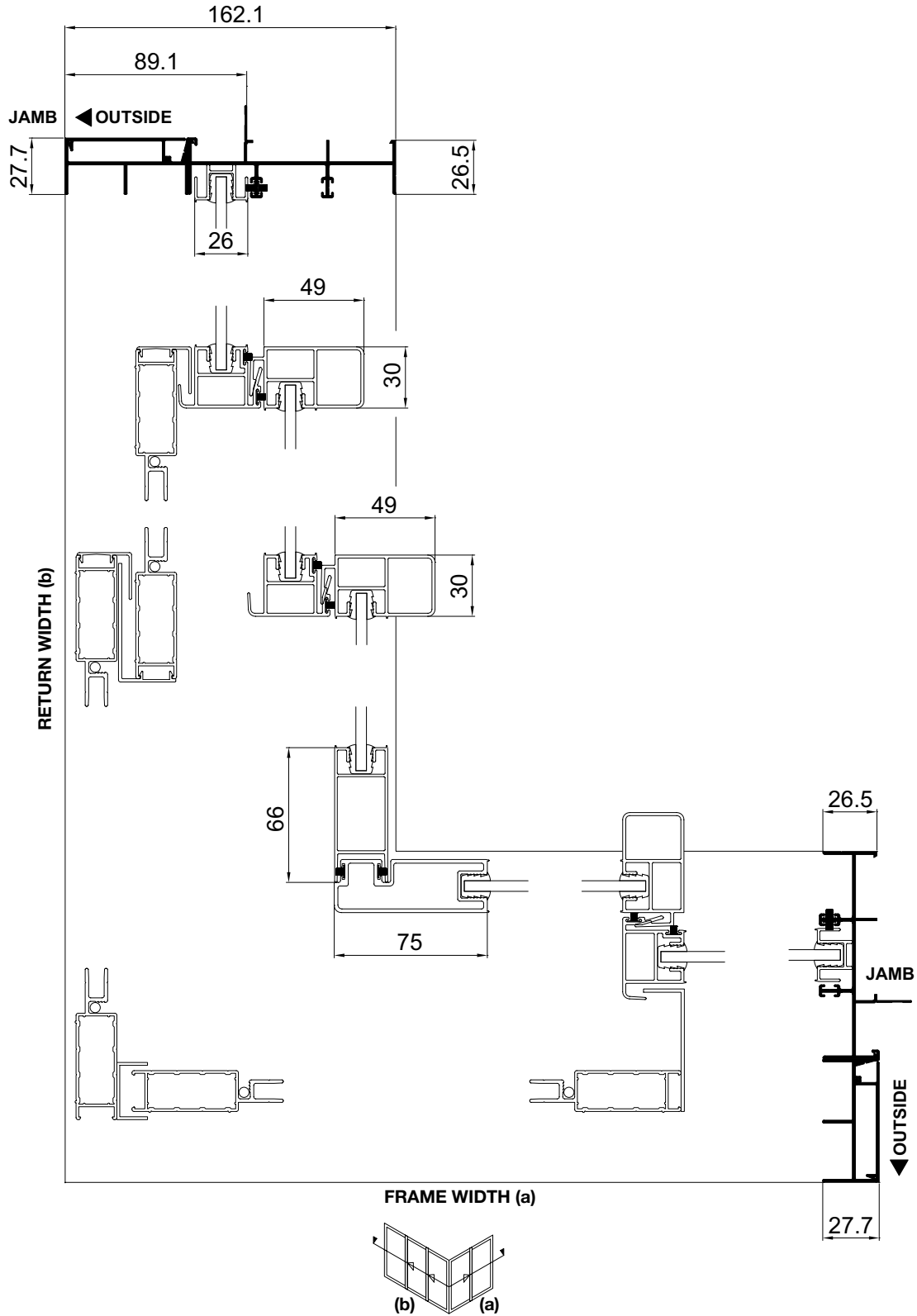
Please note that drawings are not to scale

Trend® Sliding Stacker Door | TSD | Mk-4 | 1 Jul 2009

Confidentiality Notice: This document and the information it contains are copyright and confidential to Trend® Windows & Doors Pty Limited. Disclosure, use and copying in any form whatsoever, except as authorised by Trend® Windows & Doors in writing, are strictly prohibited. Patents and Design Registrations pending.

Cross Sectional Views

Trend® Sliding Stacker Door | 2x3 External Corner



Please note that drawings are not to scale

Trend® Sliding Stacker Door | TSD | Mk-4 | 1 Jul 2009

Confidentiality Notice: This document and the information it contains are copyright and confidential to Trend® Windows & Doors Pty Limited. Disclosure, use and copying in any form whatsoever, except as authorised by Trend® Windows & Doors in writing, are strictly prohibited. Patents and Design Registrations pending.