

Trend thermAL® Hybrid

Stacker Door

TECHNICAL DATA

Features & Benefits

Size Range

Ordering Details

Installation

Cross Sectional Views

Features & Benefits

Trend thermAL® Stacker Door

Glazing

Trend thermAL® is designed to accommodate up to 24mm double glazed units for maximum energy efficiency. With over 60 different glazing options there is a solution for any climate in Australia.

Among the lowest U-Values and SHGC available but at a significantly lower cost when compared to similar systems.

U-Value down to 23
SHGC range from 0.65 - 0.33
Cooling Efficiency 63%
Heating Efficiency 58%

Composition

Aluminium external surface for maximum strength which can be powder coated in a range of standard and designer colours for a bold external finish

Rigid polymer ERP™ is available in 3 standard steadfast colours to complement internal finishes with a subtle appearance but complementing the external finish.

Rigid polymer ERP™ internal surface designed to reduce energy transfer for highest energy efficiency

Rigid polymer ERP™ is impact modified to ensure minimal damage even during construction.

Rigid polymer ERP™ is pre-stressed to eliminate excessive shrinkage or expansion and is also UV stabilised to withstand the harsh Australian climates

Locks

Trend thermAL® Stacker doors are fitted with double cylinder deadlock as standard and has a double parrot beak with a 2 point locking system. Striker plate is mounted with full fixing to jamb for added security.

Safety Glazing

Toughened Safety A Grade glass with a visual motif at the mid point to provide added safety.

Heavy Duty Rollers

Trend thermAL® door uses a heavy duty, double bogey roller system for smooth operation.

The marine alloy aluminium carriage reduces the chance of corrosion ensuring a long and smoother operation.

Frames

Maximum Door Heights 2400mm
Maximum Door Panels 1200mm

Optional Heavy Duty Barrier and Insect Screen Door

The sturdy extruded aluminium, external Stacker flydoor is fitted with spring loaded acetal wheels that ensure the insect screen door stays on the track and opens smoothly.

Options

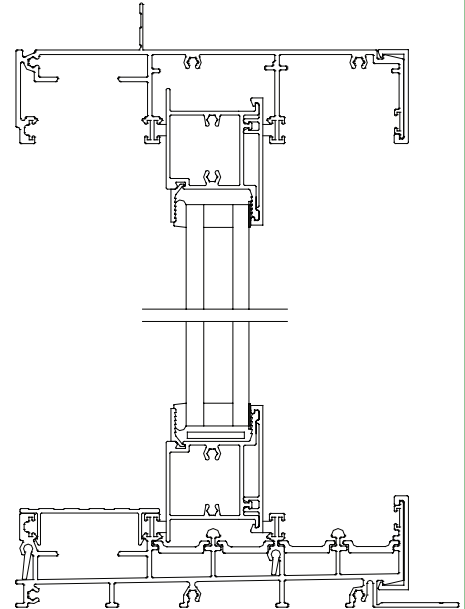
Wide range of powdercoat finishes available including timber powdercoat finishes.

Protective Wrapping

Protective wrapping for delivery to site is a standard for all Trend thermAL® products.

ERP™ Colours

Anodic Natural Matt
White
Matt Stone Beige

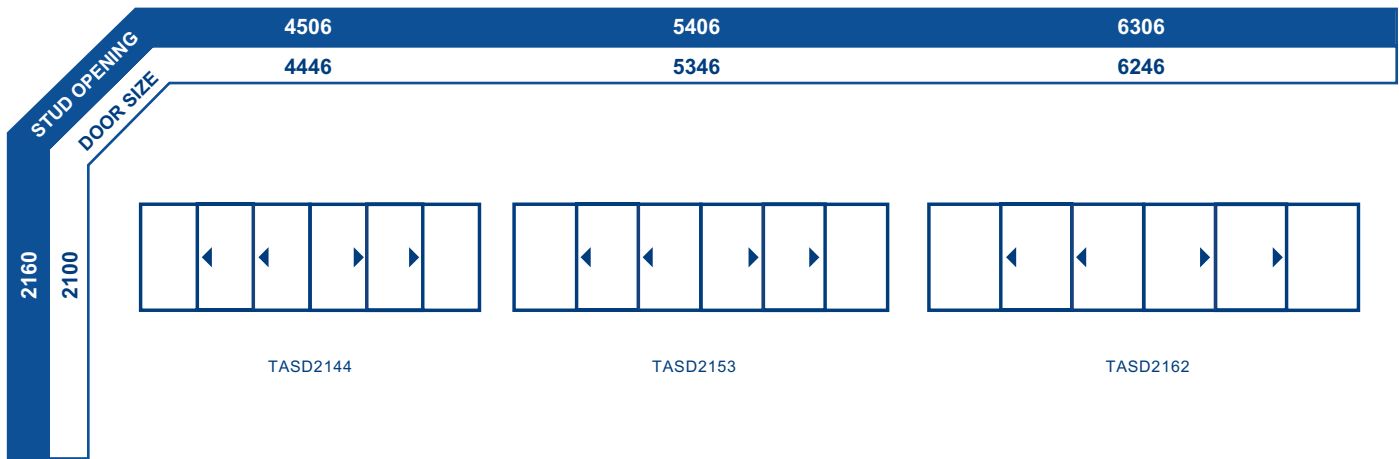
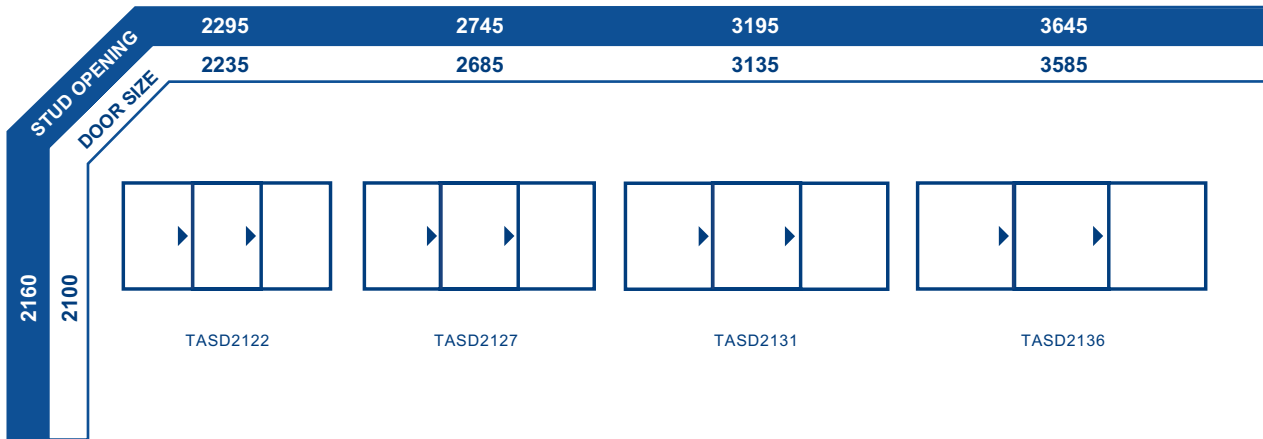


Please note that drawings are not to scale

Trend thermAL® Stacker Door | TASD | Mk-1 | 10 Oct 2011

Size Range

Trend thermAL® Stacker Door



*Max height available 2400mm

All windows and doors are designed to 700pa velocity and 200pa water rating.
For higher ratings consult Trend® Windows & Doors

Please note that drawings are not to scale

Trend thermAL® Stacker Door | TASD | Mk-1 | 10 Oct 2011

Confidentiality Notice: This document and the information it contains are copyright and confidential to Trend® Windows & Doors Pty Limited. Disclosure, use and copying in any form whatsoever, except as authorised by Trend thermAL® Windows & Doors in writing, are strictly prohibited. Patents and Design Registrations pending.

Ordering Details

Trend thermAL® Stacker Door

All doors are illustrated as viewed from outside.

Codes shown are for plain doors. The first two numbers of code indicate approximate height, the last two numbers indicate approximate width.

Manufactured from aluminium and Rigid Polymer extrusion.

Sash Style Options:
Standard option, eg door T ASD2122

General:
Black hardware is supplied as standard

Three panel doors is available as reverse to what is shown on size range chart

Note:
For information on different glass types or wind ratings, please contact a Trend Windows & Doors sales representative.

Pa refers to Pascal rating (wind pressure)

Option:
Three lite door available in reverse

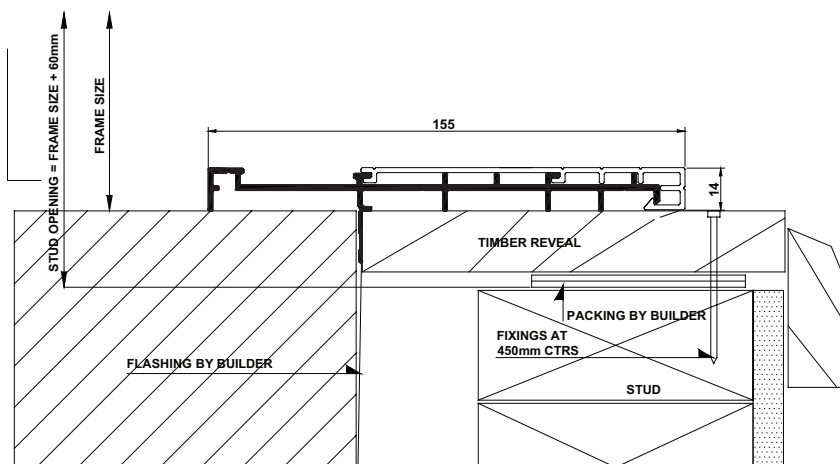
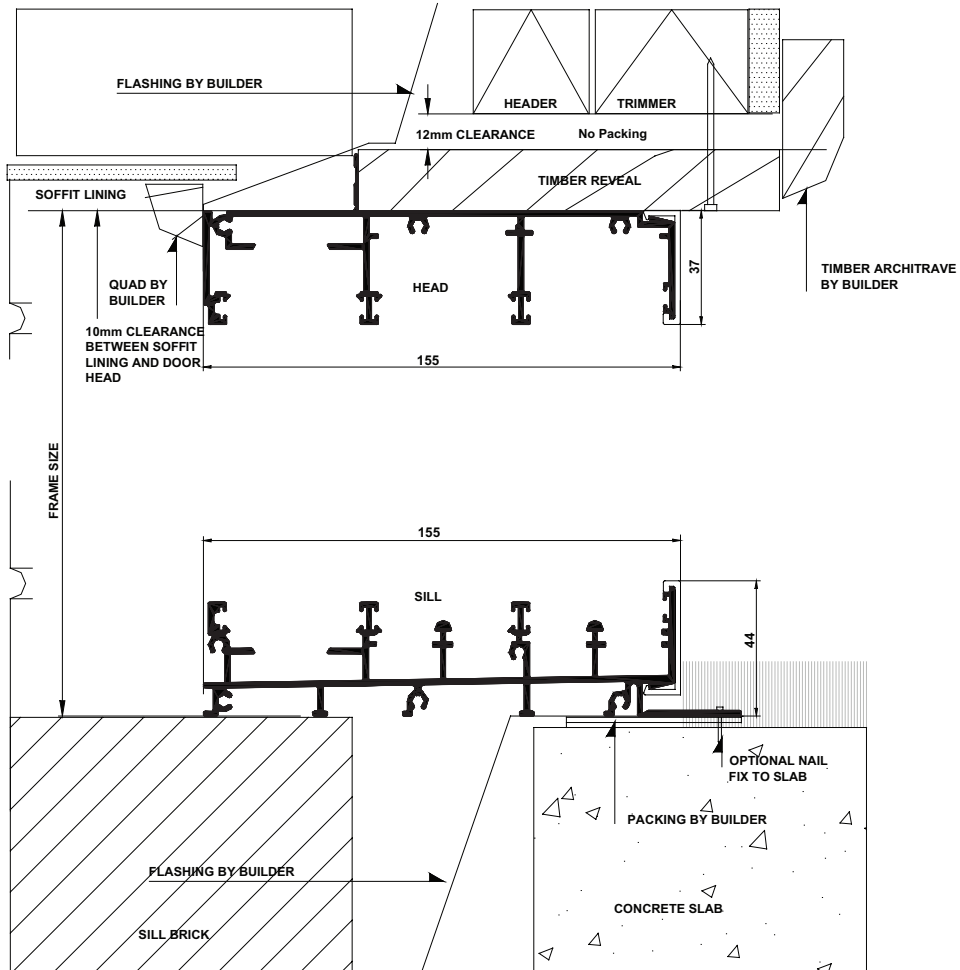
Please note that drawings are not to scale

Trend thermAL® Stacker Door | T ASD | Mk-1 | 10 Oct 2011

Confidentiality Notice: This document and the information it contains are copyright and confidential to Trend® Windows & Doors Pty Limited. Disclosure, use and copying in any form whatsoever, except as authorised by Trend thermAL® Windows & Doors in writing, are strictly prohibited. Patents and Design Registrations pending.

Installation

Trend thermAL® Stacker Door | Building In Detail | **Brick Veneer - 230mm wall**

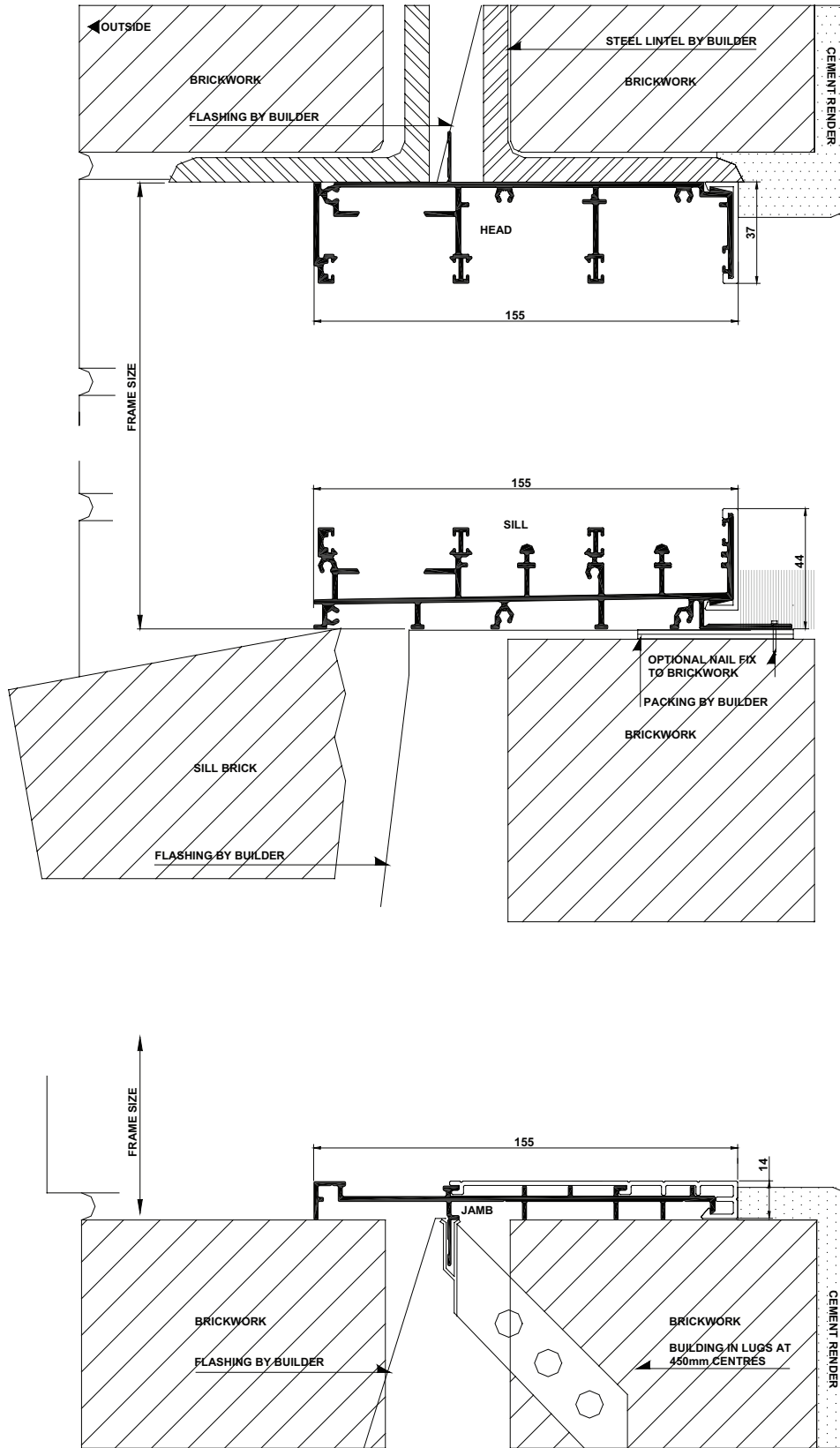


Please note that drawings are not to scale

Trend thermAL® Stacker Door | TASD | Mk-1 | 10 Oct 2011

Installation

Trend thermAL® Stacker Door | Building In Detail | **Double Brick - 280mm wall**

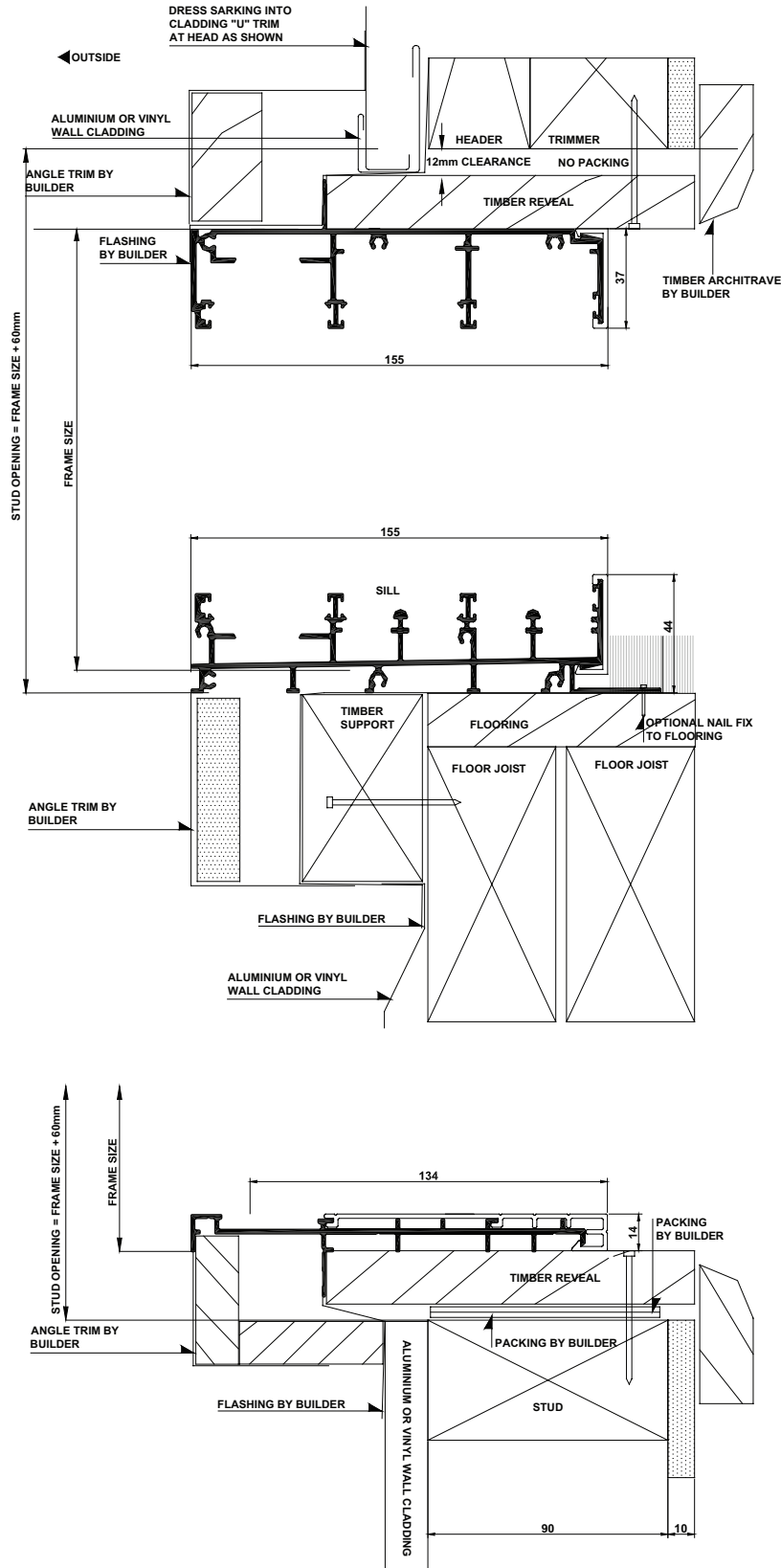


Please note that drawings are not to scale

Trend thermAL® Stacker Door | TASD | Mk-1 | 10 Oct 2011

Installation

Trend thermAL® Stacker Door Window | Building In Detail | Aluminium Cladding on Studs

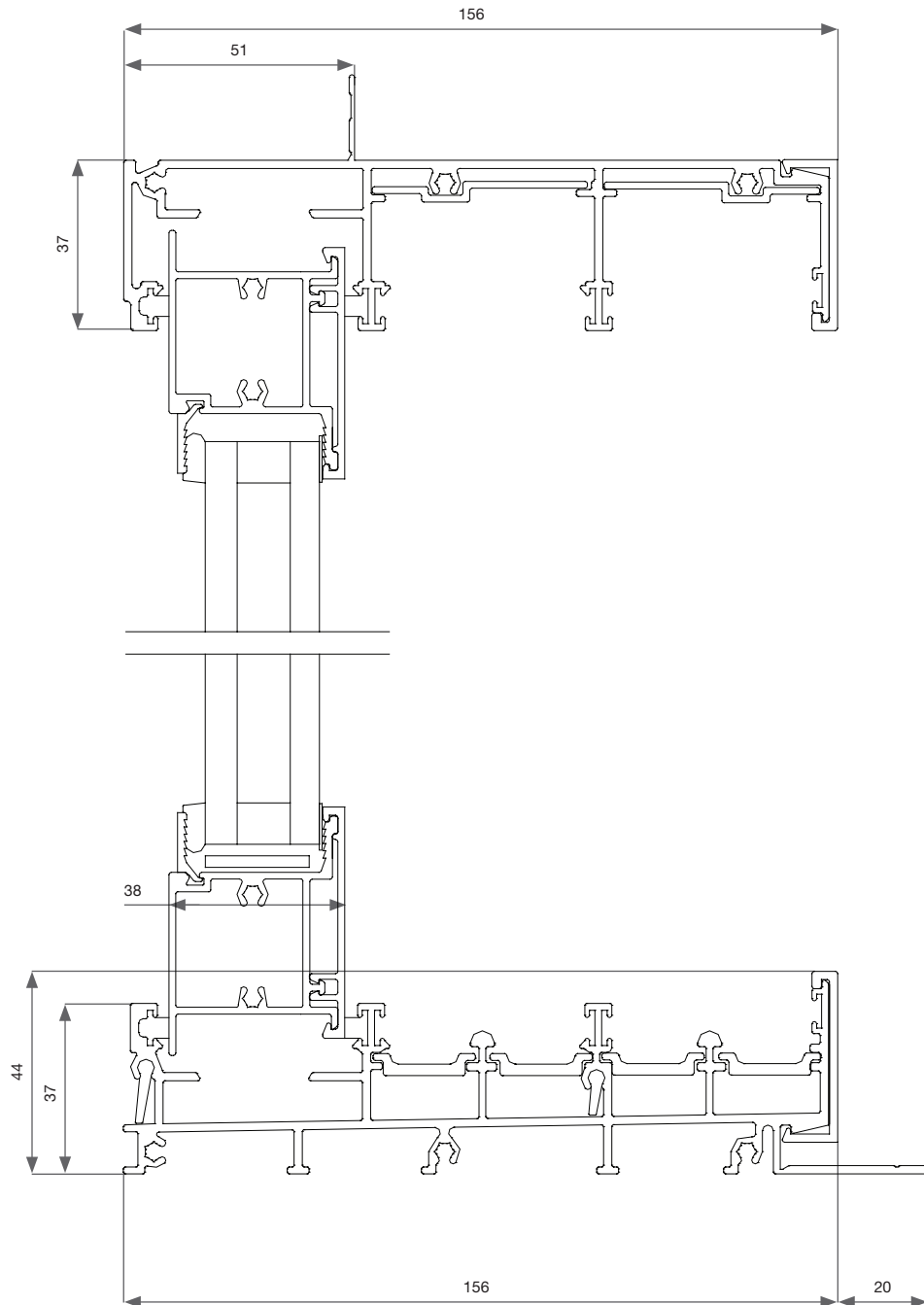


Please note that drawings are not to scale

Trend thermAL® Stacker Door | TASD | Mk-1 | 10 Oct 2011

Cross Sectional Views

Trend thermAL® Stacker Door | 3 Lite - Double Glazed



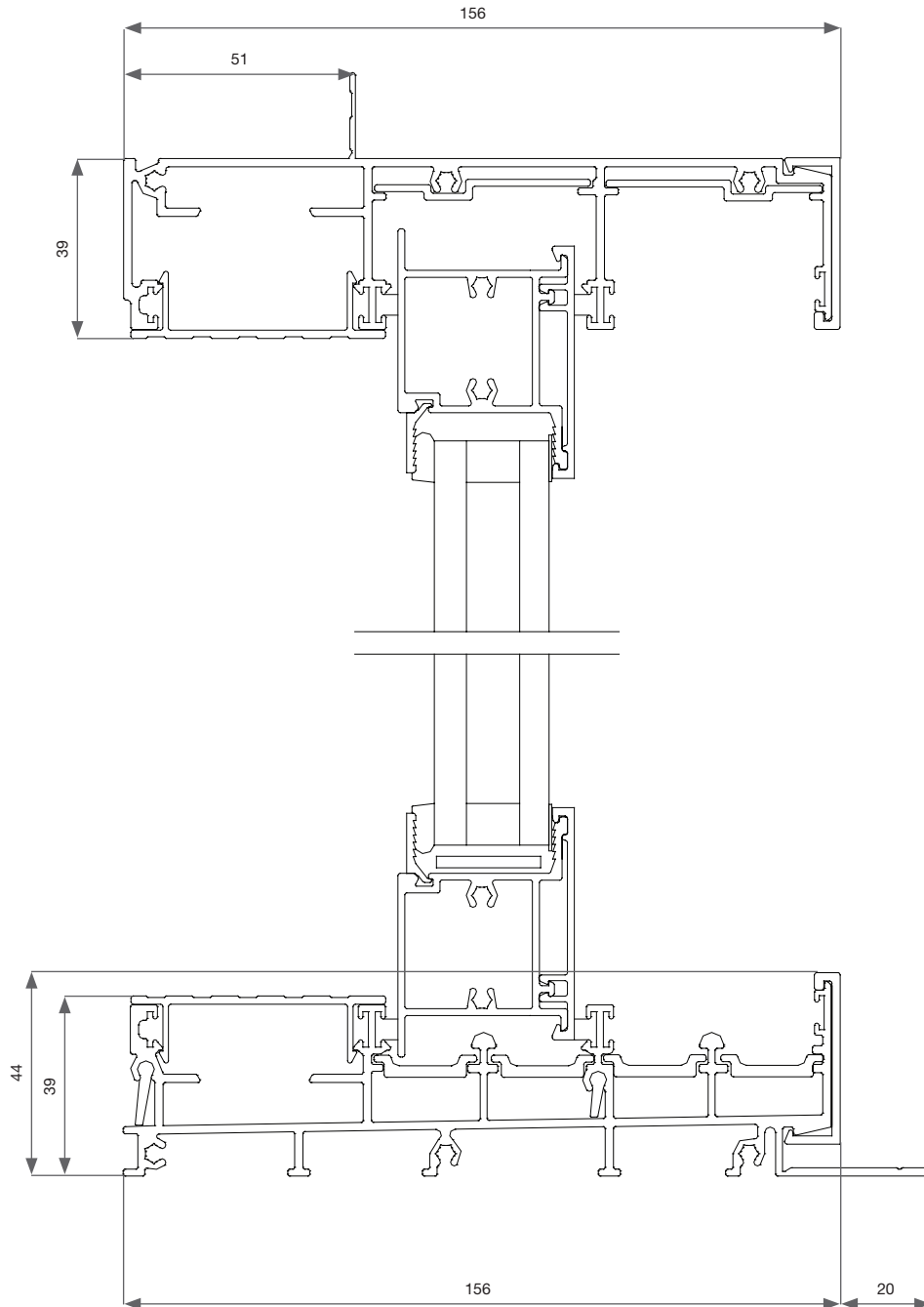
Please note that drawings are not to scale

Trend thermAL® Stacker Door | TASD | Mk-1 | 10 Oct 2011

Confidentiality Notice: This document and the information it contains are copyright and confidential to Trend® Windows & Doors Pty Limited. Disclosure, use and copying in any form whatsoever, except as authorised by Trend thermAL® Windows & Doors in writing, are strictly prohibited. Patents and Design Registrations pending.

Cross Sectional Views

Trend thermAL® Stacker Door | **3 Lite - Double Glazed**



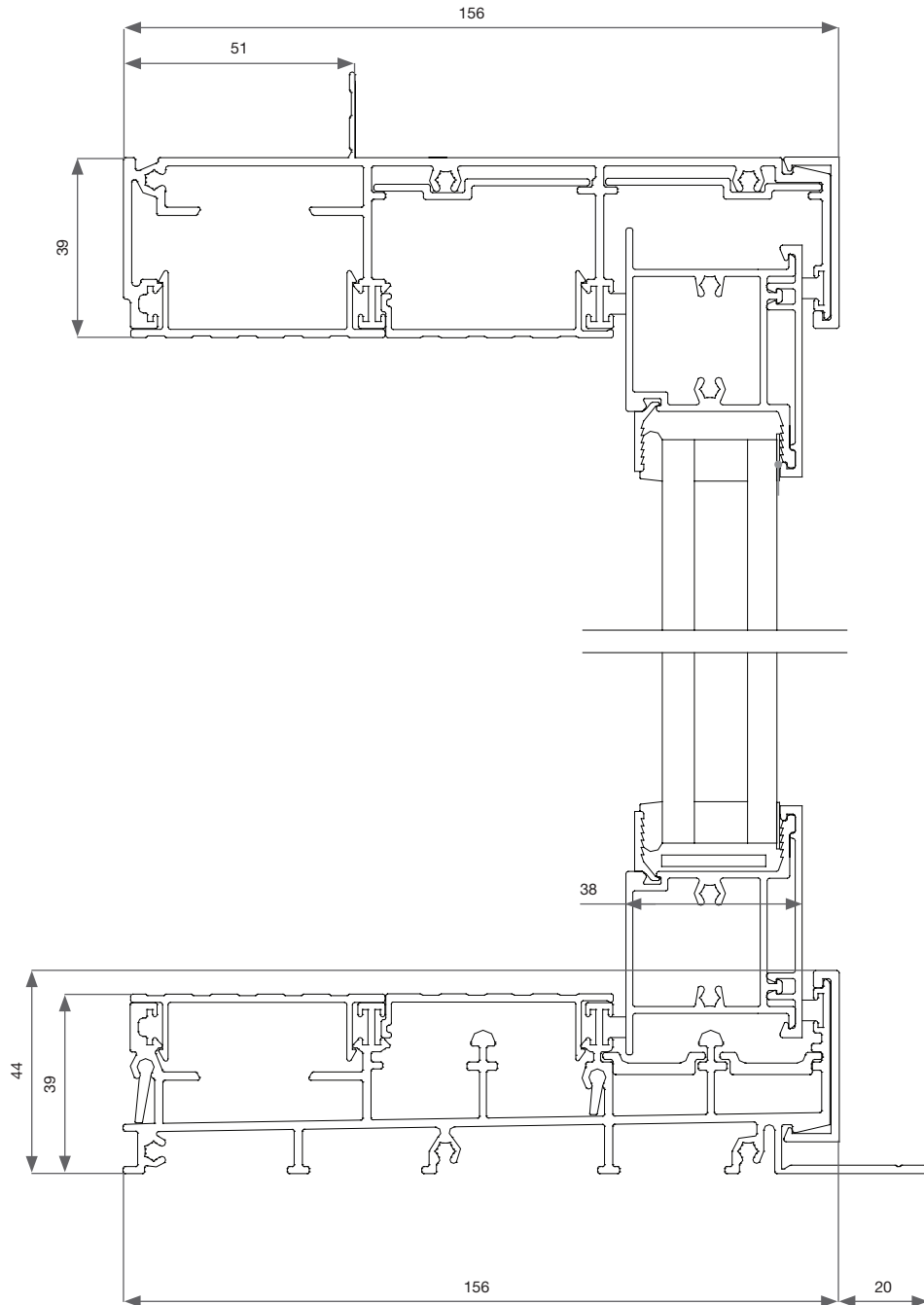
Please note that drawings are not to scale

Trend thermAL® Stacker Door | TASD | Mk-1 | 10 Oct 2011

Confidentiality Notice: This document and the information it contains are copyright and confidential to Trend® Windows & Doors Pty Limited. Disclosure, use and copying in any form whatsoever, except as authorised by Trend thermAL® Windows & Doors in writing, are strictly prohibited. Patents and Design Registrations pending.

Cross Sectional Views

Trend thermAL® Stacker Door | 3 Lite - Double Glazed



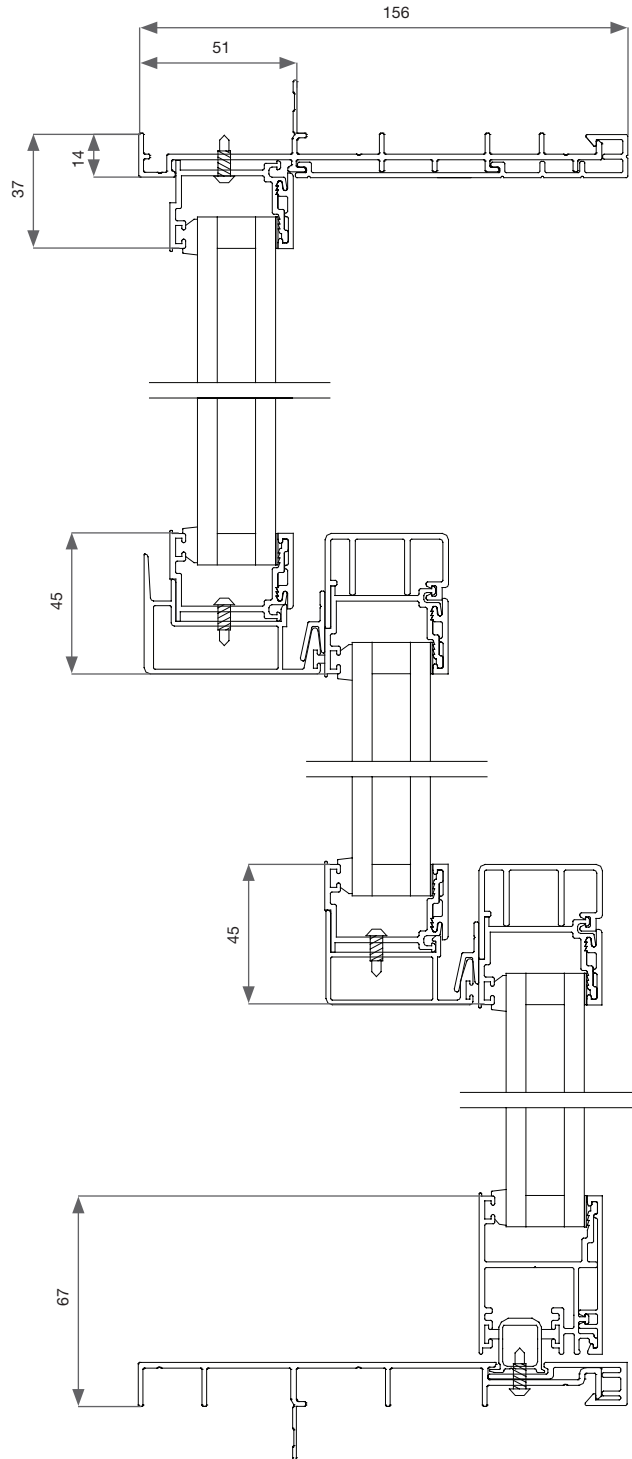
Please note that drawings are not to scale

Trend thermAL® Stacker Door | T ASD | Mk-1 | 10 Oct 2011

Confidentiality Notice: This document and the information it contains are copyright and confidential to Trend® Windows & Doors Pty Limited. Disclosure, use and copying in any form whatsoever, except as authorised by Trend thermAL® Windows & Doors in writing, are strictly prohibited. Patents and Design Registrations pending.

Cross Sectional Views

Trend thermAL® Stacker Door | **3 Lite - Double Glazed**

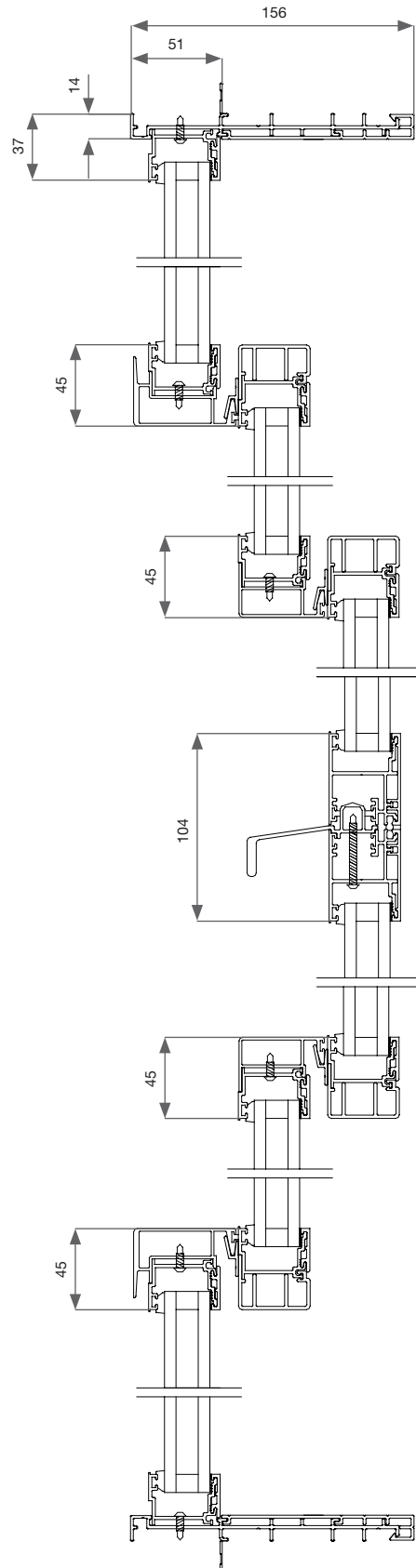


Please note that drawings are not to scale

Trend thermAL® Stacker Door | TASD | Mk-1 | 10 Oct 2011

Cross Sectional Views

Trend thermAL® Stacker Door | 6 Lite - Double Glazed



Please note that drawings are not to scale

Trend thermAL® Stacker Door | T ASD | Mk-1 | 10 Oct 2011