

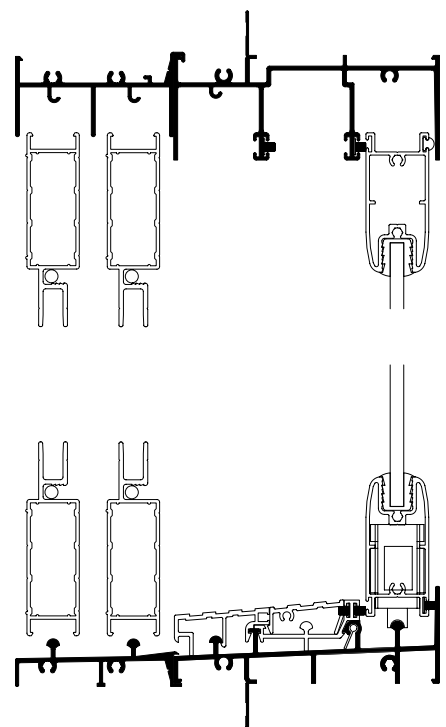
# Features & Benefits

## Quantum® Sliding Stacker Door

- 1 Energy Efficiency Options  
Trend® Thermashield® in various glazing styles are available to help reduce energy consumption. Trend® Thermashield® means greater control, bigger savings and most importantly one less thing to worry about. Energy efficient options to u-Value of 3.0 and SHGC 0.41 are available for Quantum Sliding Stacker Door.
- 2 Acoustic options  
SoundMizer® acoustic solutions in various STC rating are available to STC 38 for Quantum Sliding Stacker Door. SoundMizer® acoustic solutions can reduce aircraft, highway traffic, railway and other annoying noise problems. For information or technical details contact Trend®.
- 3 Locks  
Sliding Stacker Doors are fitted with double cylinder deadlock as standard
- 4 Safety Glazing  
Toughened Safety A Grade Glass with a visual motif at the mid point to provide added safety. Laminated Glass is used in all non standard door sizes. 18mm Double Glazing is available for energy efficiency requirements.
- 5 Protected Rolling Track  
An extruded aluminium splayed threshold protects both glass door and flydoor rolling tracks.
- 6 Simple Access  
The aluminium threshold features the Easyrider™ sill which is ideal for wheelchair access.
- 7 Heavy Duty Rollers  
Quantum door uses a heavy duty, double bogey roller system for smooth operation. The marine alloy aluminium carriage reduces the chance of corrosion ensuring a long and smooth operation.

- 8 Frames  
Quantum Door frame is 101.6mm wide with the sash 50mm wide. Reminiscent of timber, Quantum Sliding Stacker Door is extremely popular in both traditional and contemporary house designs.  
  
Maximum Door Height is 2700mm  
Maximum Door Width is 4473mm (up to 3 panel door)  
Maximum Door Width is 6390mm (up to 6 panel door)
- 9 Interlockers  
Five types of interlockers are available. Quantum Door rates to 2200 pascals (kPa) - structural.
- 10 Optional Heavy Duty Barrier and Insect Screen Door  
The sturdy extruded aluminium, external sliding flydoor is fitted with spring loaded acetel wheels that ensure the insect screen door stays on the track and opens smoothly.
- 11 Build-In Accessories
  - 180° non-load-bearing couplers.
  - 135° non-load-bearing corner couplers.
  - 100mm aluminium architraves for replacement door installations.
  - Adjustable aluminium storm mould.
  - Extruded aluminium 180° mullion covers to hide load-bearing posts.
- 12 Security  
Quantum Sliding Stacker Door has a double parrot beak with a 2 point locking system. Striker plate is mounted with full fixing to jamb for added security.
- 13 Protective Wrapping  
Protective wrapping for delivery to site is a optional for all Quantum Sliding Stacker Door product.

- 14 Options  
Colonial Bar, Federation Bar Layouts and Ovolo adaptor are available.  
Wide range of powdercoat finishes including timber finishes available.



Please note that drawings are not to scale

Quantum® Sliding Stacker Door | QKXD | Mk-4 | 1 Jul 2009

# Size Range

Quantum® Sliding Stacker Door

STUD OPENING DOOR SIZE	2369	2714	3269	3614	4529
	2313	2658	3213	3558	4473
2756 2456 2156 2700 2400 2100					
	QKXD2123	QKXD2126	QKXD2132	QKXD2135	QKXD2145
	QKXD2423	QKXD2426	QKXD2432	QKXD2435	QKXD2445
	QKXD2723	QKXD2726	QKXD2732	QKXD2735	QKXD2745

STUD OPENING DOOR SIZE	4646	5336	6446
	4590	5280	6390
2756 2456 2156 2700 2400 2100			
	QKXD2146	QKXD2153	QKXD2164
	QKXD2446	QKXD2453	QKXD2464
	QKXD2746	QKXD2753	QKXD2764

All windows and doors are designed to 700pa velocity and 150pa water rating. For higher ratings consult Quantum® Windows & Doors

## Notes

Trend® Aluminium Stacker Doors modern bold clean lines and elegant styling offers uninterrupted views perfectly. Quality construction ensures ease of use, long life and security. All stacker doors are fitted with Grade A safety glass.

\* Also available in Colonial, Federation and Ovolo design styles.

Door heights not available in all wind pascal ratings. For information on double-glazing, different glass types or wind ratings, please contact a Trend® Windows & Doors sales representative.

Please note that drawings are not to scale

Quantum® Sliding Stacker Door | QKXD | Mk-4 | 1 Jul 2009

Confidentiality Notice: This document and the information it contains are copyright and confidential to Trend® Windows & Doors Pty Limited. Disclosure, use and copying in any form whatsoever, except as authorised by Trend® Windows & Doors in writing, are strictly prohibited. Patents and Design Registrations pending.

## Ordering Details

### Quantum® Sliding Stacker Door

All doors are illustrated as viewed from outside. Codes shown are for plain doors.

The first two numbers of code indicate approximate height, the last two numbers indicate approximate width.

#### **Sash Style Options:**

Standard option, eg door code QKXD2123

O indicates ovolo sash style, eg door code QOKXD2123

T indicates Thermashield® double glazed sash style, eg door code QTKXD2123

M indicates Acoustic sash style (SoundMizer®), eg door code QMKXD2123

S indicates Sump Sill, eg door code QSKXD2123

#### **Bar Options:**

CL indicates Colonial Bar, eg door code QKXD2123CL

FD indicates Federation Bar, eg door code QKXD2123FD

#### **Configuration Options:**

XXF indicates Slide/Slide/Fixed

FXX indicates Fixed/Slide/Slide

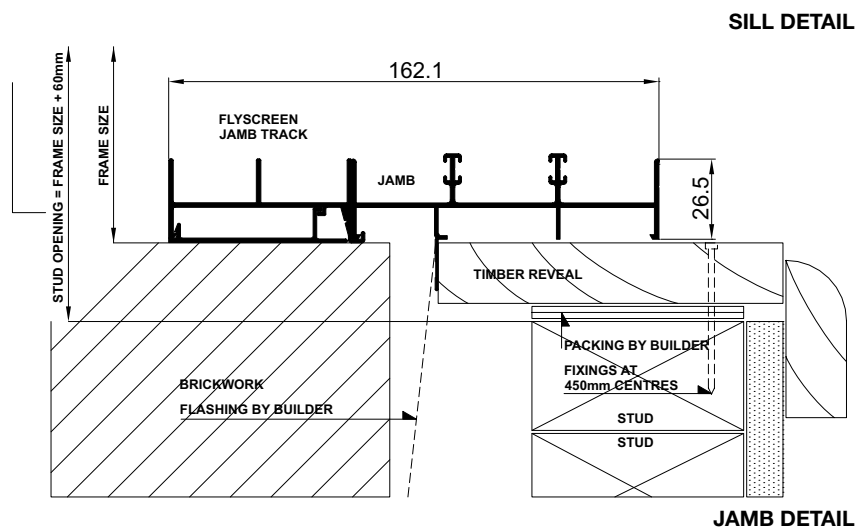
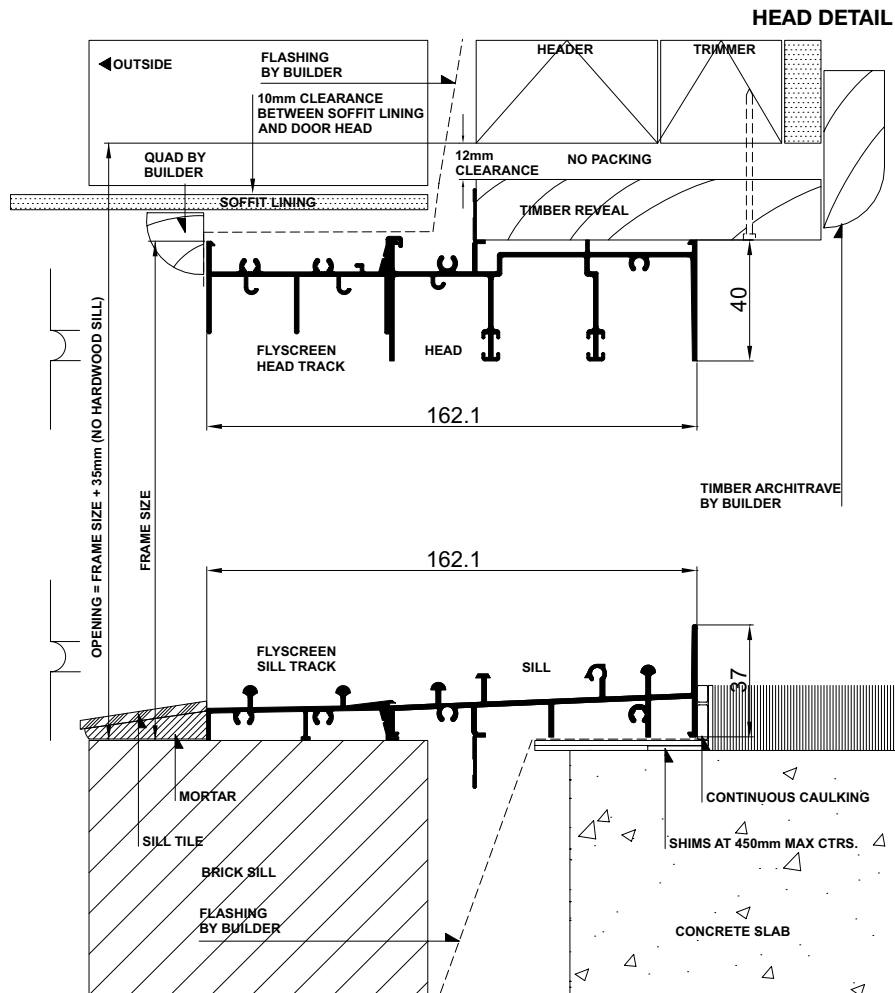
FXXXXF indicates Fixed/Slide/Slide/Slide/Slide/Fixed

#### **General:**

Black hardware is supplied as standard

# Installation

Quantum® Sliding Stacker Door | Building In Detail | **Brick Veneer - 230mm wall**



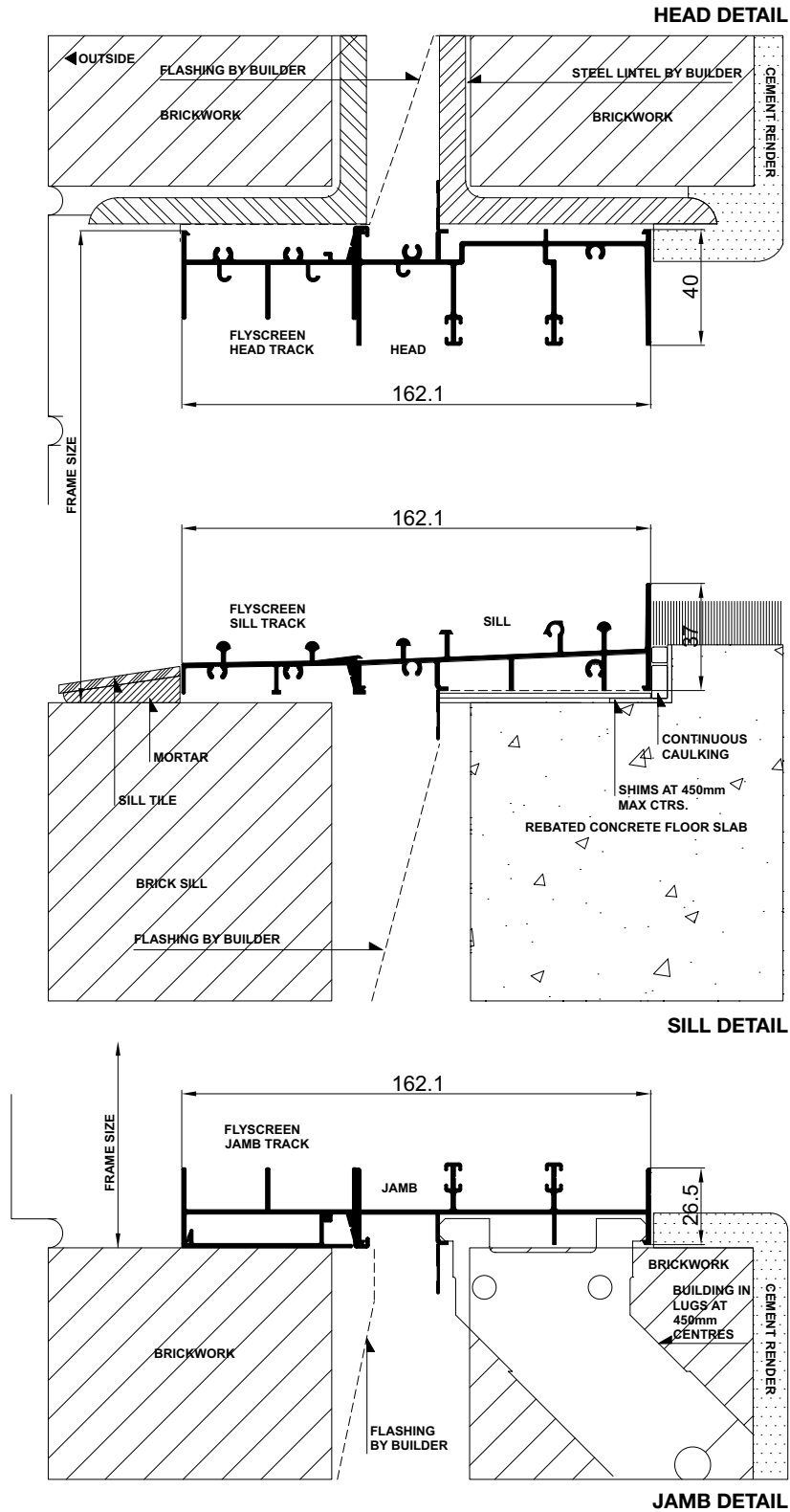
Please note that drawings are not to scale

Quantum® Sliding Stacker Door | QKXD | Mk-4 | 1 Jul 2009

Confidentiality Notice: This document and the information it contains are copyright and confidential to Trend® Windows & Doors Pty Limited. Disclosure, use and copying in any form whatsoever, except as authorised by Trend® Windows & Doors in writing, are strictly prohibited. Patents and Design Registrations pending.

# Installation

Quantum® Sliding Stacker Door | Building In Detail | **Double Brick - 280mm wall**



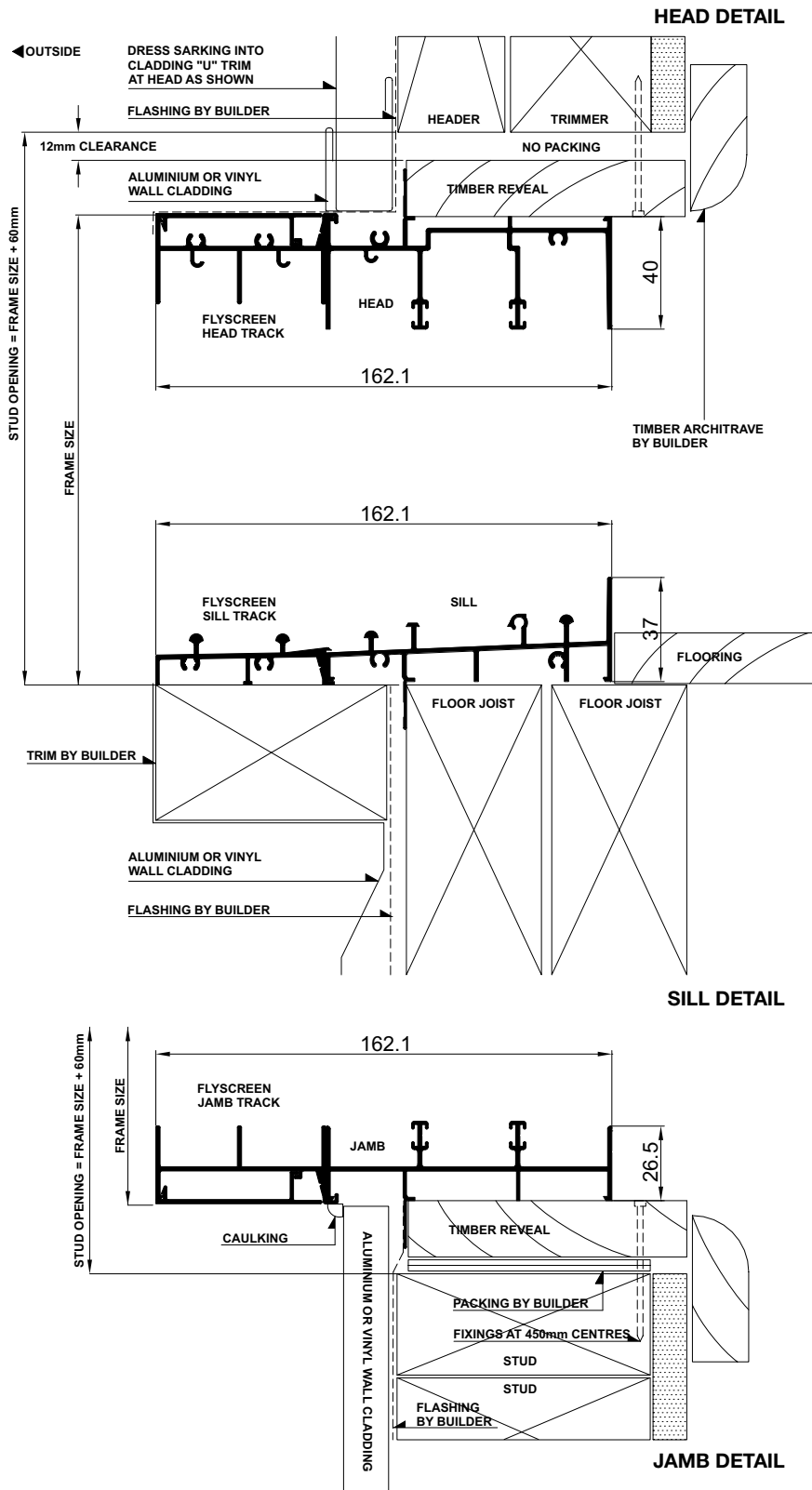
Please note that drawings are not to scale

Quantum® Sliding Stacker Door | QKXD | Mk-4 | 1 Jul 2009

Confidentiality Notice: This document and the information it contains are copyright and confidential to Trend® Windows & Doors Pty Limited. Disclosure, use and copying in any form whatsoever, except as authorised by Trend® Windows & Doors in writing, are strictly prohibited. Patents and Design Registrations pending.

# Installation

Quantum® Sliding Stacker Door | Building In Detail | Aluminium Cladding on Studs



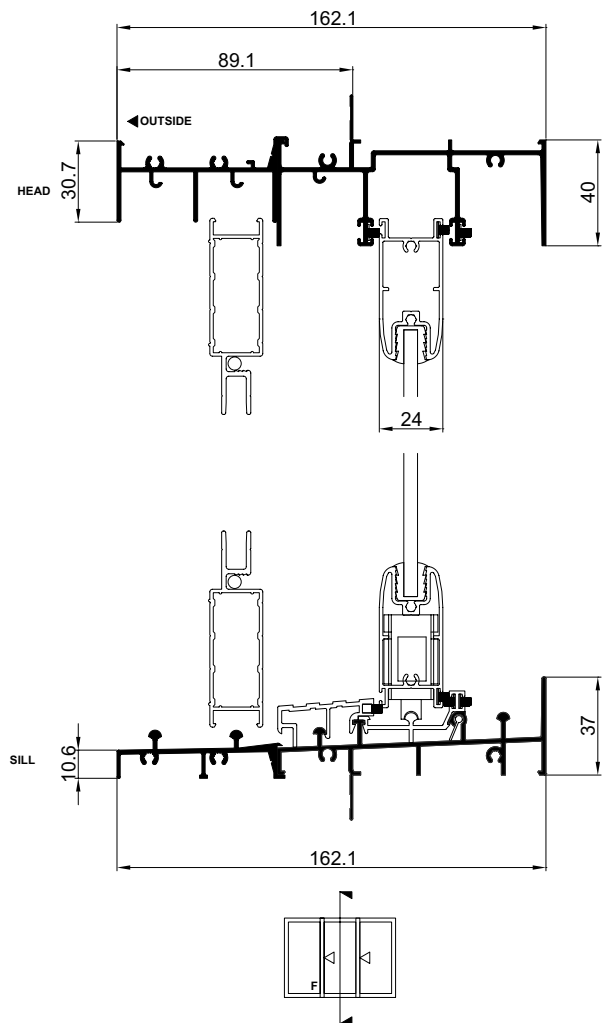
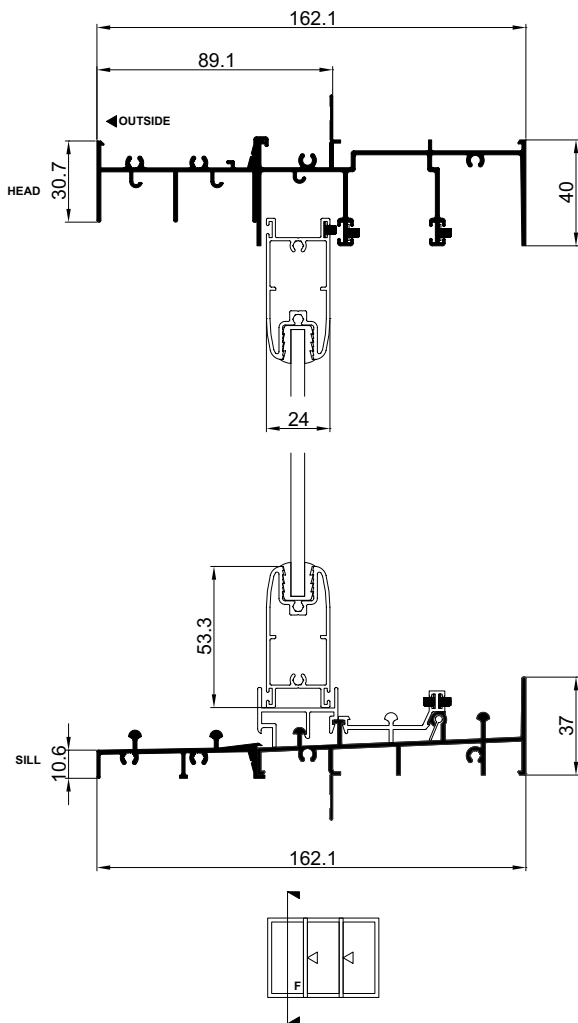
Please note that drawings are not to scale

Quantum® Sliding Stacker Door | QKXD | Mk-4 | 1 Jul 2009

Confidentiality Notice: This document and the information it contains are copyright and confidential to Trend® Windows & Doors Pty Limited. Disclosure, use and copying in any form whatsoever, except as authorised by Trend® Windows & Doors in writing, are strictly prohibited. Patents and Design Registrations pending.

# Cross Sectional Views

Quantum® Sliding Stacker Door | **Three Lite (FXX)**



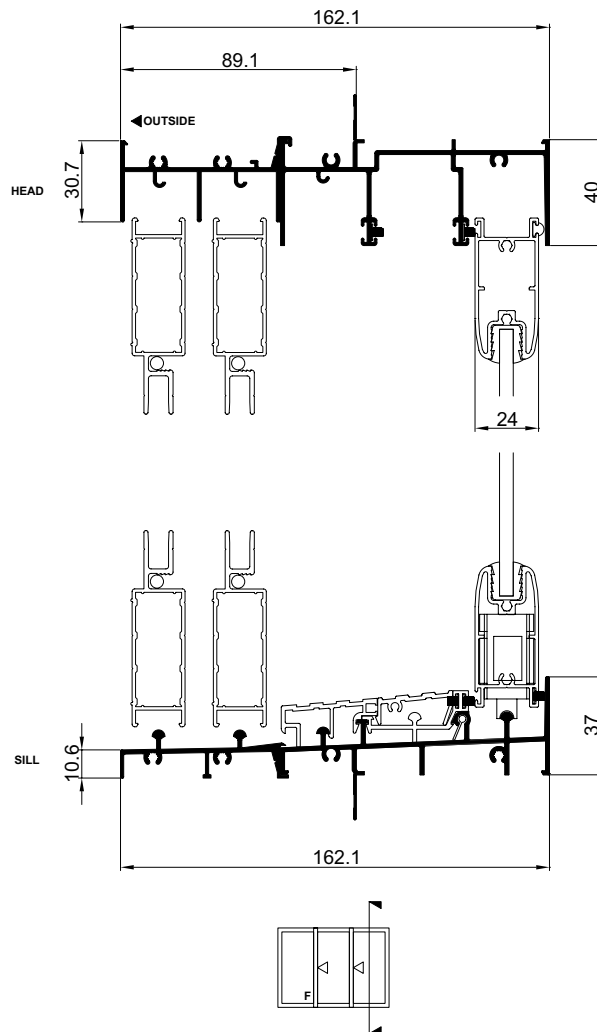
Please note that drawings are not to scale

Quantum® Sliding Stacker Door | QKXD | Mk-4 | 1 Jul 2009

Confidentiality Notice: This document and the information it contains are copyright and confidential to Trend® Windows & Doors Pty Limited. Disclosure, use and copying in any form whatsoever, except as authorised by Trend® Windows & Doors in writing, are strictly prohibited. Patents and Design Registrations pending.

# Cross Sectional Views

Quantum® Sliding Stacker Door | **Three Lite (FXX)**



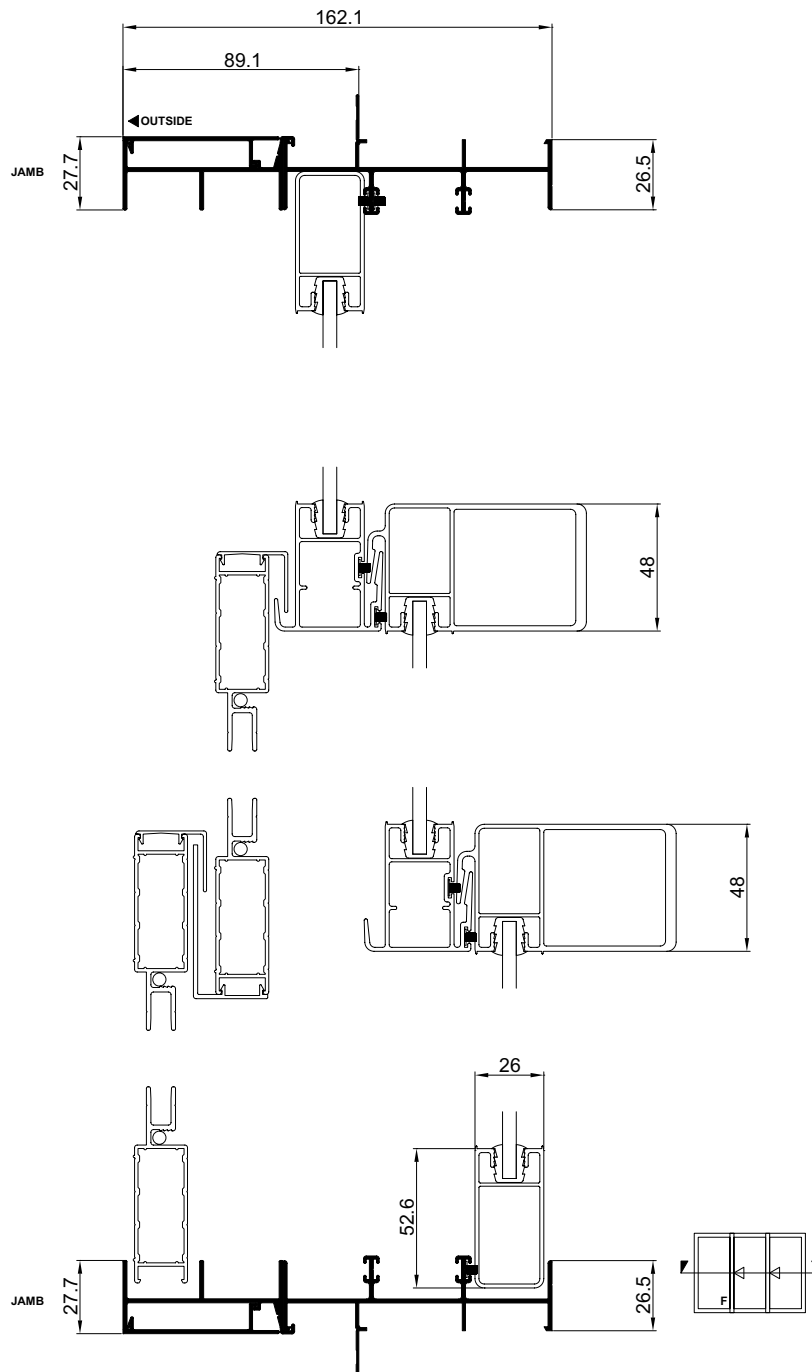
Please note that drawings are not to scale

Quantum® Sliding Stacker Door | QKXD | Mk-4 | 1 Jul 2009

Confidentiality Notice: This document and the information it contains are copyright and confidential to Trend® Windows & Doors Pty Limited. Disclosure, use and copying in any form whatsoever, except as authorised by Trend® Windows & Doors in writing, are strictly prohibited. Patents and Design Registrations pending.

# Cross Sectional Views

Quantum® Sliding Stacker Door | **Three Lite (FXX)**



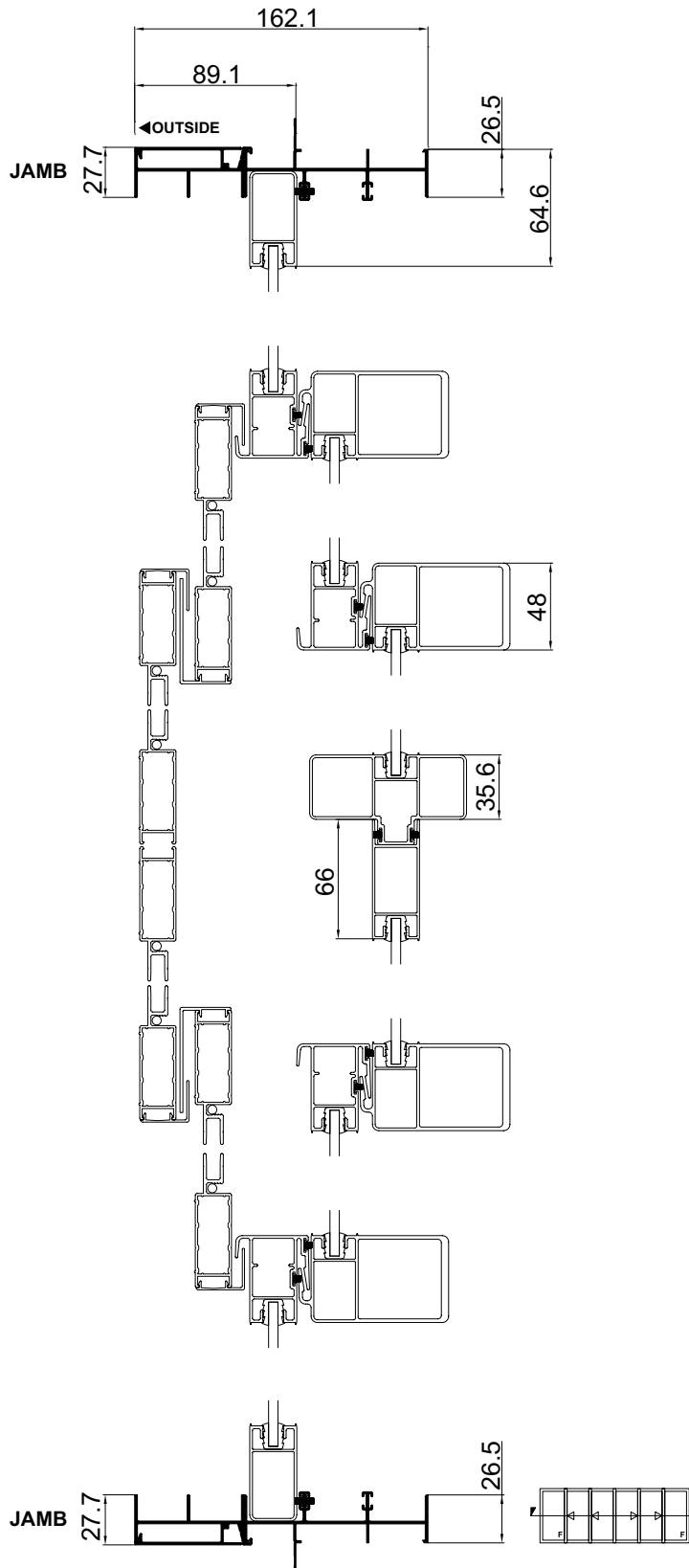
Please note that drawings are not to scale

Quantum® Sliding Stacker Door | QKXD | Mk-4 | 1 Jul 2009

Confidentiality Notice: This document and the information it contains are copyright and confidential to Trend® Windows & Doors Pty Limited. Disclosure, use and copying in any form whatsoever, except as authorised by Trend® Windows & Doors in writing, are strictly prohibited. Patents and Design Registrations pending.

# Cross Sectional Views

Quantum® Sliding Stacker Door | **Six Lite (FXXXXF)**



Please note that drawings are not to scale

Quantum® Sliding Stacker Door | QKXD | Mk-4 | 1 Jul 2009

Confidentiality Notice: This document and the information it contains are copyright and confidential to Trend® Windows & Doors Pty Limited. Disclosure, use and copying in any form whatsoever, except as authorised by Trend® Windows & Doors in writing, are strictly prohibited. Patents and Design Registrations pending.