

Features & Benefits

Hinged / Pivot Door

1. *Product Options*

The Crestlite® Hinged/Pivot Door is available in a number of options to suit wherever a Commercial Door is required. Inward or Outward or both is available. A variety of thresholds are also available including disability access.

2. *Glazing*

The Crestlite® Hinged Door has a number of glazing options for energy efficiency and acoustic requirements. Glazing is available in 5mm toughened glass up to 12.38mm only.

Glazing is made with ease utilising a secure captive wedge option, which allows for efficient installation. The frame contains deep pockets which allows for greater overlapping strength of the glass which can accept up to 12.38mm in size.

3. *Door Heights*

Please contact Trend® Commercial Sales Executive for heights and ratings.

4. *Door Panels*

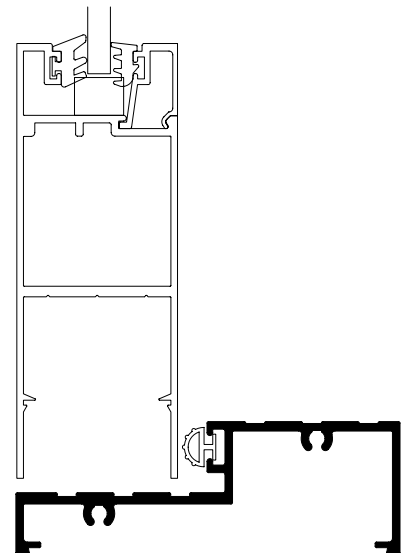
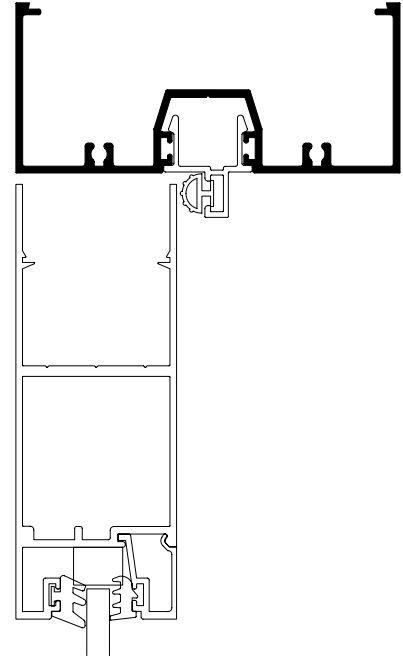
Mid Rail options of 50 or 115mm are available. Optional 50mm glue on bars are also available. Standard 65mm stiles with optional 115mm for a robust sturdy look.

5. *Hardware*

The Crestlite® Commercial Door has a standard range of hardware including hinges, closers and specialised handles. Please contact a Trend® Sales Representative for project specific requirements.

6. *Finishes*

Powdercoated finishes are available in a range of colours and finishes including Warranty Powders and Anodised options to suit most commercial applications.

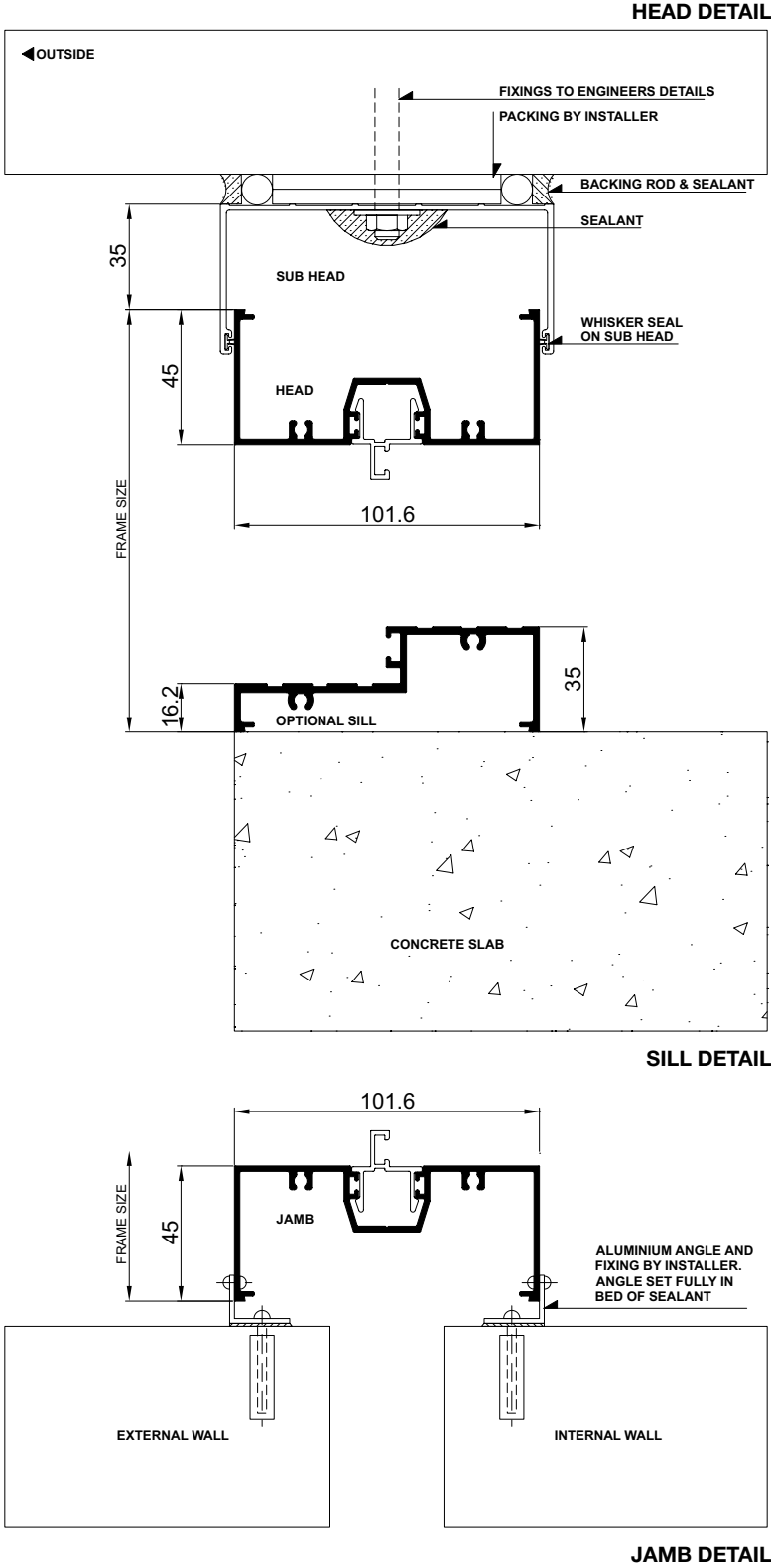


Please note that drawings are not to scale

Hinged / Pivot Door | C-CR-HD | Mk-4 | 1 Jul 2009

Installation

Hinged / Pivot Door | Building In Details | **Generic Detail**

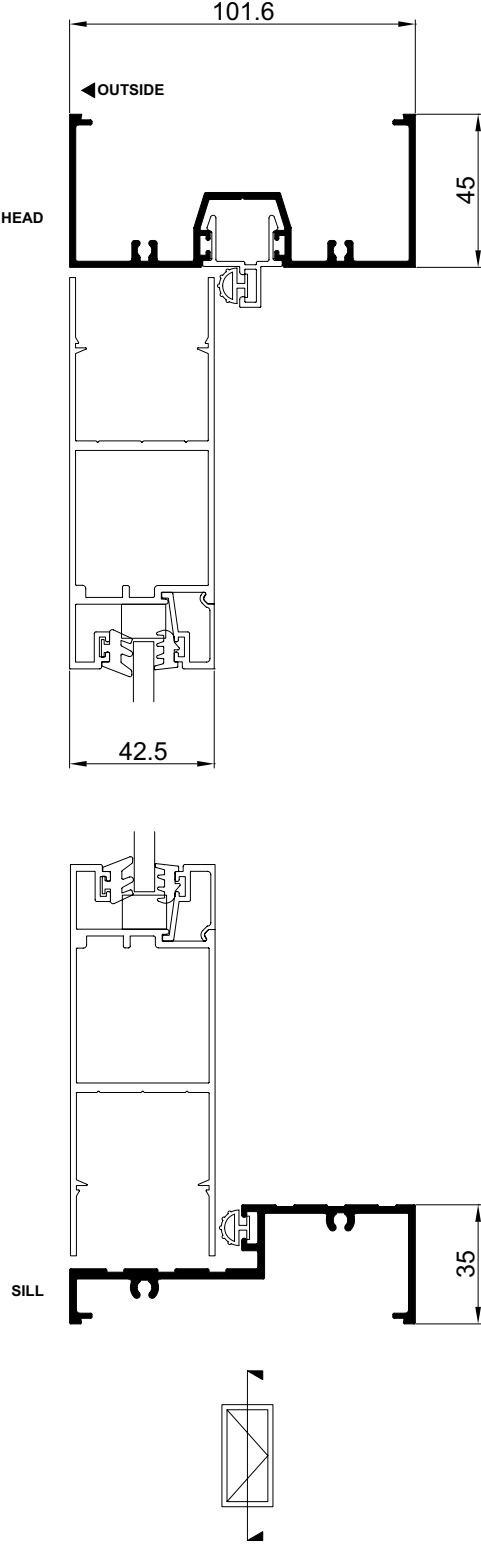


Please note that drawings are not to scale
Hinged / Pivot Door | C-CR-HD | Mk-4 | 1 Jul 2009

Confidentiality Notice: This document and the information it contains are copyright and confidential to Trend® Windows & Doors Pty Limited. Disclosure, use and copying in any form whatsoever, except as authorised by Trend® Windows & Doors in writing, are strictly prohibited. Patents and Design Registrations pending.

Cross Sectional Views

Hinged / Pivot Door | **Rebated Threshold**

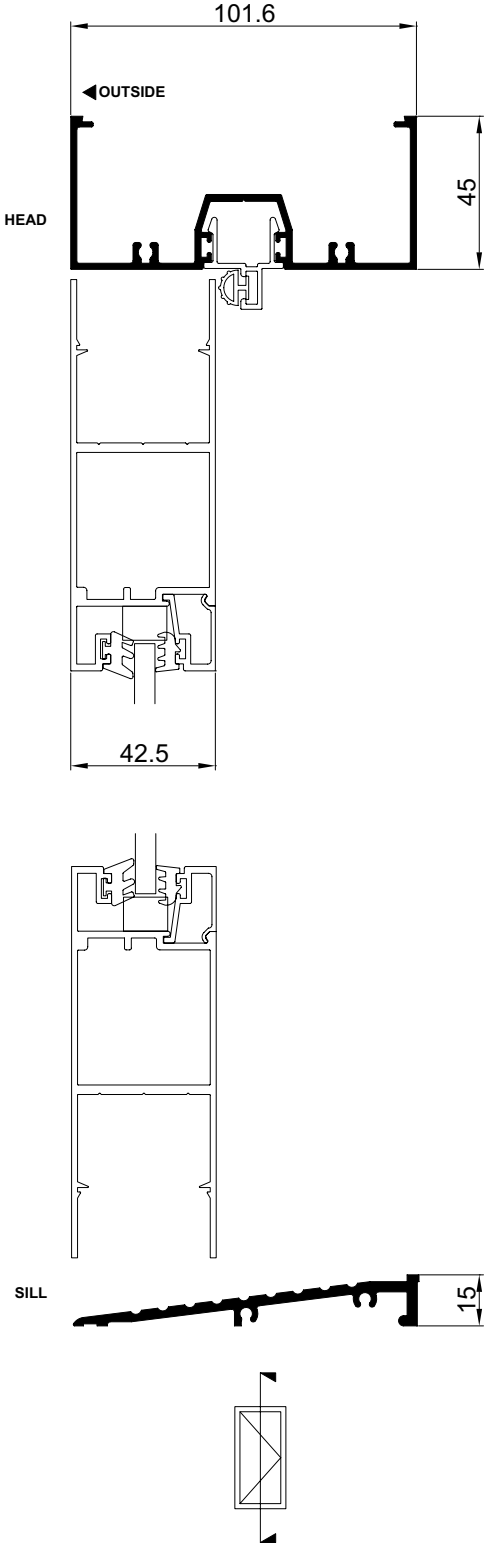


Please note that drawings are not to scale
Hinged / Pivot Door | C-CR-HD | Mk-4 | 1 Jul 2009

Confidentiality Notice: This document and the information it contains are copyright and confidential to Trend® Windows & Doors Pty Limited. Disclosure, use and copying in any form whatsoever, except as authorised by Trend® Windows & Doors in writing, are strictly prohibited. Patents and Design Registrations pending.

Cross Sectional Views

Hinged / Pivot Door | **Disabled Ramp Threshold**

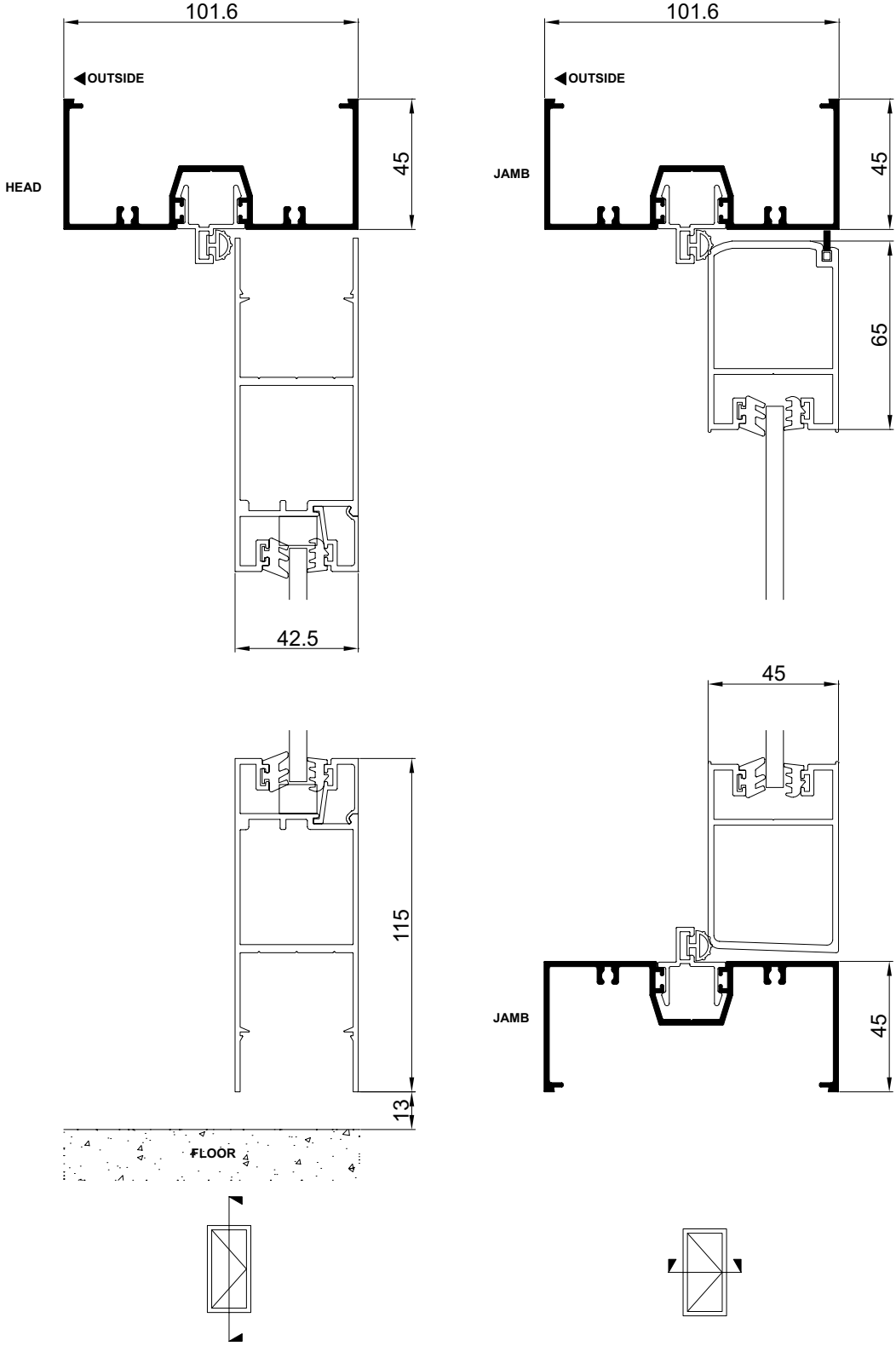


Please note that drawings are not to scale
Hinged / Pivot Door | C-CR-HD | Mk-4 | 1 Jul 2009

Confidentiality Notice: This document and the information it contains are copyright and confidential to Trend® Windows & Doors Pty Limited. Disclosure, use and copying in any form whatsoever, except as authorised by Trend® Windows & Doors in writing, are strictly prohibited. Patents and Design Registrations pending.

Cross Sectional Views

Hinged / Pivot Door | **Single - Open In**

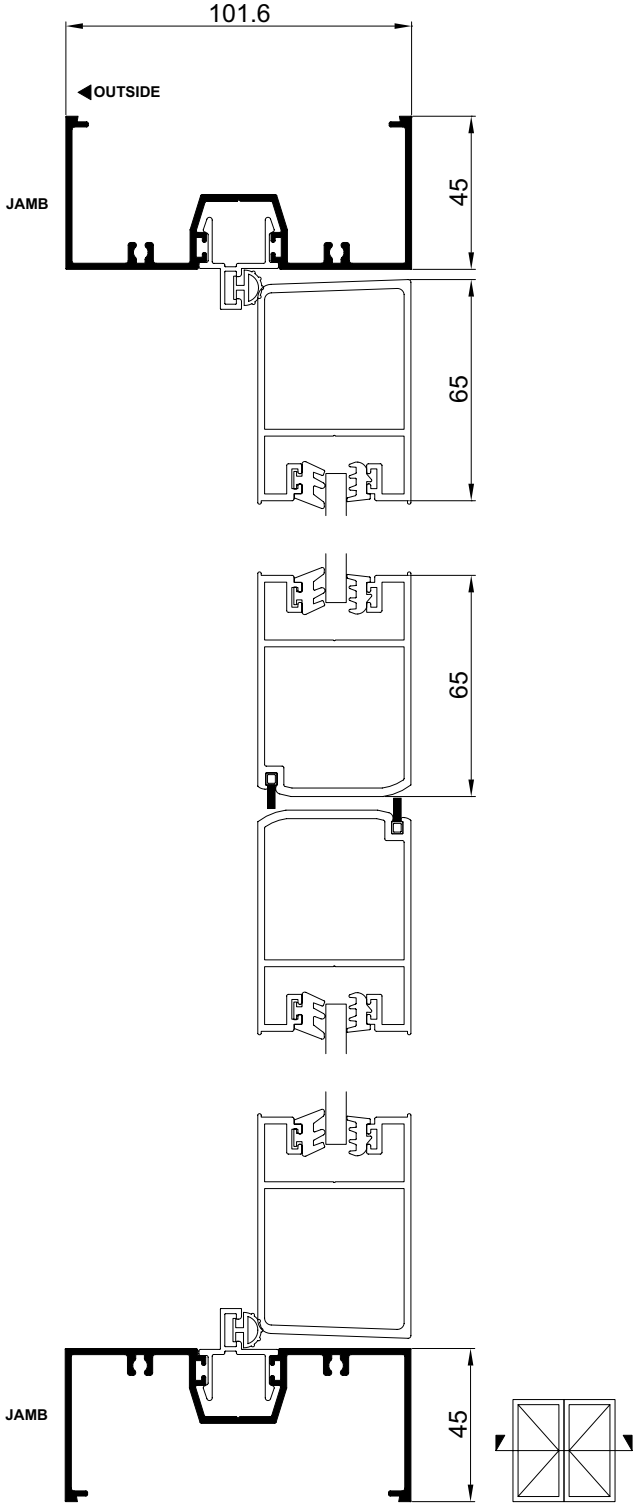


Please note that drawings are not to scale
Hinged / Pivot Door | C-CR-HD | Mk-4 | 1 Jul 2009

Confidentiality Notice: This document and the information it contains are copyright and confidential to Trend® Windows & Doors Pty Limited. Disclosure, use and copying in any form whatsoever, except as authorised by Trend® Windows & Doors in writing, are strictly prohibited. Patents and Design Registrations pending.

Cross Sectional Views

Hinged / Pivot Door | **Pair - Open In**

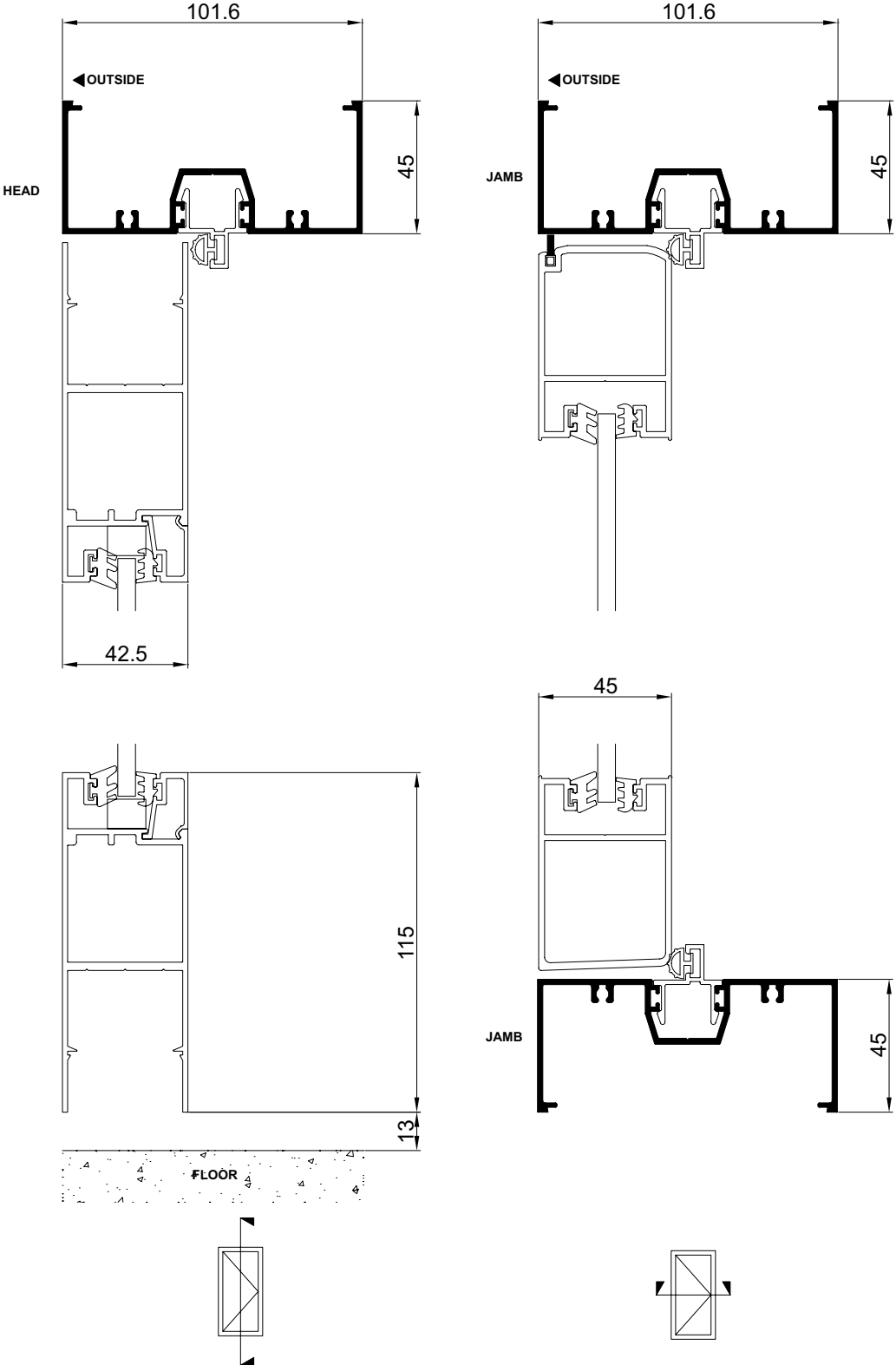


Please note that drawings are not to scale
Hinged / Pivot Door | C-CR-HD | Mk-4 | 1 Jul 2009

Confidentiality Notice: This document and the information it contains are copyright and confidential to Trend® Windows & Doors Pty Limited. Disclosure, use and copying in any form whatsoever, except as authorised by Trend® Windows & Doors in writing, are strictly prohibited. Patents and Design Registrations pending.

Cross Sectional Views

Hinged / Pivot Door | **Single - Open Out**

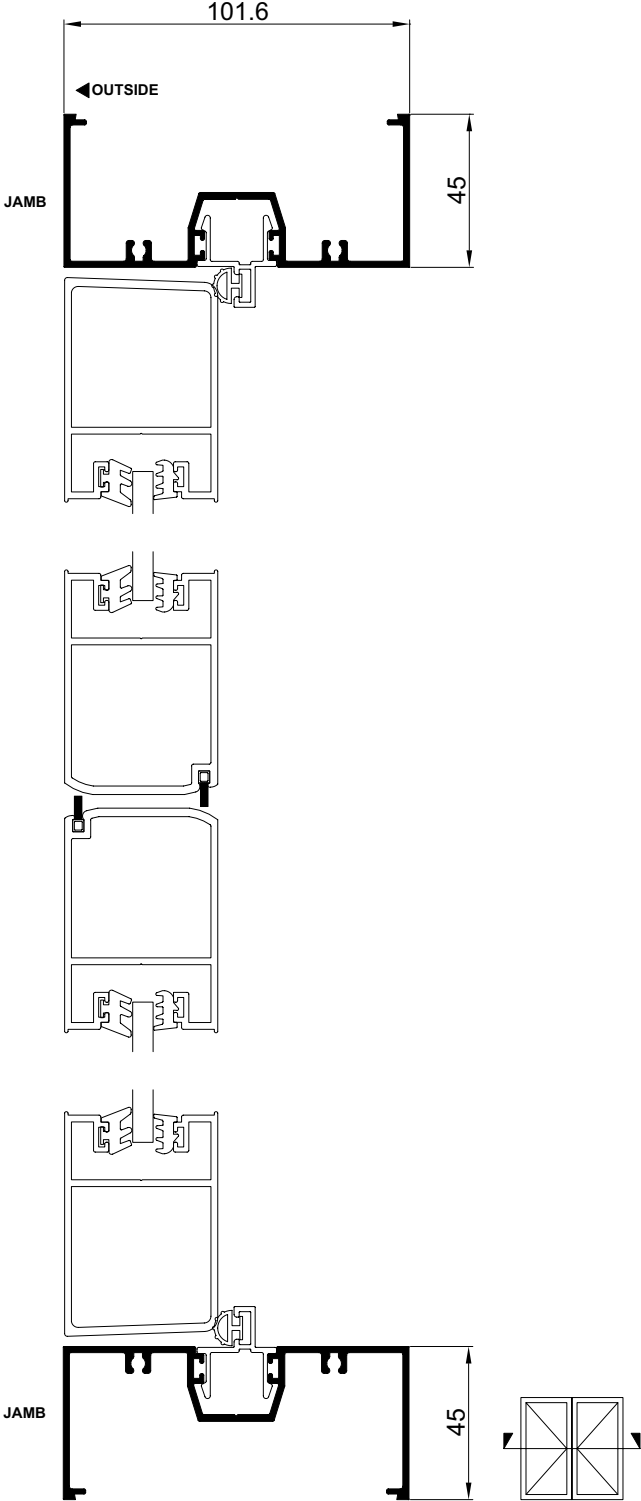


Please note that drawings are not to scale
Hinged / Pivot Door | C-CR-HD | Mk-4 | 1 Jul 2009

Confidentiality Notice: This document and the information it contains are copyright and confidential to Trend® Windows & Doors Pty Limited. Disclosure, use and copying in any form whatsoever, except as authorised by Trend® Windows & Doors in writing, are strictly prohibited. Patents and Design Registrations pending.

Cross Sectional Views

Hinged / Pivot Door | **Pair - Open Out**



Please note that drawings are not to scale
Hinged / Pivot Door | C-CR-HD | Mk-4 | 1 Jul 2009

Confidentiality Notice: This document and the information it contains are copyright and confidential to Trend® Windows & Doors Pty Limited. Disclosure, use and copying in any form whatsoever, except as authorised by Trend® Windows & Doors in writing, are strictly prohibited. Patents and Design Registrations pending.