

Features & Benefits

Centre Pocket Framing

1. Framing

The Crestlite® centre glaze commercial suite offers a standard commercial look for commercial developments, apartments or high-rise residential projects

This frame allows for large fixed lite applications for greater viewing area. Frame dimension is 45mm x 102mm

2. Glazing

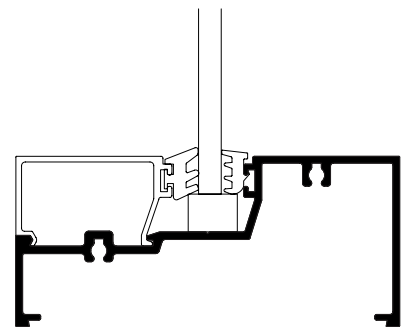
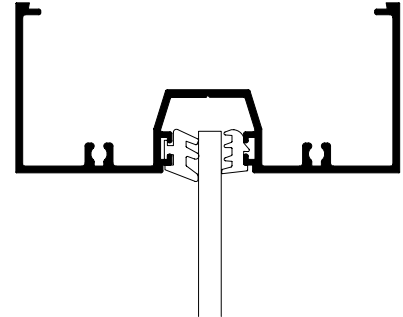
Glazing is made easy utilising a secure captive wedge option, which allows for efficient installation. The frame contains deep pockets which allows for greater overlapping strength of the glass which can accept up to 12.38mm glass thickness.

3. Finishes

Powdercoated finishes are available in a range of colours and finishes including Warranty Powders and Anodised options to suit most commercial applications.

4. Frame Adaptability

Crestlite® hinged or pivot door and awning sash is designed to be adapted to this frame.

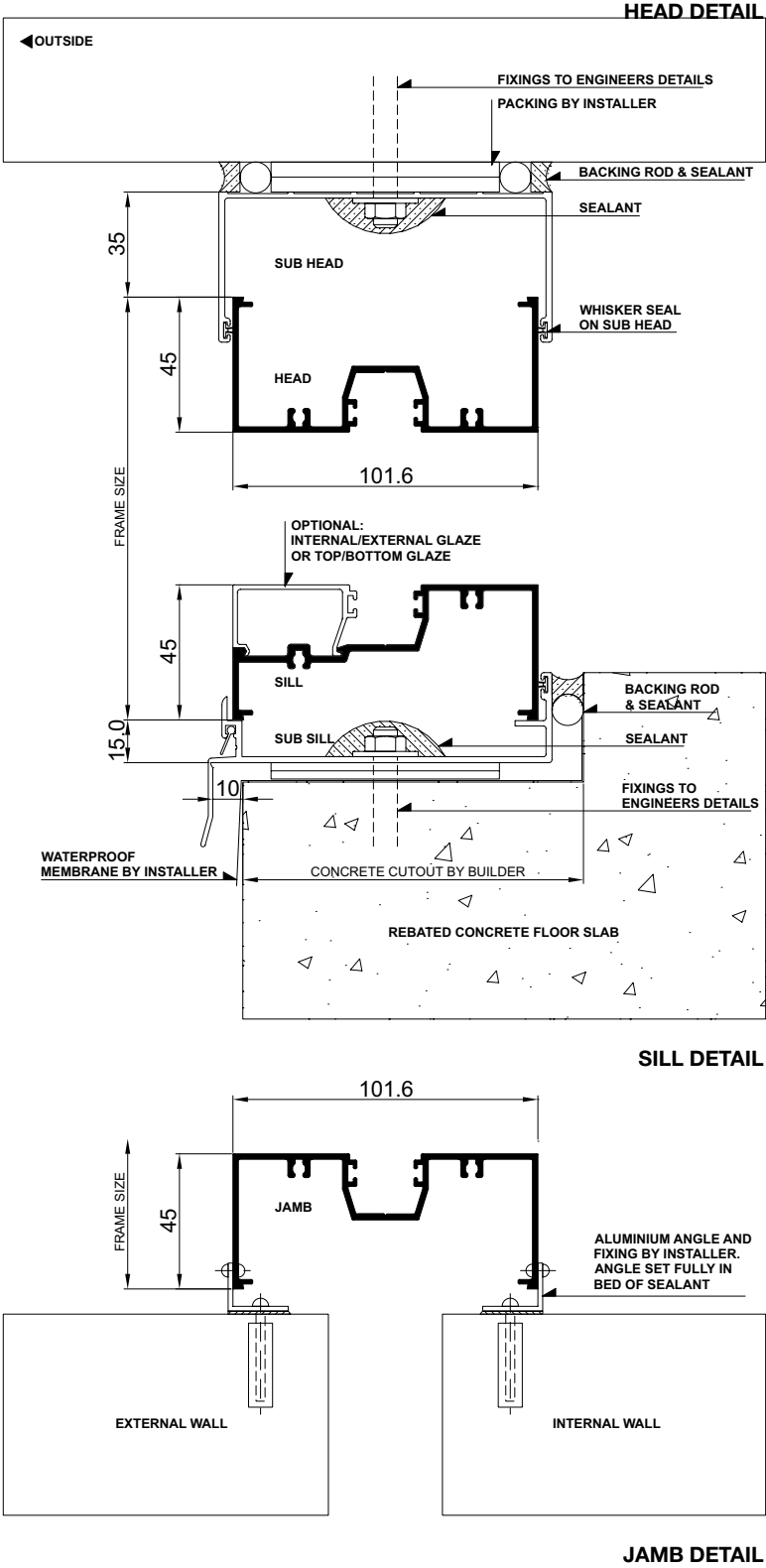


Please note that drawings are not to scale

Centre Pocket Framing | C_CR_CG | Mk-4 | 1 Jul 2009

Installation

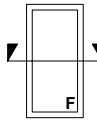
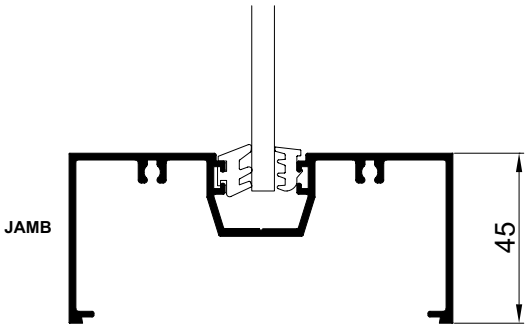
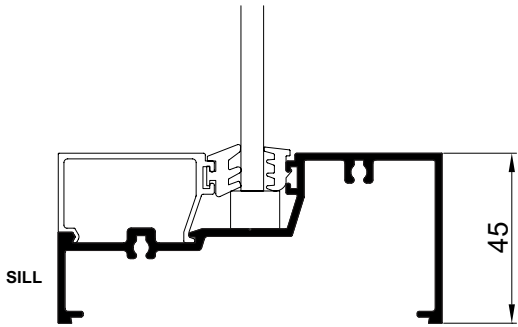
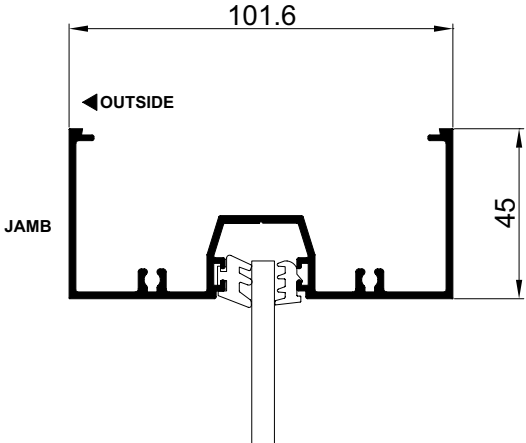
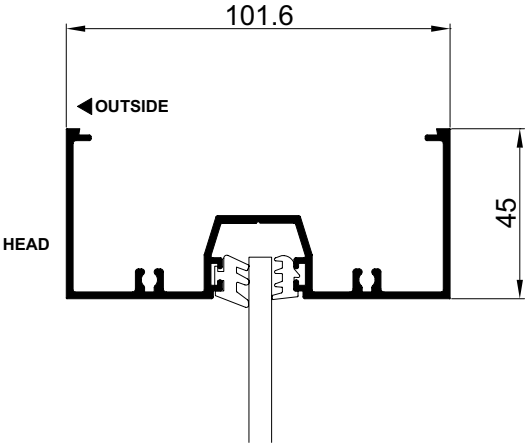
Centre Pocket Framing | Building In Details | **Generic Detail**



Confidentiality Notice: This document and the information it contains are copyright and confidential to Trend® Windows & Doors Pty Limited. Disclosure, use and copying in any form whatsoever, except as authorised by Trend® Windows & Doors in writing, are strictly prohibited. Patents and Design Registrations pending.

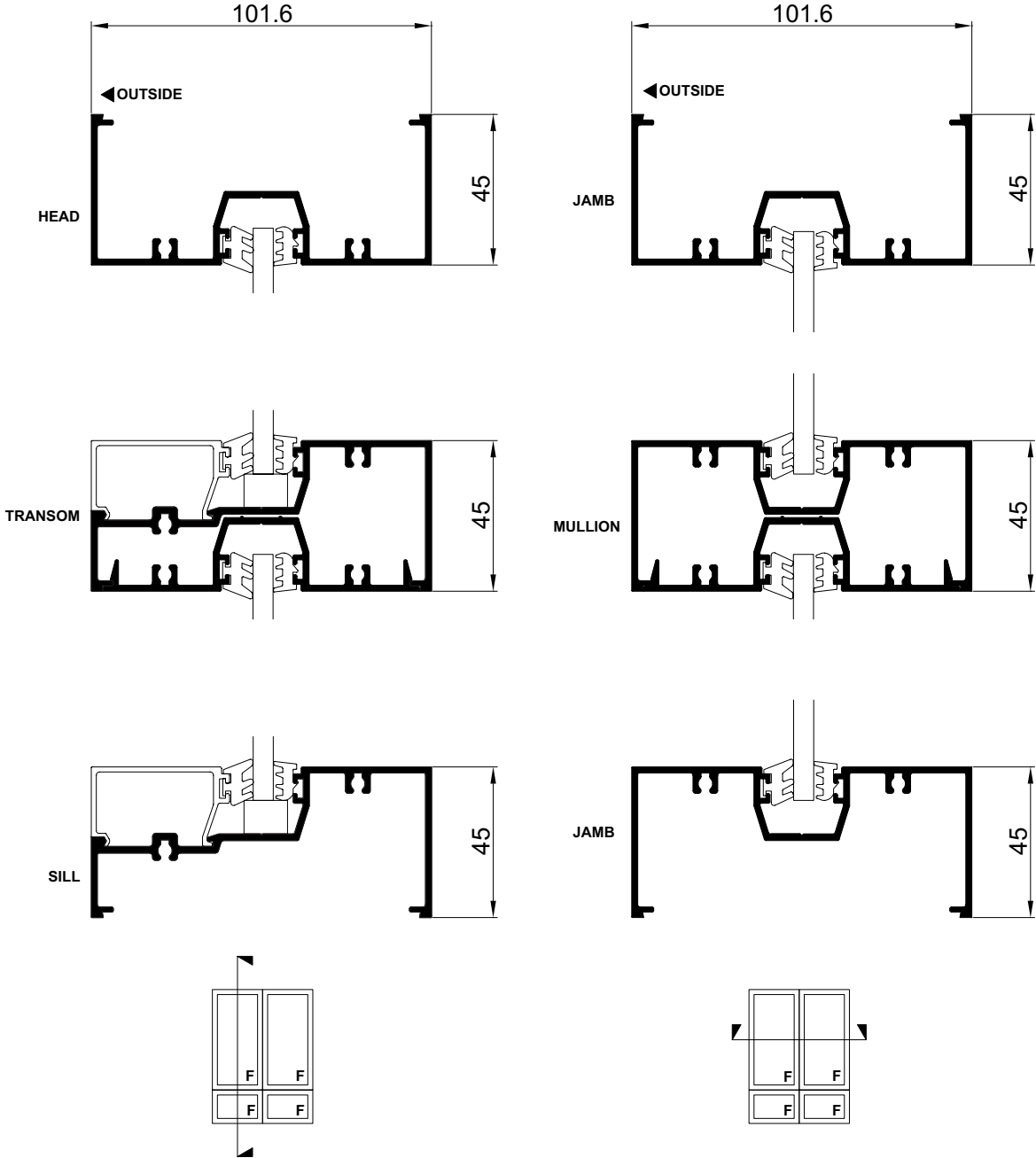
Cross Sectional Views

Centre Pocket Framing | **Single Lite**



Cross Sectional Views

Centre Pocket Framing | **Two Lite with Lowlite**



Please note that drawings are not to scale
Centre Pocket Framing | C_CR.CG | Mk-4 | 1 Jul 2009

Confidentiality Notice: This document and the information it contains are copyright and confidential to Trend® Windows & Doors Pty Limited. Disclosure, use and copying in any form whatsoever, except as authorised by Trend® Windows & Doors in writing, are strictly prohibited. Patents and Design Registrations pending.