

# THERMAL ENERGY EFFICIENT SERIES

Thermally Broken Windows and Doors



A JELD-WEN Company

# ENERGY EFFICIENCY



## GOING GREEN

Sustainable living is no longer a concept of the future, a growing number of builders, homeowners and architects are exploring sustainable construction solutions.



## NCC CHANGES

The NCC 2022 changes include increasing the stringency of the energy efficiency provisions for residential buildings.



## SECTION J

Over recent years energy efficient requirements for multi-residential and commercial buildings have also become more stringent.



## THERMAL PERFORMANCE

The new thermally broken series from Trend provides an energy efficient solution to meet the increasing demands for thermal performance.



## FULLY TESTED

The series has been rigorously tested to suit a host of different performance requirements, to suit a range of applications.



## FEATURED PACKED

Designed to meet the demands of architecturally designed homes, multi-residential projects and commercial buildings the range is feature packed.

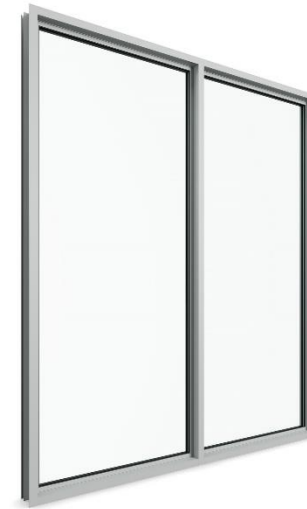
# THE RANGE - WINDOWS



Awning



Sliding and Stacking



Fixed  
Inc. Aneeta and Breezway

# THE RANGE - DOORS



# THERMAL ENERGY EFFICIENT SERIES

Feature Packed



A JELD-WEN Company

& DOORS

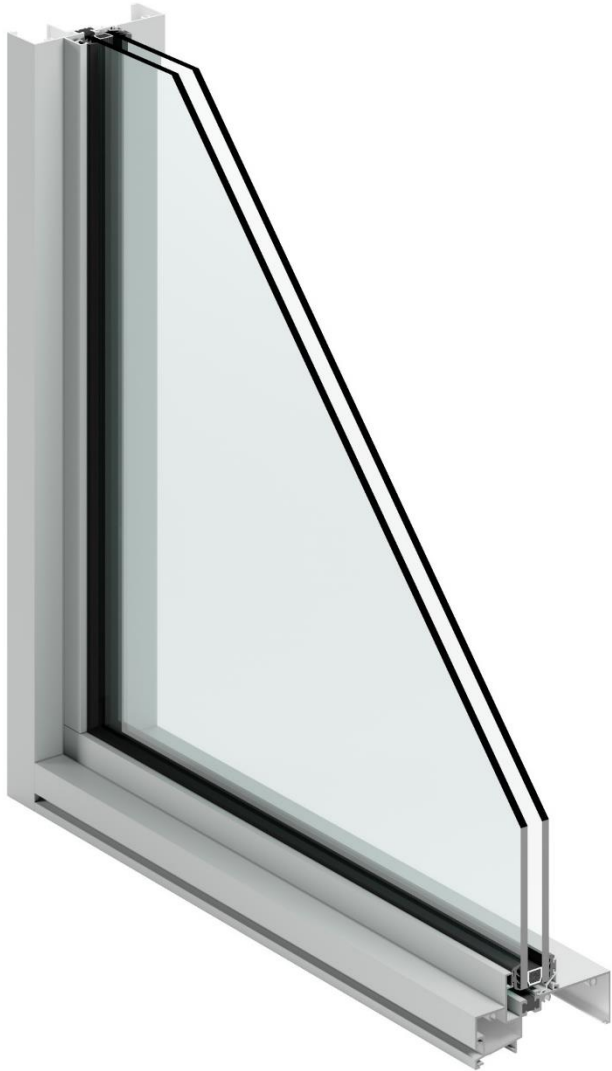
# THERMALLY BROKEN TECHNOLOGY

Thermally broken technology together with high performance double glazing minimises the transfer of heat and cold to provide optimum performance.

- Improved comfort of the building, reduced energy costs
- Avoids condensation build-up on the interior surface of the frame
- Thermally broken sub-framing available

Product	U-value   SHGC
Awning window	3.0 – 5.5   0.29 – 0.51
Sliding window	2.5 – 5.6   0.34 – 0.60
Stacking window	2.5 – 5.6   0.34 – 0.60
Fixed window	2.2 – 5.7   0.39 – 0.69
Sliding door	2.2 – 5.5   0.36 – 0.64
Stacking door	2.2 – 5.5   0.36 – 0.64
Hinged door	2.3 – 5.0   0.29 – 0.51





# **BOLD DESIGN AESTHETIC**

Straight cut sashes and panels and clean lines creates a symmetrical modern design aesthetic.

A close-up photograph of two window frames joined together. The frames are made of a light-colored material, possibly aluminum or plastic, and have a consistent profile. The joint between the two frames is seamless, with no visible gaps or misalignments. The background is a plain, light color, and the lighting is even, highlighting the texture and finish of the frames.

# SEAMLESS COUPLING

All products have a consistent frame size, creating a seamless look between the range and ideal for coupling of products.

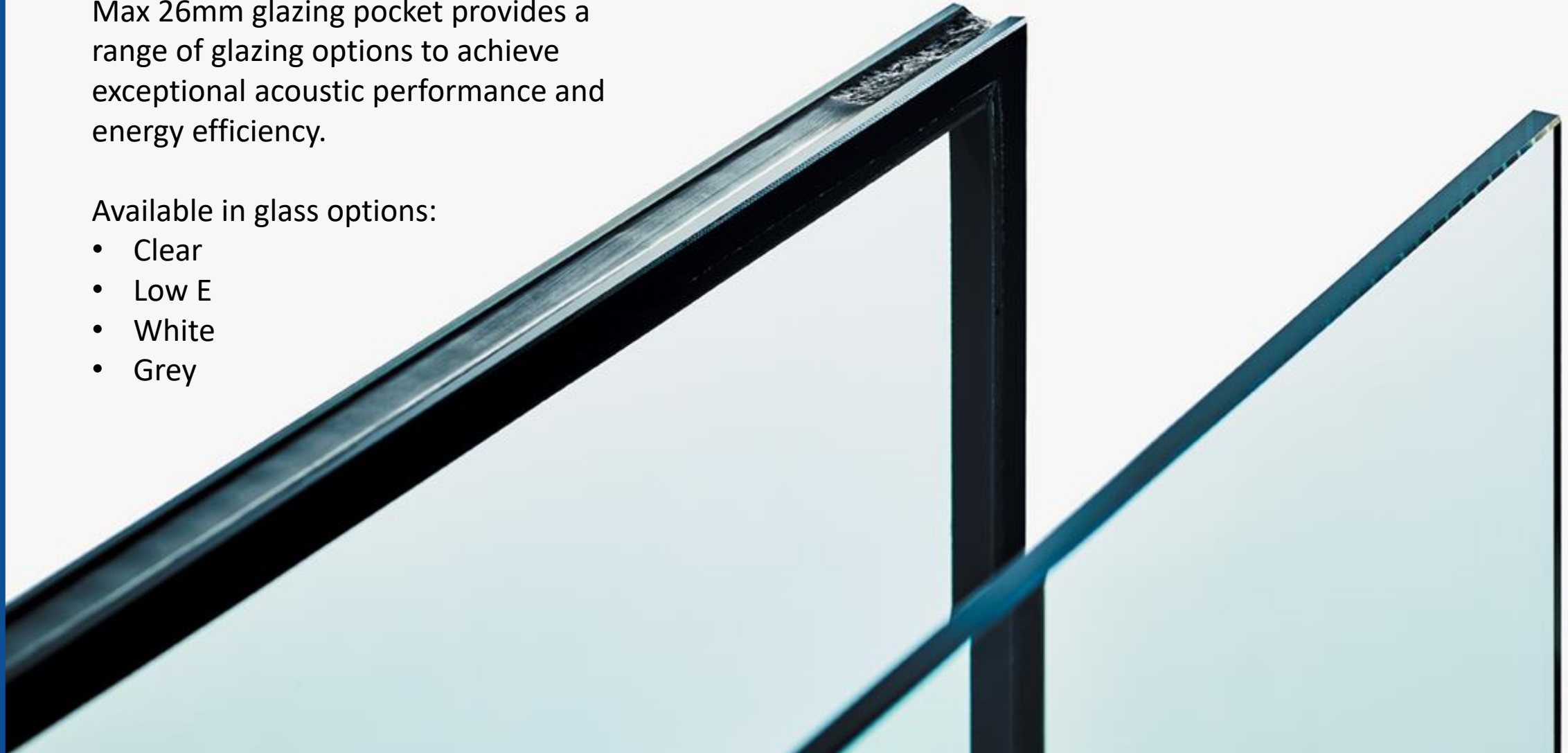


# GLAZING OPTIONS

Max 26mm glazing pocket provides a range of glazing options to achieve exceptional acoustic performance and energy efficiency.

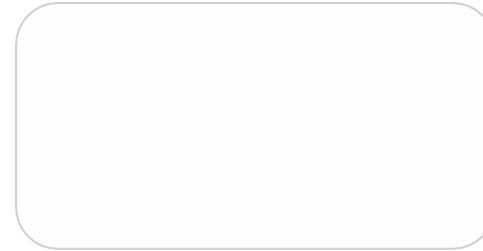
Available in glass options:

- Clear
- Low E
- White
- Grey

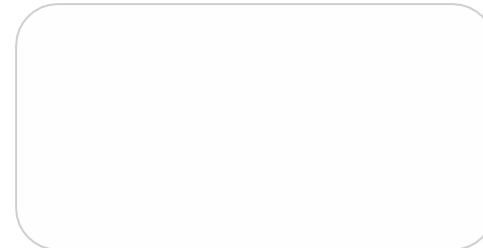


# COLOUR OPTIONS

Frame available in 4 colours: Ultra Black, Monument, Pearl White and Surfmist.



Hardware available in 3 colours: Black, Silver and White.



# SCREENING OPTIONS

All products feature an integrated screen channel which suits any standard flyscreen for a seamless look.





# CONCEALED DRAINAGE

All products feature concealed drainage slots for a clean aesthetic.

SLIDING AND STACKING DOORS

# ARCHITECTURAL SILL OPTIONS

Achieve flush internal and external sills for a seamless transition from indoors to outdoors.

Partnership with



Sub sill designed to suit the  
65mm or 100mm Stormtech Grates



Available Grate Styles



**AR**  
Architectural Grate  
2mm wire / 2.5mm gap



**TR**  
Standard Grate  
3mm wire / 5mm gap



**Ti**  
Tile Insert



**MND**  
Marc Newson  
Design



**PS**  
Punched Slot



**PPS**  
Punched  
Perpendicular

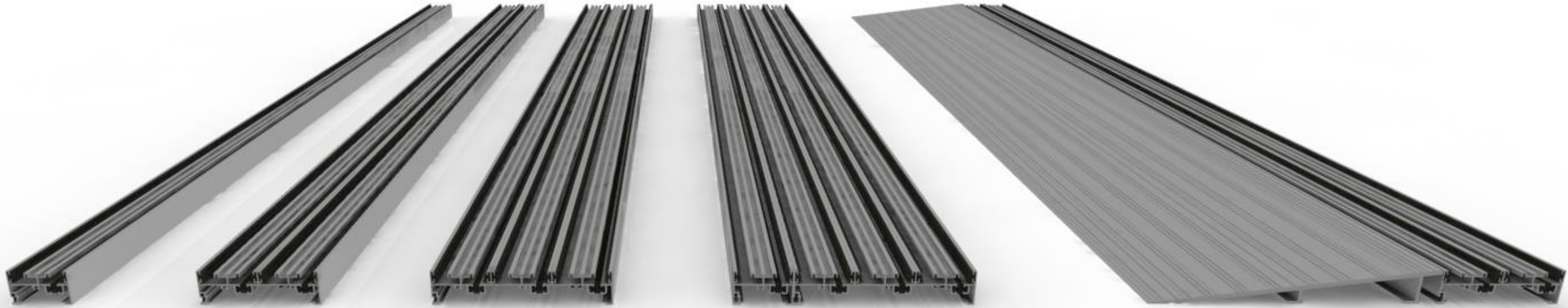


**PAS**  
Punched Angle

SLIDING AND STACKING DOORS

# FLEXIBLE CONFIGURATIONS

Wide range of sill options for flexibility in sliding and stacking door configurations. Disability compliant when rebated and disability ramped sill option available.



## HINGED DOORS

# FLEXIBLE CONFIGURATIONS

For hinged doors, a flat sill option is available which suits a sump sill for small water egress. The standard sill allows for both open in and open out options.

No sill option available with automatic panel seal.



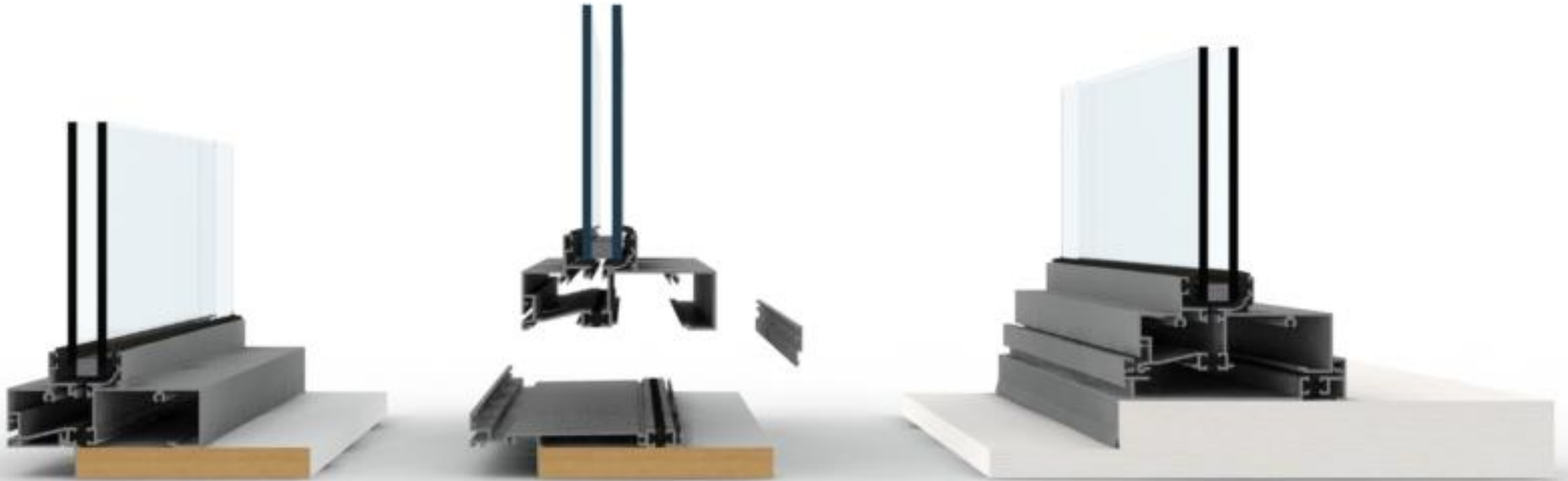
Flat sill

Standard sill for open in and open out configurations

# INSTALLATION

Reveal and sub framing options available to suit a range of residential and commercial applications.

- Revealed – suits brick veneer or lightweight construction.
- NEW revealed perimeter frame – perimeter frame is installed prior to windows and doors.
- Sub frame – suits commercial and architectural installation.



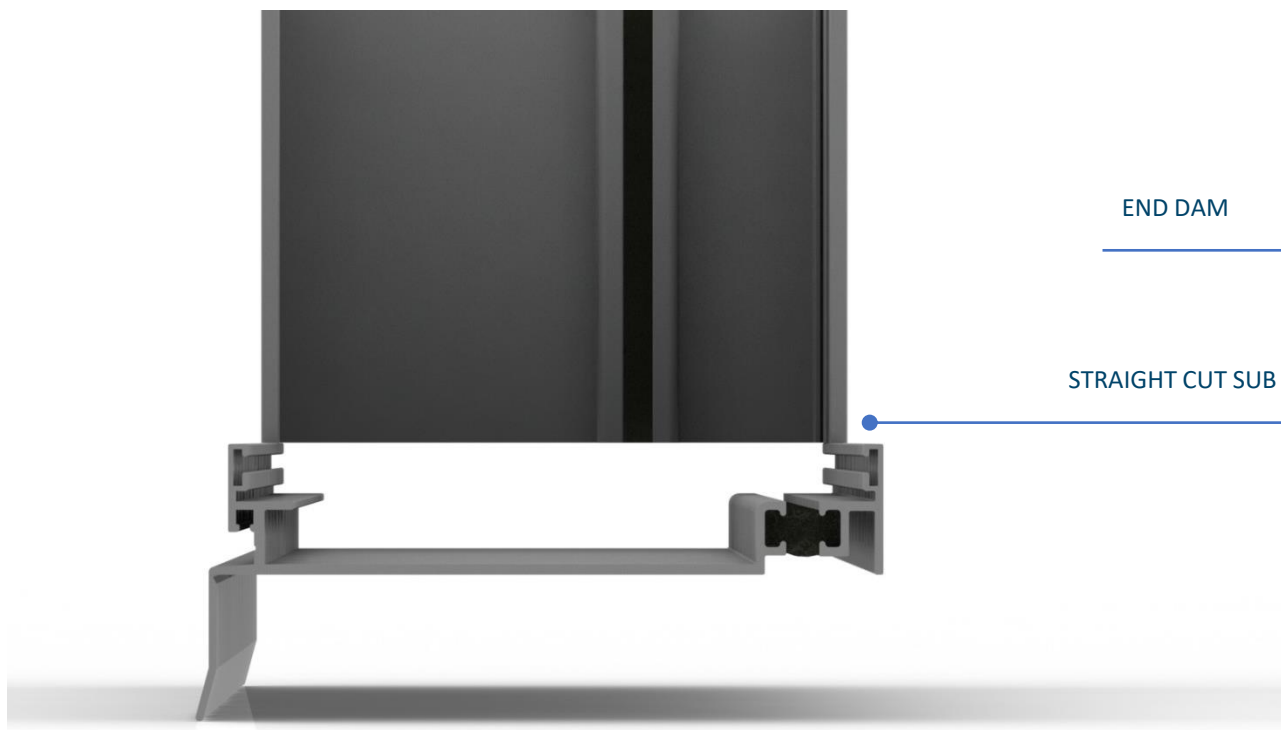
Revealed

NEW revealed perimeter frame

Sub frame

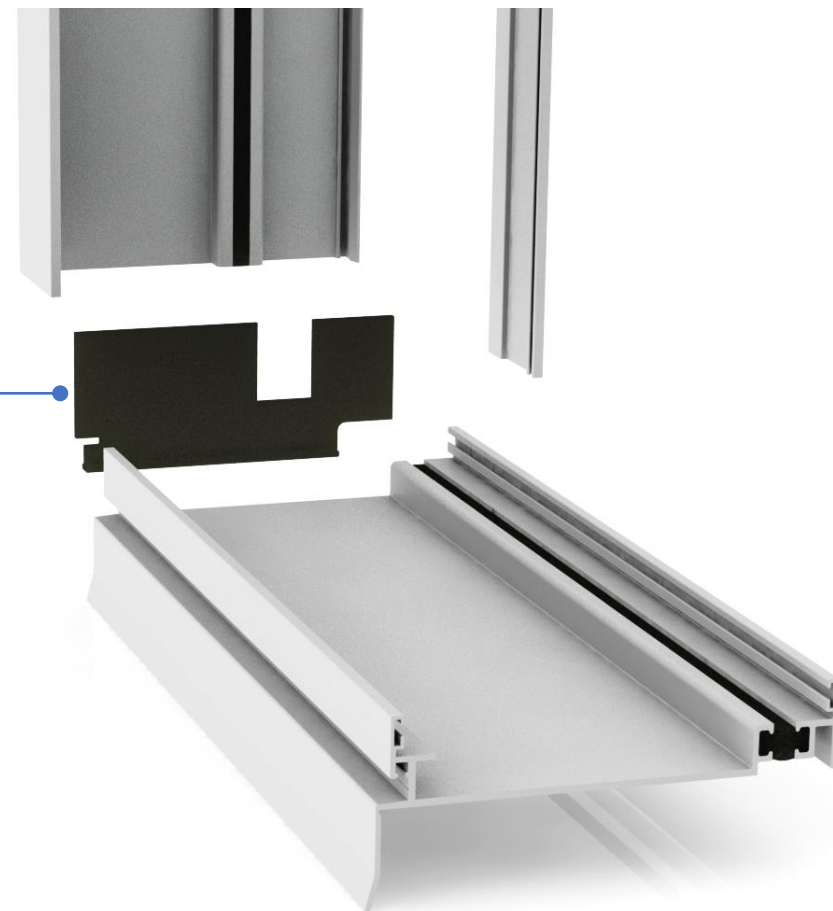


# INSTALLATION



END DAM

STRAIGHT CUT SUB JAMB



# THERMAL ENERGY EFFICIENT SERIES

Product Specifications



A JELD-WEN Company

& DOORS

# AWNING WINDOW

## SPECIFICATIONS

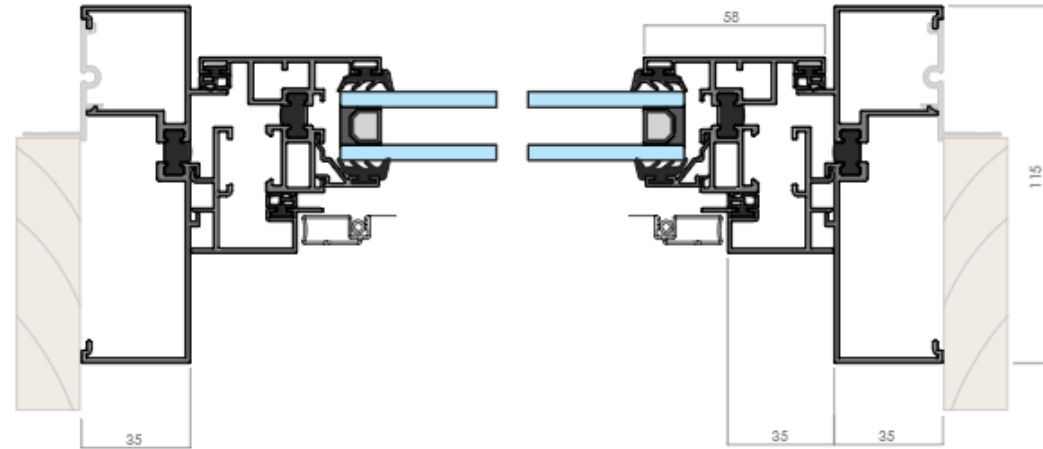
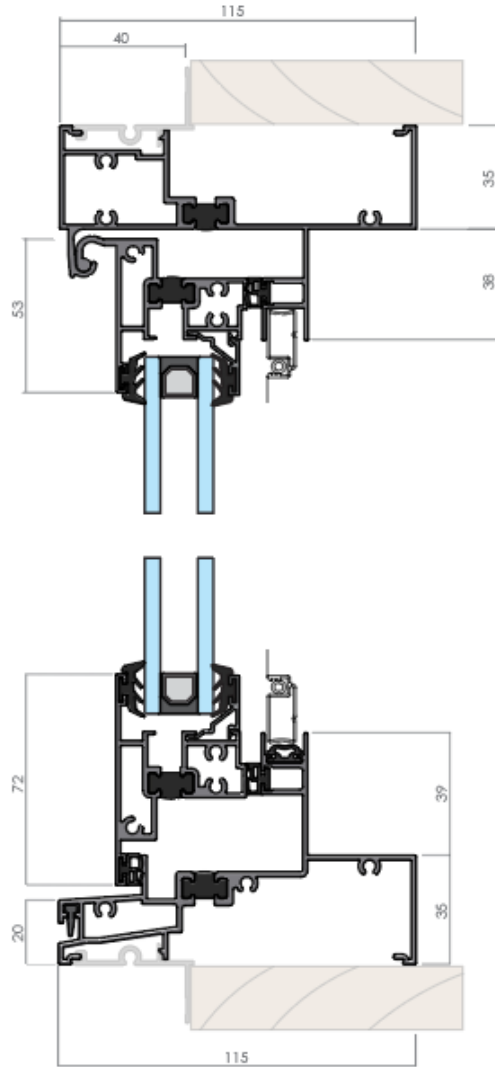
<b>Frame profile</b>	115mm x 35mm
<b>Size limitations (Sash Sizes)</b>	2400mm x 1200mm OR 1000mm x 2400mm
<b>Glazing</b>	4mm – 24mm Single and double glazing
<b>BAL rating</b>	Deemed to satisfy BAL29
<b>Seal type</b>	Double Bulb Seal
<b>Colour options</b>	Black, White, Surfmist, Monument
<b>Screen options</b>	Flyscreen & Barrier
<b>Hardware options</b>	<ul style="list-style-type: none"><li>• Chain winder</li><li>• Hook Hinge</li></ul>
<b>Warranty</b>	10-year warranty

## PERFORMANCE

<b>Wind and water performance</b>	
<b>Performance criteria</b>	<b>Rating</b>
<b>SLS</b>	1800Pa
<b>ULS</b>	3000Pa
<b>Water</b>	300Pa   600pa (sub sill)
<b>N rating</b>	N5
<b>Thermal performance</b>	
<b>Performance criteria</b>	<b>Rating</b>
<b>U Value   SHGC</b>	3.0 – 5.5   0.29 – 0.51



# AWNING WINDOW



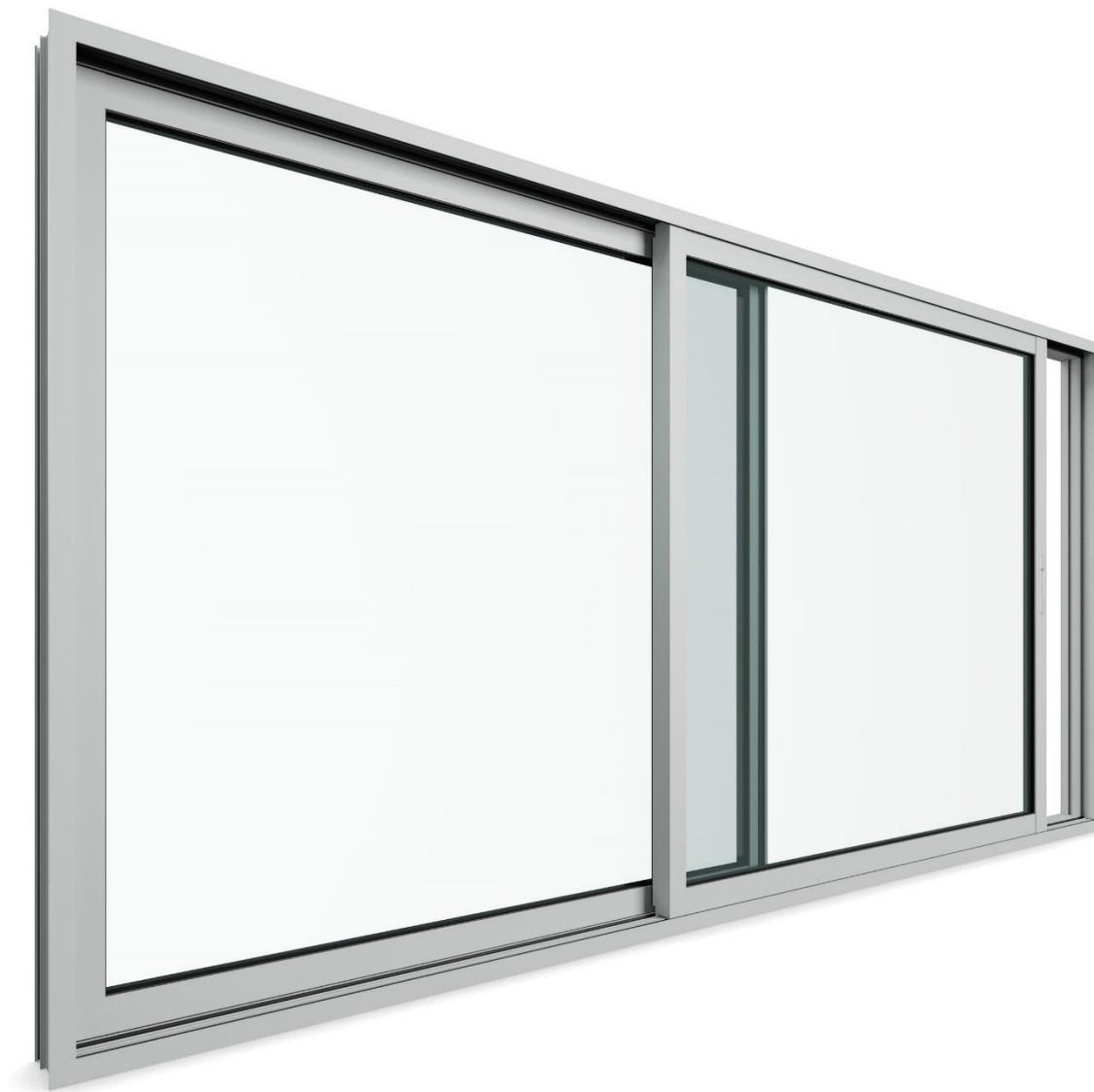
# SLIDING WINDOW

## SPECIFICATIONS

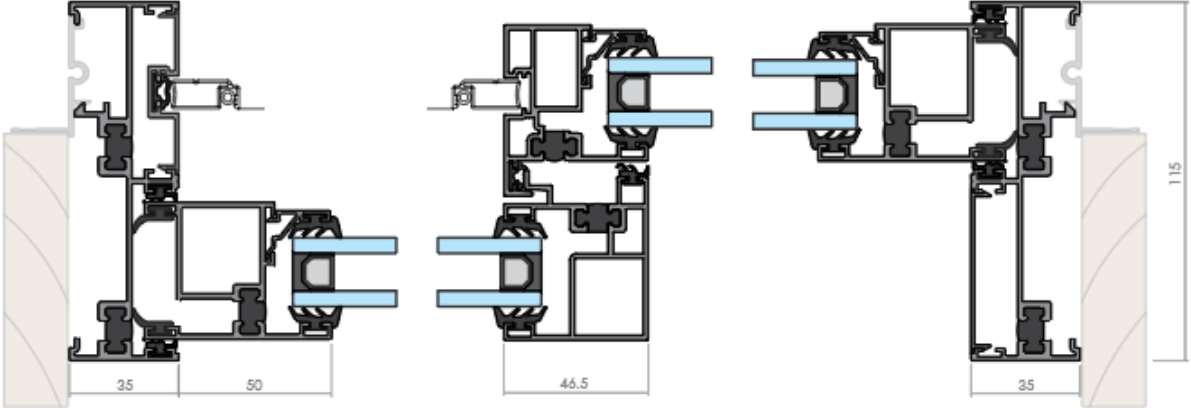
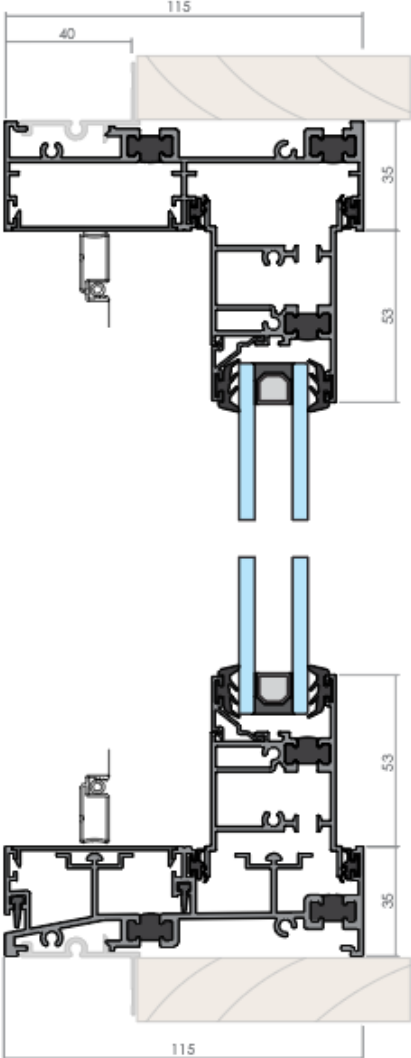
<b>Frame profile</b>	115mm x 35mm
<b>Size limitations (Sash Sizes)</b>	1600mm x 1350mm
<b>Glazing</b>	4mm – 24mm Single and double glazing
<b>BAL rating</b>	Deemed to satisfy BAL29
<b>Seal type</b>	Flexible rubber seals
<b>Colour options</b>	Black, White, Surfmist, Monument
<b>Screen options</b>	Flyscreen & Barrier
<b>Hardware options</b>	<ul style="list-style-type: none"><li>• Flush Mortice Lock &amp; Handle</li><li>• Double wheel rollers</li></ul>
<b>Warranty</b>	10-year warranty

## PERFORMANCE

<b>Wind and water performance</b>	
<b>Performance criteria</b>	<b>Rating</b>
<b>SLS</b>	1500Pa
<b>ULS</b>	3000Pa
<b>Water</b>	300Pa   450pa (Sub sill)
<b>N rating</b>	N5
<b>Thermal performance</b>	
<b>Performance criteria</b>	<b>Rating</b>
<b>U Value   SHGC</b>	2.5 – 5.6   0.34 – 0.60



# SLIDING WINDOW



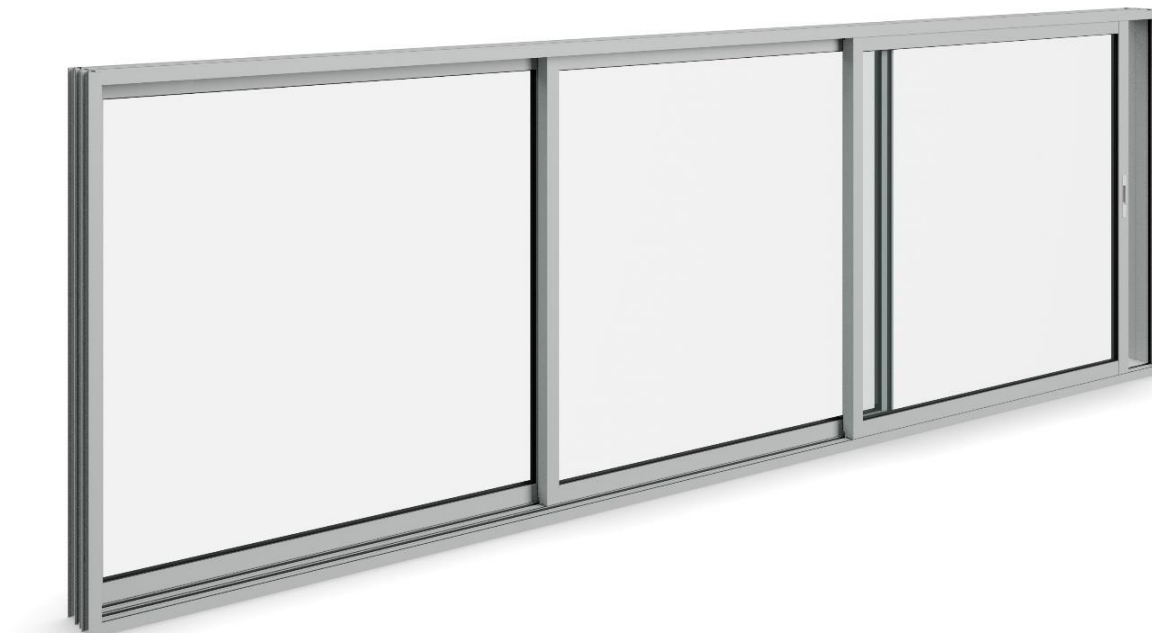
# STACKING WINDOW

## SPECIFICATIONS

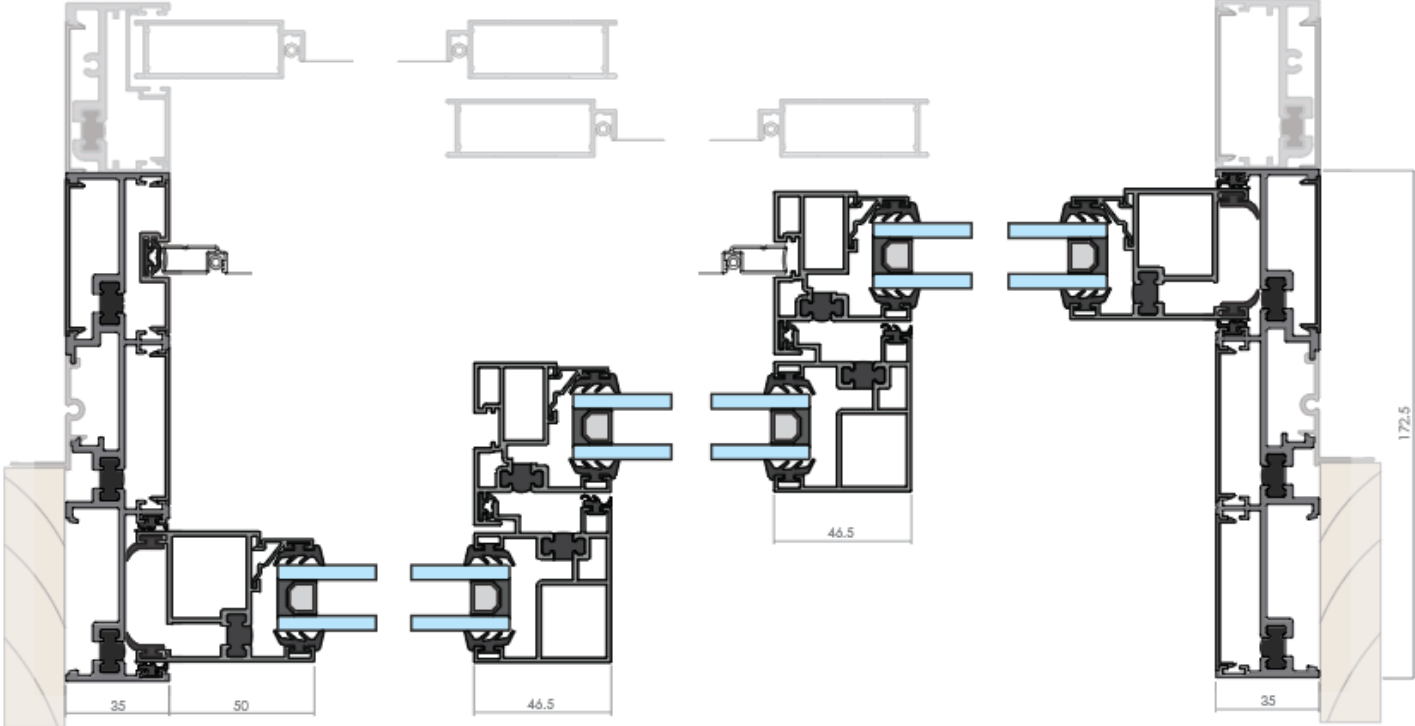
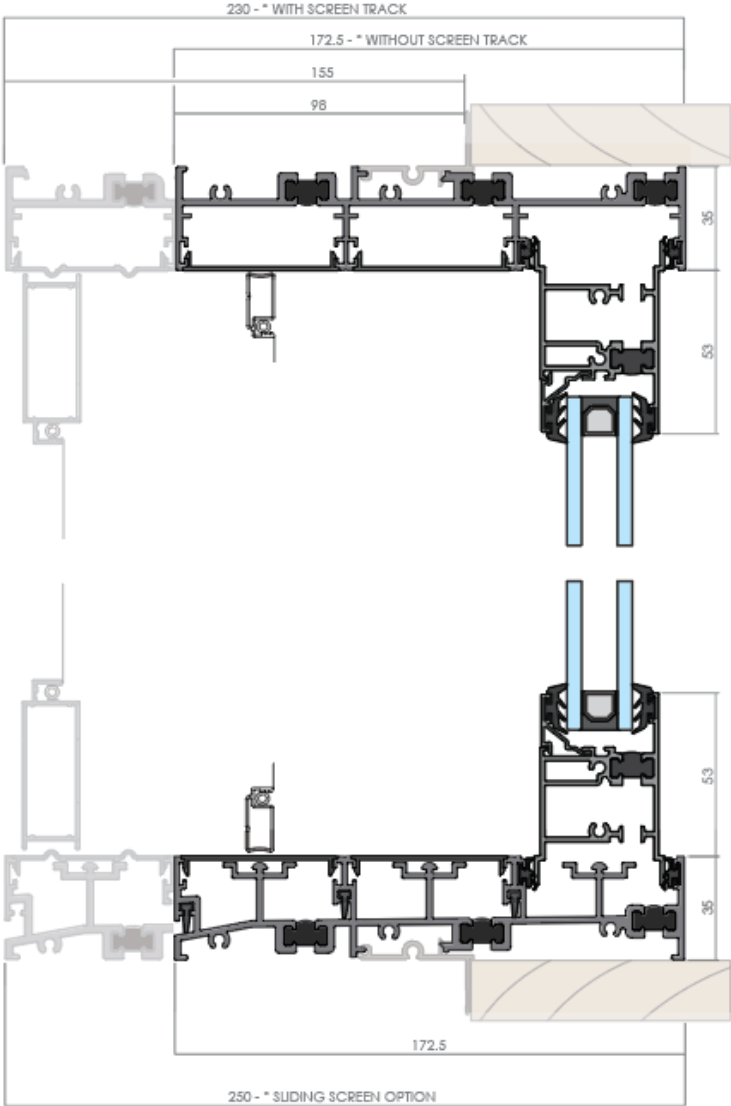
<b>Frame profile</b>	173mm x 35mm
<b>Size limitations (Sash Sizes)</b>	1600mm x 1350mm
<b>Glazing</b>	4mm – 24mm Single and double glazing
<b>BAL rating</b>	Deemed to satisfy BAL29
<b>Seal type</b>	Flexible rubber seals
<b>Colour options</b>	Black, White, Surfmist, Monument
<b>Screen options</b>	Flyscreen & Barrier
<b>Hardware options</b>	<ul style="list-style-type: none"><li>• Flush Mortice Lock &amp; Handle</li><li>• Double wheel rollers</li></ul>
<b>Warranty</b>	10-year warranty

## PERFORMANCE

<b>Wind and water performance</b>	
<b>Performance criteria</b>	<b>Rating</b>
<b>SLS</b>	1500Pa
<b>ULS</b>	3000Pa
<b>Water</b>	300Pa   450pa (Sub sill)
<b>N rating</b>	N5
<b>Thermal performance</b>	
<b>Performance criteria</b>	<b>Rating</b>
<b>U Value   SHGC</b>	2.5 – 5.6   0.34 – 0.60



# STACKING WINDOW





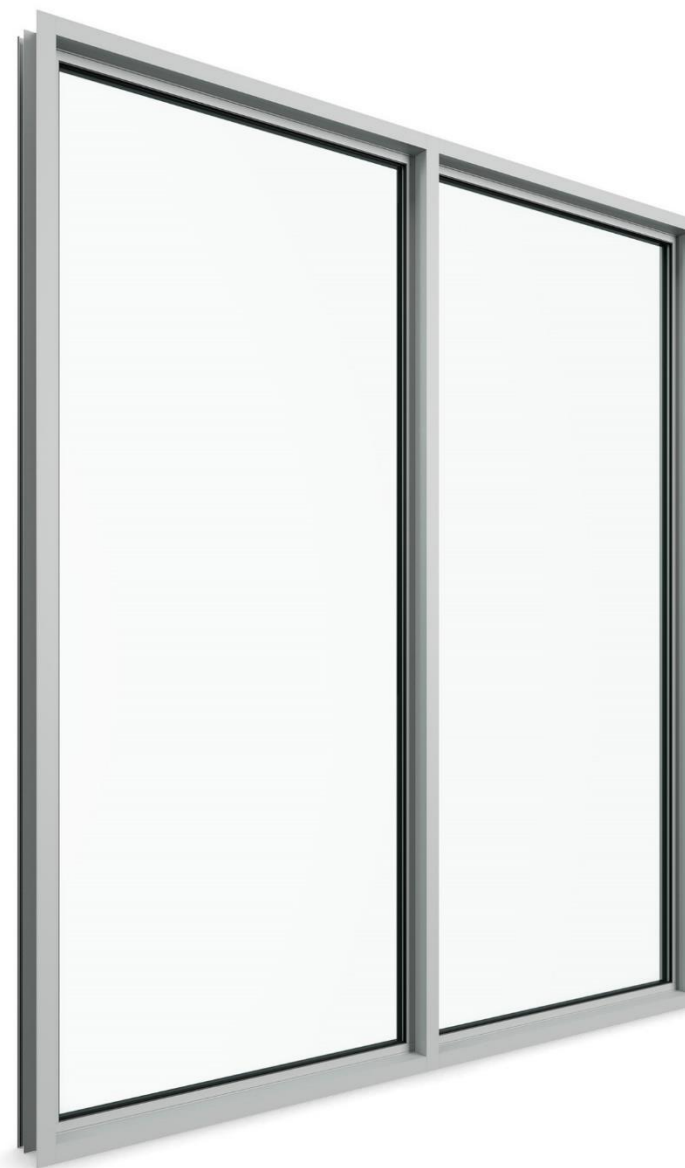
# FIXED WINDOW

## SPECIFICATIONS

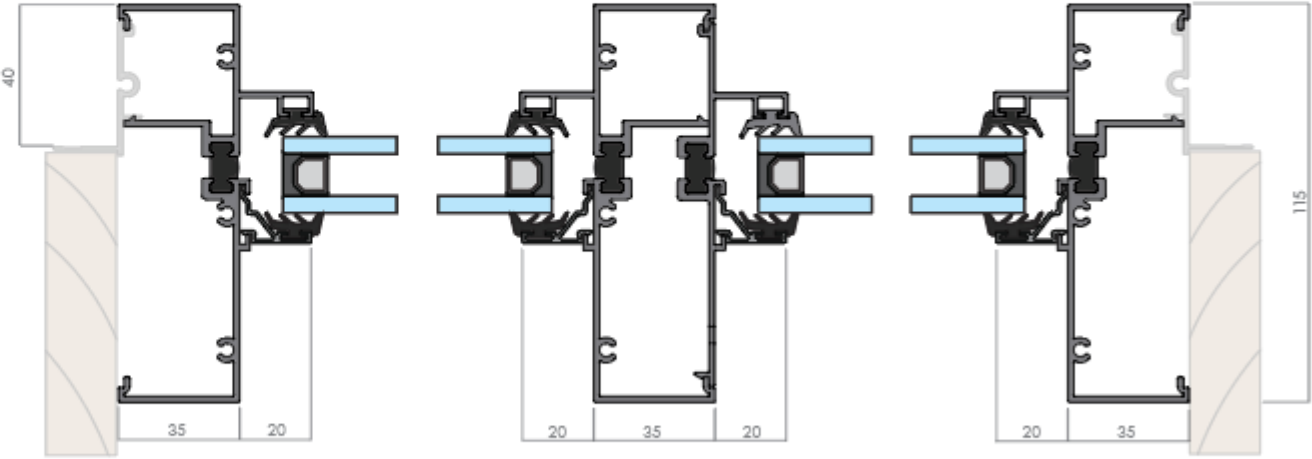
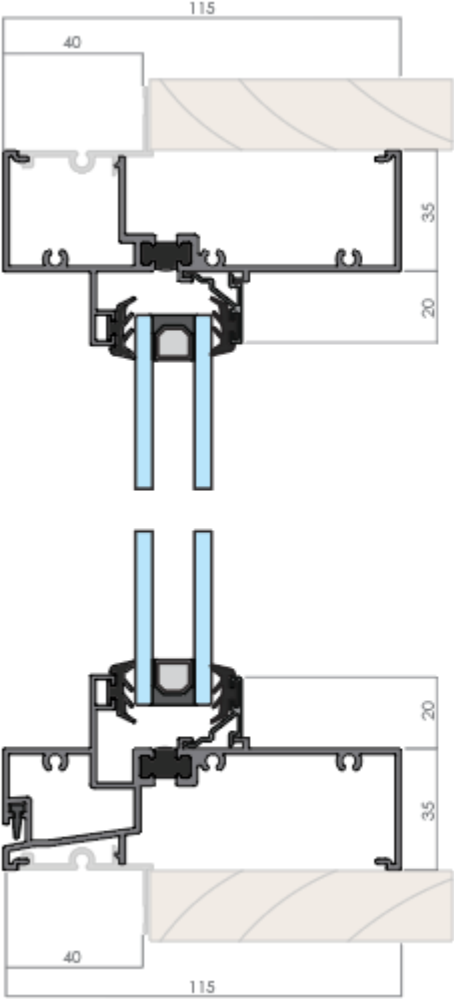
<b>Frame profile</b>	115mm x 35mm
<b>Size limitations</b>	Max 8.0m <sup>2</sup>
<b>Glazing</b>	4mm – 24mm Single and double glazing
<b>BAL rating</b>	Deemed to satisfy BAL29
<b>Seal type</b>	Double wedge seal
<b>Colour options</b>	Black, White, Surfmist, Monument
<b>Screen options</b>	N/A
<b>Hardware options</b>	N/A
<b>Warranty</b>	10-year warranty

## PERFORMANCE

<b>Wind and water performance</b>	
<b>Performance criteria</b>	<b>Rating</b>
<b>SLS</b>	1800Pa
<b>ULS</b>	3000Pa
<b>Water</b>	300Pa   600pa (Sub sill)
<b>N rating</b>	N5
<b>Thermal performance</b>	
<b>Performance criteria</b>	<b>Rating</b>
<b>U Value   SHGC</b>	2.2 – 5.7   0.39 – 0.69



# FIXED WINDOW





# SLIDING DOOR

## SPECIFICATIONS

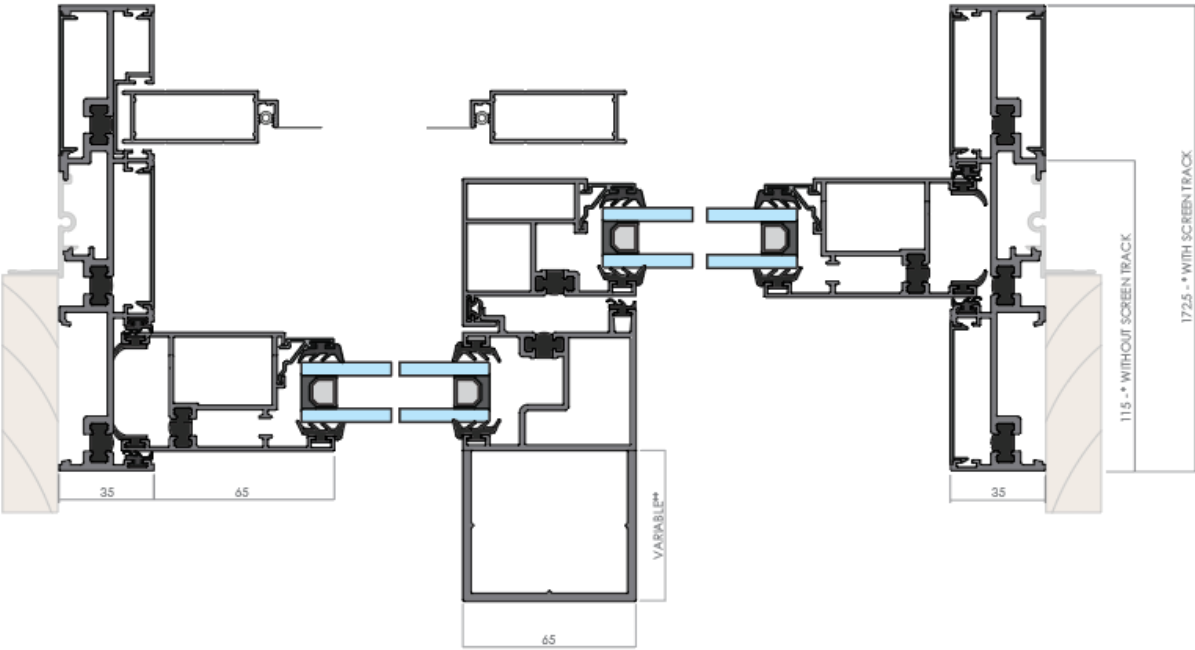
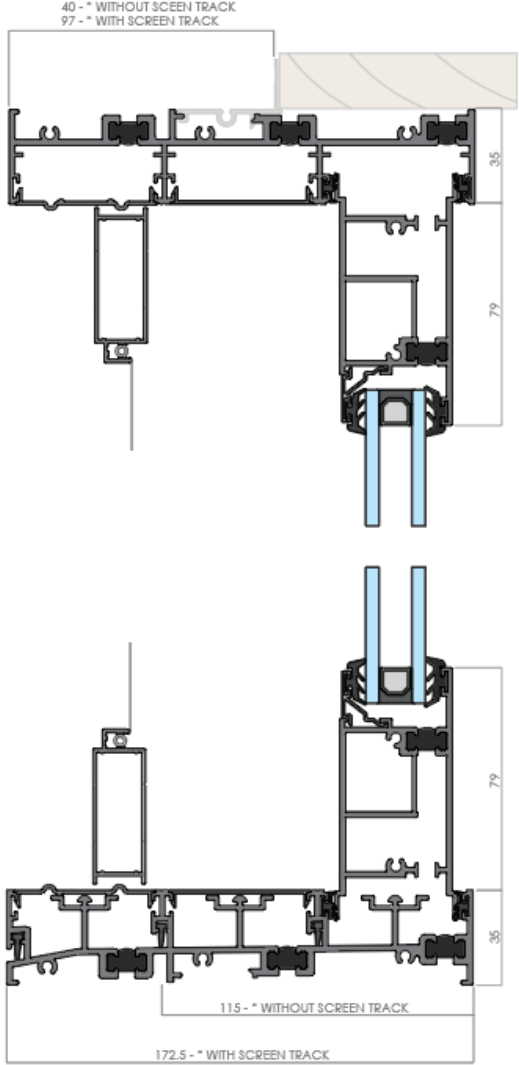
<b>Frame profile</b>	173mm x 35mm (with screens track)
<b>Size limitations (Panel Size)</b>	3000mm x 2000mm
<b>Glazing</b>	4mm – 24mm Single and double glazing
<b>BAL rating</b>	Deemed to satisfy BAL29
<b>Seal type</b>	Flexible rubber seals
<b>Colour options</b>	Black, White, Surfmist, Monument
<b>Screen options</b>	Flyscreen & Barrier
<b>Hardware options</b>	<ul style="list-style-type: none"><li>• Mortice Lock D Handle</li><li>• Double wheel rollers</li></ul>
<b>Warranty</b>	10-year warranty

## PERFORMANCE

<b>Wind and water performance</b>	
<b>Performance criteria</b>	<b>Rating</b>
<b>SLS</b>	1200Pa
<b>ULS</b>	2000Pa
<b>Water</b>	150Pa   450pa (Sub sill)
<b>N rating</b>	N4
<b>Thermal performance</b>	
<b>Performance criteria</b>	<b>Rating</b>
<b>U Value   SHGC</b>	2.2 – 5.5   0.36 – 0.64



# SLIDING DOOR



# STACKING DOOR

## SPECIFICATIONS

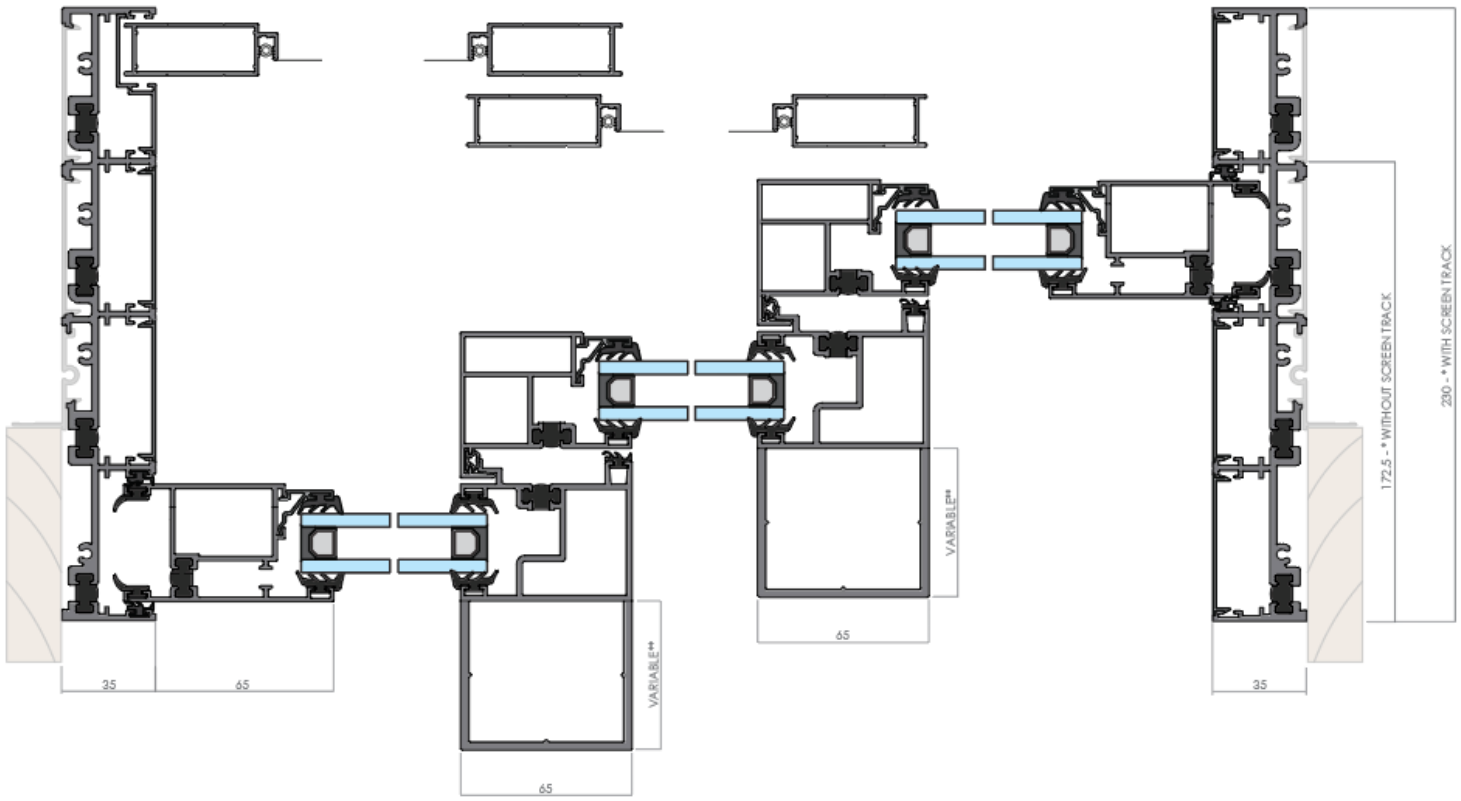
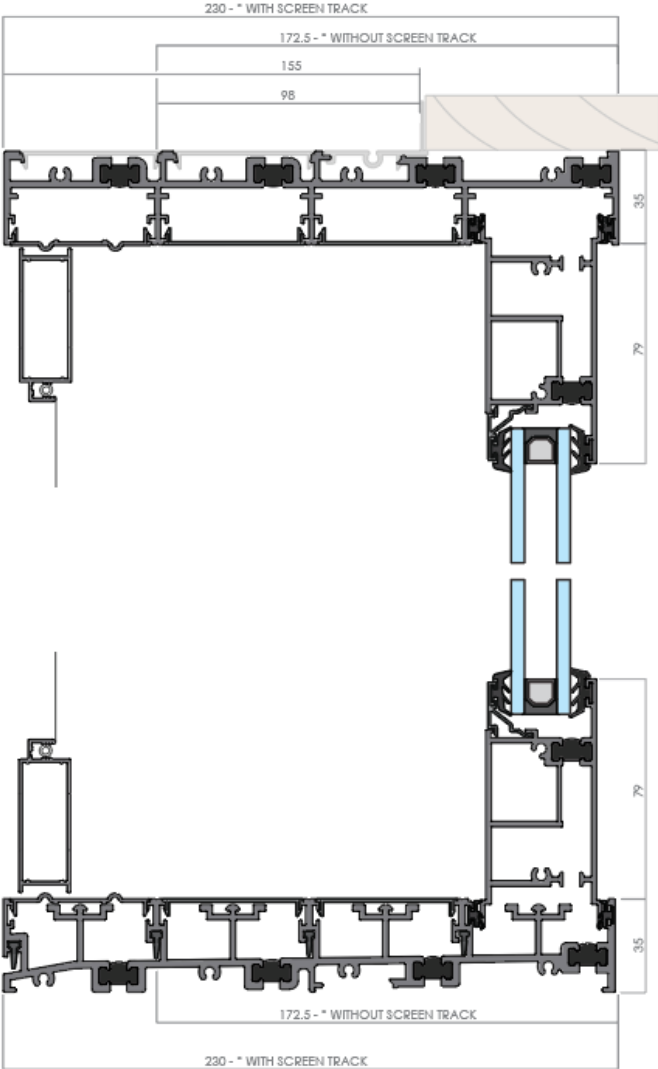
<b>Frame profile</b>	230mm x 35mm (with screen track)
<b>Size limitations (Panel Size)</b>	3000mm x 2000mm
<b>Glazing</b>	4mm – 24mm Single and double glazing
<b>BAL rating</b>	Deemed to satisfy BAL29
<b>Seal type</b>	Flexible rubber seals
<b>Colour options</b>	Black, White, Surfmist, Monument
<b>Screen options</b>	Flyscreen & Barrier
<b>Hardware options</b>	<ul style="list-style-type: none"><li>• Mortice Lock D Handle</li><li>• Double wheel rollers</li></ul>
<b>Warranty</b>	10-year warranty

## PERFORMANCE

<b>Wind and water performance</b>	
<b>Performance criteria</b>	<b>Rating</b>
<b>SLS</b>	1200Pa
<b>ULS</b>	2000Pa
<b>Water</b>	150Pa   450pa (Sub sill)
<b>N rating</b>	N4
<b>Thermal performance</b>	
<b>Performance criteria</b>	<b>Rating</b>
<b>U Value   SHGC</b>	2.2 – 5.5   0.36 – 0.64

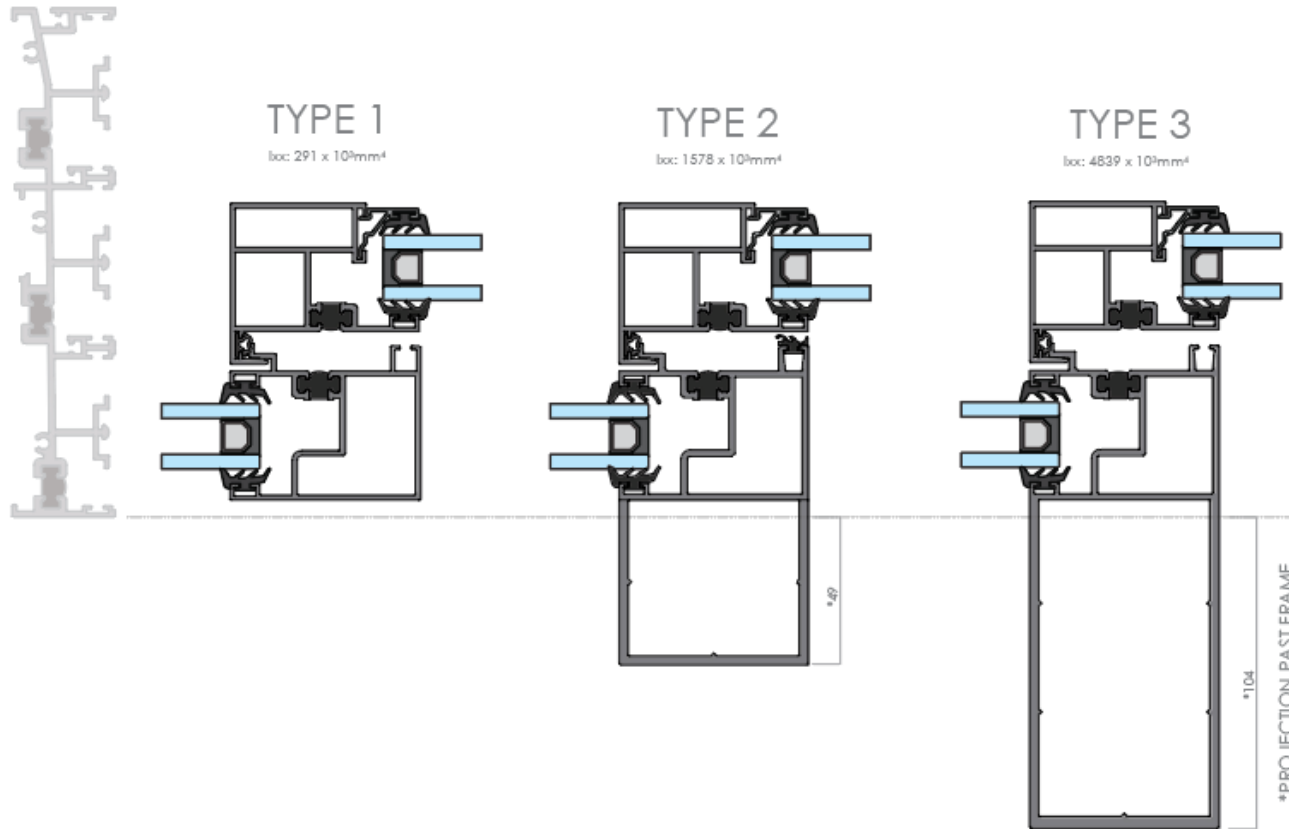


# STACKING DOOR



# SLIDING & STACKING DOOR

## INTERLOCK TYPES



PANEL HEIGHT	PANEL WIDTH																
	N2 400pa	500	600	700	800	900	1000	1100	1200	1300	1400	1500	1600	1700	1800	1900	2000
2100	1	1	1	1	1	1	1	1	1	1	1	1	1	1	1	1	1
2200	1	1	1	1	1	1	1	1	1	1	1	1	1	1	1	1	1
2300	1	1	1	1	1	1	1	1	1	1	1	2	2	2	2	2	2
2400	1	1	1	1	1	1	2	2	2	2	2	2	2	2	2	2	2
2500	1	1	1	1	1	1	2	2	2	2	2	2	2	2	2	2	2
2600	1	1	1	1	1	2	2	2	2	2	2	2	2	2	2	2	2
2700	1	1	1	2	2	2	2	2	2	2	2	2	2	2	2	2	2
2800	1	1	2	2	2	2	2	2	2	2	2	2	2	2	2	2	2
2900	2	2	2	2	2	2	2	2	2	2	2	2	2	2	2	2	2
3000	2	2	2	2	2	2	2	2	2	2	2	2	2	2	2	2	2

PANEL HEIGHT	PANEL WIDTH																
	N3 600pa	500	600	700	800	900	1000	1100	1200	1300	1400	1500	1600	1700	1800	1900	2000
2100	1	1	1	1	1	1	1	1	2	2	2	2	2	2	2	2	2
2200	1	1	1	1	1	1	2	2	2	2	2	2	2	2	2	2	2
2300	1	1	1	1	1	2	2	2	2	2	2	2	2	2	2	2	2
2400	1	1	1	2	2	2	2	2	2	2	2	2	2	2	2	2	2
2500	1	1	2	2	2	2	2	2	2	2	2	2	2	2	2	2	2
2600	1	2	2	2	2	2	2	2	2	2	2	2	2	2	2	2	2
2700	2	2	2	2	2	2	2	2	2	2	2	2	2	2	2	2	2
2800	2	2	2	2	2	2	2	2	2	2	2	2	2	2	2	2	2
2900	2	2	2	2	2	2	2	2	2	2	2	2	2	2	2	2	2
3000	2	2	2	2	2	2	2	2	2	2	2	2	2	2	2	2	2

PANEL HEIGHT	PANEL WIDTH																
	N4 800pa	500	600	700	800	900	1000	1100	1200	1300	1400	1500	1600	1700	1800	1900	2000
2100	1	1	1	1	2	2	2	2	2	2	2	2	2	2	2	2	2
2200	1	1	1	2	2	2	2	2	2	2	2	2	2	2	2	2	2
2300	1	1	2	2	2	2	2	2	2	2	2	2	2	2	2	2	2
2400	1	2	2	2	2	2	2	2	2	2	2	2	2	2	2	2	2
2500	2	2	2	2	2	2	2	2	2	2	2	2	2	2	2	2	2
2600	2	2	2	2	2	2	2	2	2	2	2	2	2	2	2	2	2
2700	2	2	2	2	2	2	2	2	2	2	2	2	2	2	2	2	2
2800	2	2	2	2	2	2	2	2	2	2	2	2	2	2	2	2	2
2900	2	2	2	2	2	2	2	2	2	2	2	2	2	2	2	2	2
3000	2	2	2	2	2	2	2	2	2	2	2	2	3	3	3	3	3



# HINGED DOOR

## SPECIFICATIONS

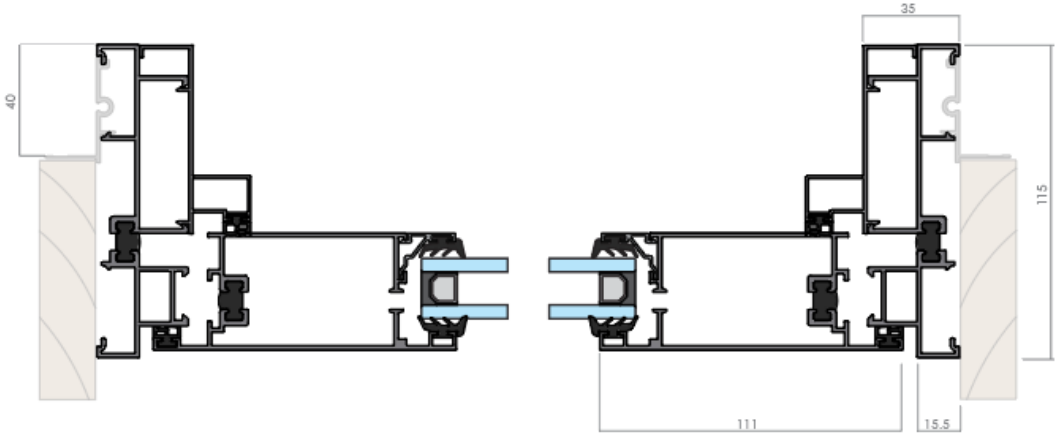
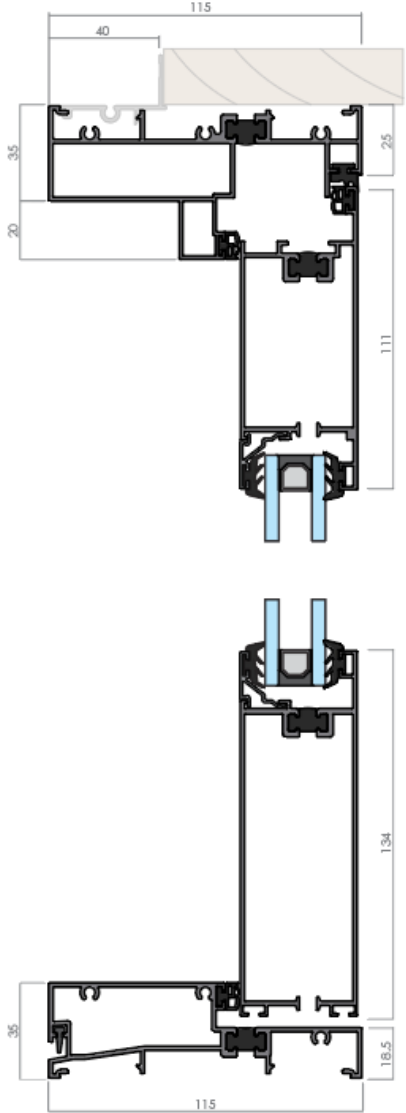
<b>Frame profile</b>	115mm x 35mm
<b>Size limitations (Panel Size)</b>	3000mm x 850mm OR 2400mm x 1000mm
<b>Glazing</b>	4mm – 24mm Single and double glazing
<b>BAL rating</b>	Deemed to satisfy BAL29
<b>Seal type</b>	Double Bulb Seal
<b>Colour options</b>	Black, White, Surfmist, Monument
<b>Screen options</b>	Flyscreen & Barrier
<b>Hardware options</b>	<ul style="list-style-type: none"><li>• Multi point lock</li><li>• Adjustable hinges</li></ul>
<b>Warranty</b>	10-year warranty

## PERFORMANCE

Wind and water performance	
Performance criteria	Rating
SLS	1500Pa
ULS	3000Pa
Water	300Pa   450pa (Sub Sill)
N rating	N5
Thermal performance	
Performance criteria	Rating
U Value   SHGC	2.3 – 5.0   0.29 – 0.51

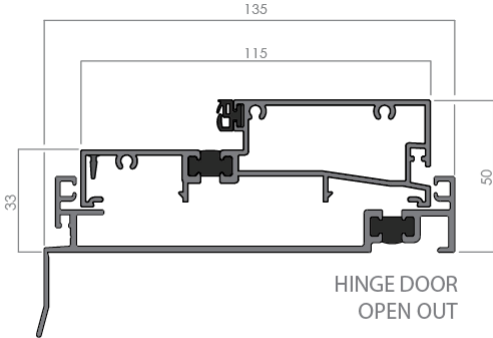
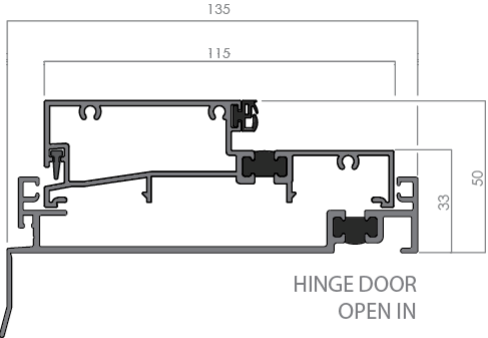
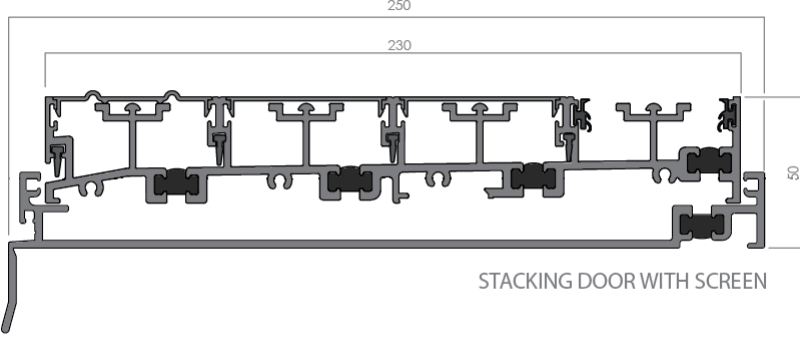
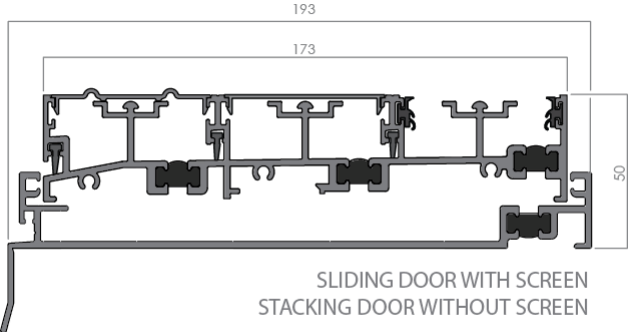
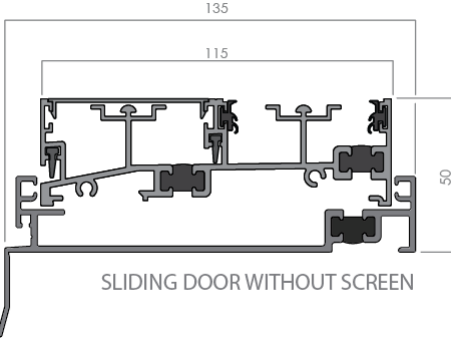


# HINGED DOOR



# DOOR SILLS

## SUB SILL TYPES



# WERS RATINGS

## Awning Window

Trend code	Glass	U-Value	SHGC
TND-121-01	5Clr	5.5	0.51
TND-121-02	6Clr	5.5	0.51
TND-121-03	6Gy	5.5	0.37
TND-121-04	6LEClr	4.3	0.44
TND-121-05	6LEGy	4.4	0.32
TND-121-06	6LENtrl	4.3	0.34
TND-121-07	6.38Clr	5.4	0.51
TND-121-08	6.38Wh	5.4	0.42
TND-122-01	5Clr-12Ar-5Clr	3.5	0.45
TND-122-02	5LEClr-12Ar-5Clr	3.0	0.34
TND-122-03	5Clr-12Ar-5LEClr	3.0	0.37
TND-122-04	5LEClr-12Ar-5Gy	3.0	0.33
TND-122-05	5Gy-12Ar-5LEClr	3.0	0.25
TND-122-06	6Clr-12Ar-6Clr	3.5	0.44
TND-122-07	6Gy-12Ar-6Clr	3.5	0.29
TND-122-08	6Clr-12Ar-6Gy	3.5	0.39
TND-122-09	6LEClr-12Ar-6Clr	3.0	0.36
TND-122-10	6Clr-12Ar-6LEClr	3.0	0.37
TND-122-11	6LEClr-12Ar-6Gy	3.0	0.34
TND-122-12	6Gy-12Ar-6LEClr	3.0	0.24
TND-122-13	6.38Wh-12Ar-5Clr	3.5	0.35
TND-122-14	5Clr-12Ar-6.38Wh	3.5	0.41

## Fixed Window

Trend code	Glass	U-Value	SHGC
TND-123-01	5Clr	5.7	0.69
TND-123-02	6Clr	5.7	0.69
TND-123-03	6Gy	5.7	0.50
TND-123-04	6LEClr	4.0	0.59
TND-123-05	6LEGy	4.1	0.40
TND-123-06	6LENtrl	4.0	0.45
TND-123-07	6.38Clr	5.7	0.69
TND-123-08	6.38Wh	5.7	0.57
TND-124-01	5Clr-12Ar-5Clr	3.0	0.60
TND-124-02	5LEClr-12Ar-5Clr	2.1	0.46
TND-124-03	5Clr-12Ar-5LEClr	2.1	0.50
TND-124-04	5LEClr-12Ar-5Gy	2.1	0.44
TND-124-05	5Gy-12Ar-5LEClr	2.1	0.33
TND-124-06	6Clr-12Ar-6Clr	3.0	0.59
TND-124-07	6Gy-12Ar-6Clr	3.0	0.39
TND-124-08	6Clr-12Ar-6Gy	3.0	0.52
TND-124-09	6LEClr-12Ar-6Clr	2.2	0.49
TND-124-10	6Clr-12Ar-6LEClr	2.2	0.50
TND-124-11	6LEClr-12Ar-6Gy	2.2	0.46
TND-124-12	6Gy-12Ar-6LEClr	2.2	0.31
TND-124-13	6.38Wh-12Ar-5Clr	3.0	0.47
TND-124-14	5Clr-12Ar-6.38Wh	3.0	0.56

## Sliding Window

Trend code	Glass	U-Value	SHGC
TND-125-01	5Clr	5.6	0.60
TND-125-02	6Clr	5.5	0.60
TND-125-03	6Gy	5.5	0.43
TND-125-04	6LEClr	4.1	0.51
TND-125-05	6LEGy	4.1	0.35
TND-125-06	6LENtrl	4.1	0.40
TND-125-07	6.38Clr	5.5	0.60
TND-125-08	6.38Wh	5.5	0.50
TND-126-01	5Clr-12Ar-5Clr	3.2	0.53
TND-126-02	5LEClr-12Ar-5Clr	2.5	0.40
TND-126-03	5Clr-12Ar-5LEClr	2.5	0.43
TND-126-04	5LEClr-12Ar-5Gy	2.5	0.38
TND-126-05	5Gy-12Ar-5LEClr	2.5	0.29
TND-126-06	6Clr-12Ar-6Clr	3.2	0.52
TND-126-07	6Gy-12Ar-6Clr	3.2	0.34
TND-126-08	6Clr-12Ar-6Gy	3.2	0.46
TND-126-09	6LEClr-12Ar-6Clr	2.5	0.42
TND-126-10	6Clr-12Ar-6LEClr	2.5	0.44
TND-126-11	6LEClr-12Ar-6Gy	2.5	0.40
TND-126-12	6Gy-12Ar-6LEClr	2.5	0.27
TND-126-13	6.38Wh-12Ar-5Clr	3.2	0.41
TND-126-14	5Clr-12Ar-6.38Wh	3.2	0.49

# WERS RATINGS

## Sliding/Stacking Door

Trend code	Glass	U-Value	SHGC
TND-127-01	5Clr	5.5	0.64
TND-127-02	6Clr	5.5	0.63
TND-127-03	6Gy	5.5	0.45
TND-127-04	6LEClr	4.0	0.54
TND-127-05	6LEGy	4.0	0.37
TND-127-06	6LENtrl	4.0	0.42
TND-127-07	6.38Clr	5.4	0.63
TND-127-08	6.38Wh	5.4	0.52
TND-128-01	5Clr-12Ar-5Clr	3.0	0.55
TND-128-02	5LEClr-12Ar-5Clr	2.2	0.42
TND-128-03	5Clr-12Ar-5LEClr	2.2	0.46
TND-128-04	5LEClr-12Ar-5Gy	2.2	0.40
TND-128-05	5Gy-12Ar-5LEClr	2.2	0.30
TND-128-06	6Clr-12Ar-6Clr	3.0	0.54
TND-128-07	6Gy-12Ar-6Clr	3.0	0.36
TND-128-08	6Clr-12Ar-6Gy	3.0	0.48
TND-128-09	6LEClr-12Ar-6Clr	2.3	0.45
TND-128-10	6Clr-12Ar-6LEClr	2.3	0.46
TND-128-11	6LEClr-12Ar-6Gy	2.3	0.42
TND-128-12	6Gy-12Ar-6LEClr	2.3	0.28
TND-128-13	6.38Wh-12Ar-5Clr	3.0	0.43
TND-128-14	5Clr-12Ar-6.38Wh	3.0	0.51

## Hinge Door

Trend code	Glass	U-Value	SHGC
TND-129-01	5Clr	5.0	0.51
TND-129-02	6Clr	4.9	0.51
TND-129-03	6Gy	4.9	0.37
TND-129-04	6LEClr	3.7	0.43
TND-129-05	6LEGy	3.7	0.30
TND-129-06	6LENtrl	3.7	0.34
TND-129-07	6.38Clr	4.9	0.51
TND-129-08	6.38Wh	4.9	0.42
TND-130-01	5Clr-12Ar-5Clr	3.0	0.45
TND-130-02	5LEClr-12Ar-5Clr	2.4	0.34
TND-130-03	5Clr-12Ar-5LEClr	2.4	0.37
TND-130-04	5LEClr-12Ar-5Gy	2.4	0.33
TND-130-05	5Gy-12Ar-5LEClr	2.4	0.25
TND-130-06	6Clr-12Ar-6Clr	3.0	0.44
TND-130-07	6Gy-12Ar-6Clr	3.0	0.29
TND-130-08	6Clr-12Ar-6Gy	3.0	0.39
TND-130-09	6LEClr-12Ar-6Clr	2.4	0.36
TND-130-10	6Clr-12Ar-6LEClr	2.4	0.37
TND-130-11	6LEClr-12Ar-6Gy	2.4	0.34
TND-130-12	6Gy-12Ar-6LEClr	2.4	0.23
TND-130-13	6.38Wh-12Ar-5Clr	3.0	0.35
TND-130-14	5Clr-12Ar-6.38Wh	3.0	0.41

# WERS RATINGS

## Aneeta STD

Trend code	Glass	U-Value	SHGC
TND-131-01	5Clr	TBC	TBC
TND-131-02	6Clr	TBC	TBC
TND-131-03	6Gy	TBC	TBC
TND-131-04	6LEClr	TBC	TBC
TND-131-05	6LEGy	TBC	TBC
TND-131-06	6LENtrl	TBC	TBC
TND-131-07	6.38Clr	TBC	TBC
TND-131-08	6.38Wh	TBC	TBC
TND-132-01	4Clr-8Ar-4Clr	3.9	0.60
TND-132-02	4Gy-8Ar-4Clr	3.9	0.45
TND-132-03	4Clr-8Ar-4Gy	3.9	0.55
TND-132-04	4LEClr-8Ar-4Clr	3.0	0.45
TND-132-05	4Clr-8Ar-4LEClr	3.0	0.46
TND-132-06	4LEClr-8Ar-4Gy	3.0	0.43
TND-132-07	4Gy-8Ar-4LEClr	3.0	0.44
TND-132-08	6.38Wh-6Ar-4Clr	4.0	0.46
TND-132-09	4Clr-6Ar-6.38Wh	4.0	0.54

## Aneeta ThermaGlide

Trend code	Glass	U-Value	SHGC
TND-133-01	4Clr-14Ar-4Clr	3.1	0.59
TND-133-02	4Gy-14Ar-4Clr	3.1	0.44
TND-133-03	4Clr-14Ar-4Gy	3.1	0.54
TND-133-04	4LEClr-14Ar-4Clr	2.2	0.44
TND-133-05	4Clr-14Ar-4LEClr	2.2	0.46
TND-133-06	4LEClr-14Ar-4Gy	2.2	0.43
TND-133-07	4Gy-14Ar-4LEClr	2.2	0.44
TND-133-08	6.38Wh-12Ar-4Clr	3.1	0.45
TND-133-09	4Clr-12Ar-6.38Wh	3.1	0.54

**THANK YOU**



A JELD-WEN Company