

Xtreme[®] Aluminium

Sliding Door

TECHNICAL DATA

Features & Benefits

Size Range

Ordering Details

Installation

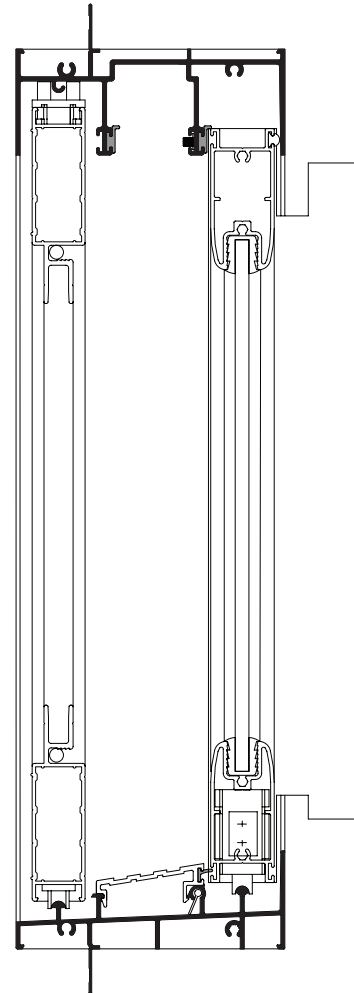
Cross Sectional Views

Features & Benefits

Xtreme® Sliding Door

- 1 **Bushfire Features**
Xtreme® Bushfire Windows & Doors have been tested to withstand temperatures up to 40kW/m² without failure from either the glazing or from the window system itself, to help prevent internal ignition of houses and loss of precious possessions.
 - 2 **Xtreme® Bushfire Windows & Doors System Features** include patented Van Door® and Pyro-Protect™ Sealing Systems acting to protect the home against wind, water, noise dust and bushfire penetration. Trend® has combined the technologically advanced Quantum XP Windows® system with Pyro-Protect™ seals glazing systems and 6mm standard toughened glass to produce Xtreme® Windows and Doors.
 - 3 **Energy Efficiency Options**
Trend® Thermashield® in various glazing styles are available to help reduce energy consumption. Trend® Thermashield® means greater control, bigger savings and most importantly one less thing to worry about. Energy efficient options to u-value and SHGC are available for Xtreme® Sliding Door.
 - 4 **Acoustic options**
SoundMizer® acoustic solutions in various STC rating are available to STC 28 for Xtreme® Sliding Door. SoundMizer® acoustic solutions can reduce aircraft, highway traffic, railway and other annoying noise problems. For information or technical details contact Trend®.
 - 5 **Locks**
Sliding doors are fitted with a double cylinder deadlock as standard.
 - 6 **Safety Glazing**
6mm toughened Safety A Grade Glass with a visual motif at the mid point to provide added safety. Double Glazing is available for energy efficiency requirements.
 - 7 **Heavy Duty Rollers**
Xtreme® Sliding Door uses a heavy duty, dual wheel roller system for smooth operation. Glass door panels roll on heavy duty adjustable acetal wheels, that are perfectly matched to the sill rail to ensure efficient running.
 - 8 **Frames**
Xtreme® Bushfire Sliding Door frame is 101.6mm wide with the sash 55mm wide. The sash has aesthetically pleasing lines and a smooth rounded profile that has a truly solid look. Reminiscent of timber, Xtreme® is extremely popular in both traditional and contemporary house designs.

Maximum Door Height is 2400mm.
Maximum Door Width is 4760mm (up to 4 panel door)
 - 9 **Optional Heavy Duty Barrier and Insect Screen Door**
The sturdy extruded aluminium, external sliding barrier door is fitted with dual lock that ensure the safety and security while opening.
 - 10 **Build-In Accessories**
 - 180° non-load-bearing couplers.
 - 135° non-load-bearing corner couplers.
 - 100mm aluminium architraves for replacement door installations.
 - Adjustable aluminium storm mould.
 - Extruded aluminium 180° mullion covers to hide load-bearing posts.
 - 11 **Security**
Xtreme® Sliding Door has a double parrot beak with a 2 point locking system. Striker plate is mounted with full fixing inside jamb for added security.
 - 12 **Protective Wrapping**
Protective wrapping for delivery to site is a standard for all Xtreme® products.
 - 13 **Options**
Wide range of powdercoat finishes including timber finishes available.
 - Maximum Glass area 2.4m²
- *Xtreme® Windows & Doors have been tested to AS1530.8.1, and comply to Section 8 Construction Service Bushfire Attack Level 40 (BAL-40), Radiant Heat Level 40kW/m², AS3959 (2009). For full details of Standards requirements for individual products please refer to Trend Windows & Doors Technical Department.



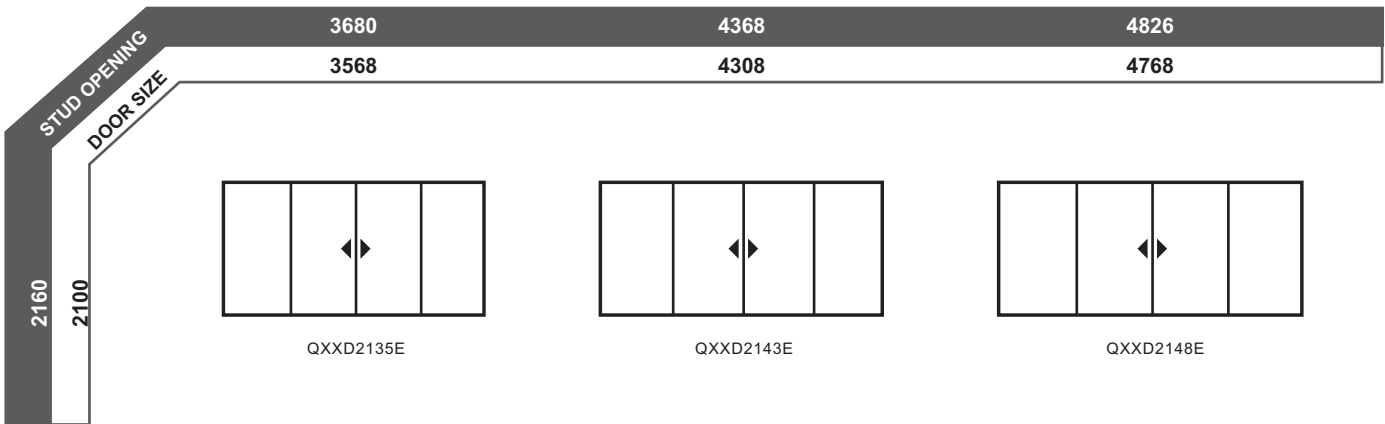
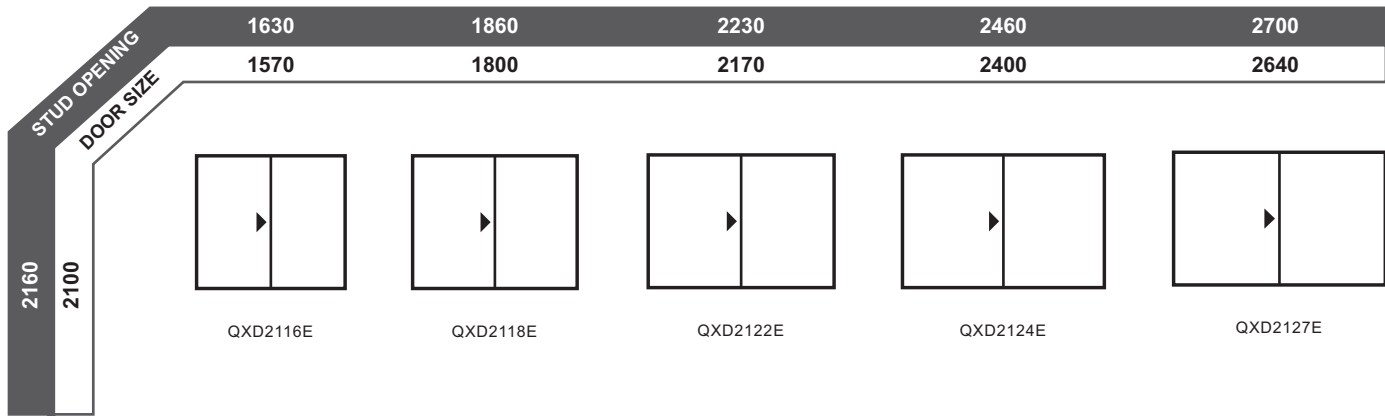
Please note that drawings are not to scale

Xtreme® Sliding Door | QXD-E | Mk 11 | 13 August 2013

Confidentiality Notice: This document and the information it contains are copyright and confidential to Trend® Windows & Doors Pty Limited. Disclosure, use and copying in any form whatsoever, except as authorised by Trend® Windows & Doors in writing, are strictly prohibited. Patents and Design Registrations pending.

Size Range

Xtreme® Sliding Door



All windows and doors are designed to 700pa velocity and 150pa water rating. For higher ratings consult Xtreme® Windows & Doors

Maximum frame height is 2400mm

Maximum single glass area is 2.4m²

Screens to be fitted to operating sash area only



Please note that drawings are not to scale

Xtreme® Sliding Door | QXD-E | Mk 11 | 13 August 2013

Confidentiality Notice: This document and the information it contains are copyright and confidential to Trend® Windows & Doors Pty Limited. Disclosure, use and copying in any form whatsoever, except as authorised by Trend® Windows & Doors in writing, are strictly prohibited. Patents and Design Registrations pending.

Ordering Details

Xtreme® Sliding Door

All doors are illustrated as viewed from outside. Codes shown are for plain doors.

The first two numbers of code indicate approximate height, the last two numbers indicate approximate width.

Sash Style Options:

E indicates Xtreme sash style.

Eg door code QPXF2118E

Configuration Options:

XF indicates Sliding/Fixed

FX indicates Fixed/Sliding

FXF indicates Sliding/Fixed/Sliding

FXXF indicates Fixed/Sliding/Sliding/

Fixed

General:

Two and Three panels doors available as reverse to brochure

Four panel doors have a prefix of QPFXXF



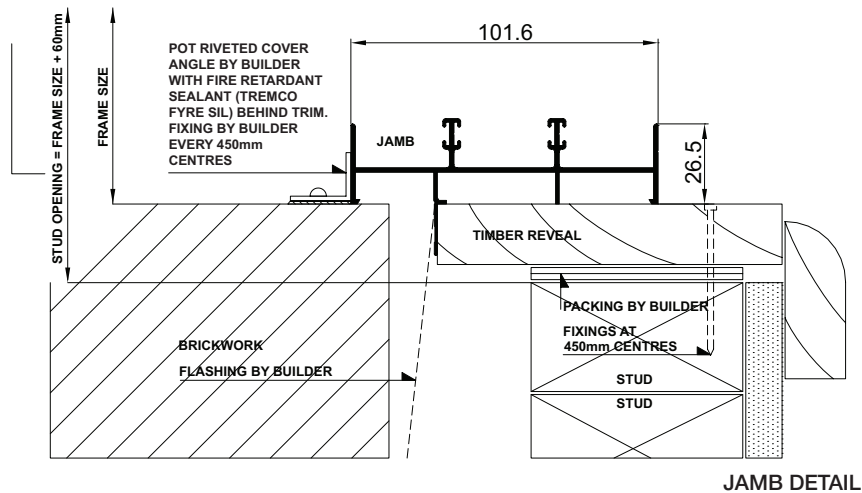
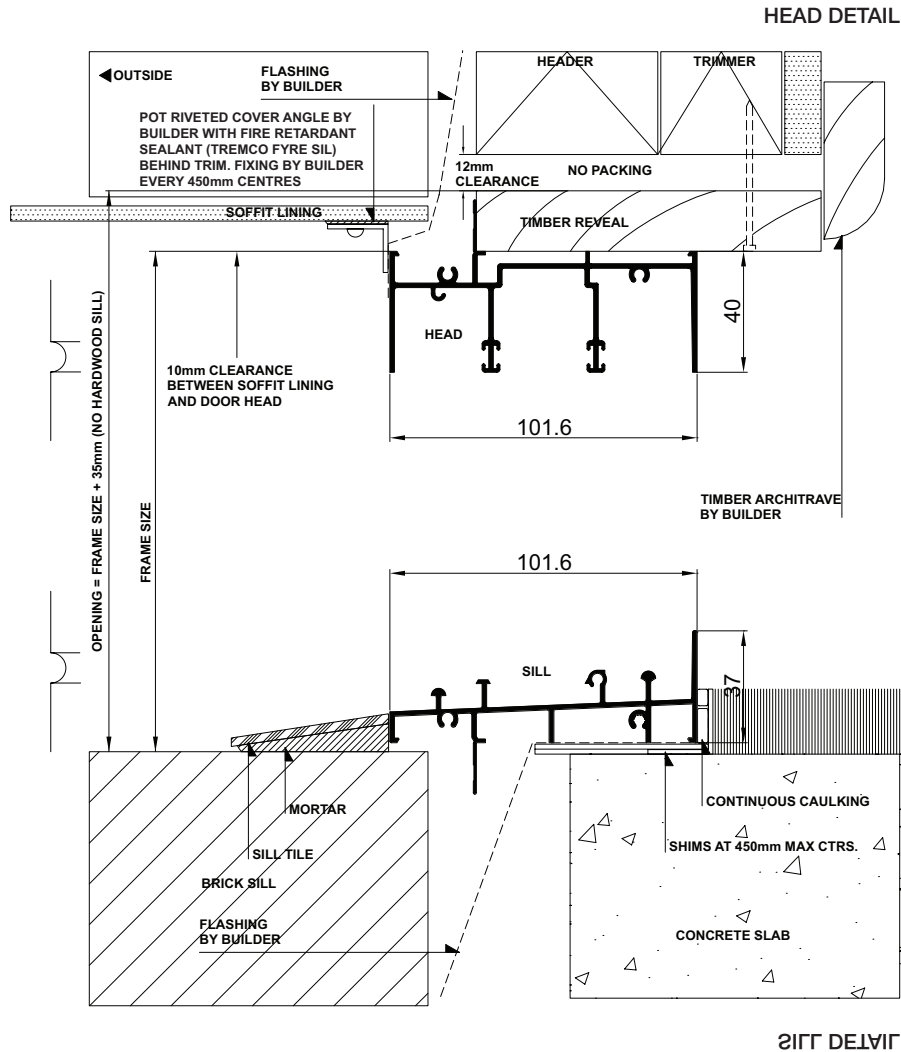
Please note that drawings are not to scale

Xtreme® Sliding Door | QXD-E | Mk 11 | 13 August 2013

Confidentiality Notice: This document and the information it contains are copyright and confidential to Trend® Windows & Doors Pty Limited. Disclosure, use and copying in any form whatsoever, except as authorised by Trend® Windows & Doors in writing, are strictly prohibited. Patents and Design Registrations pending.

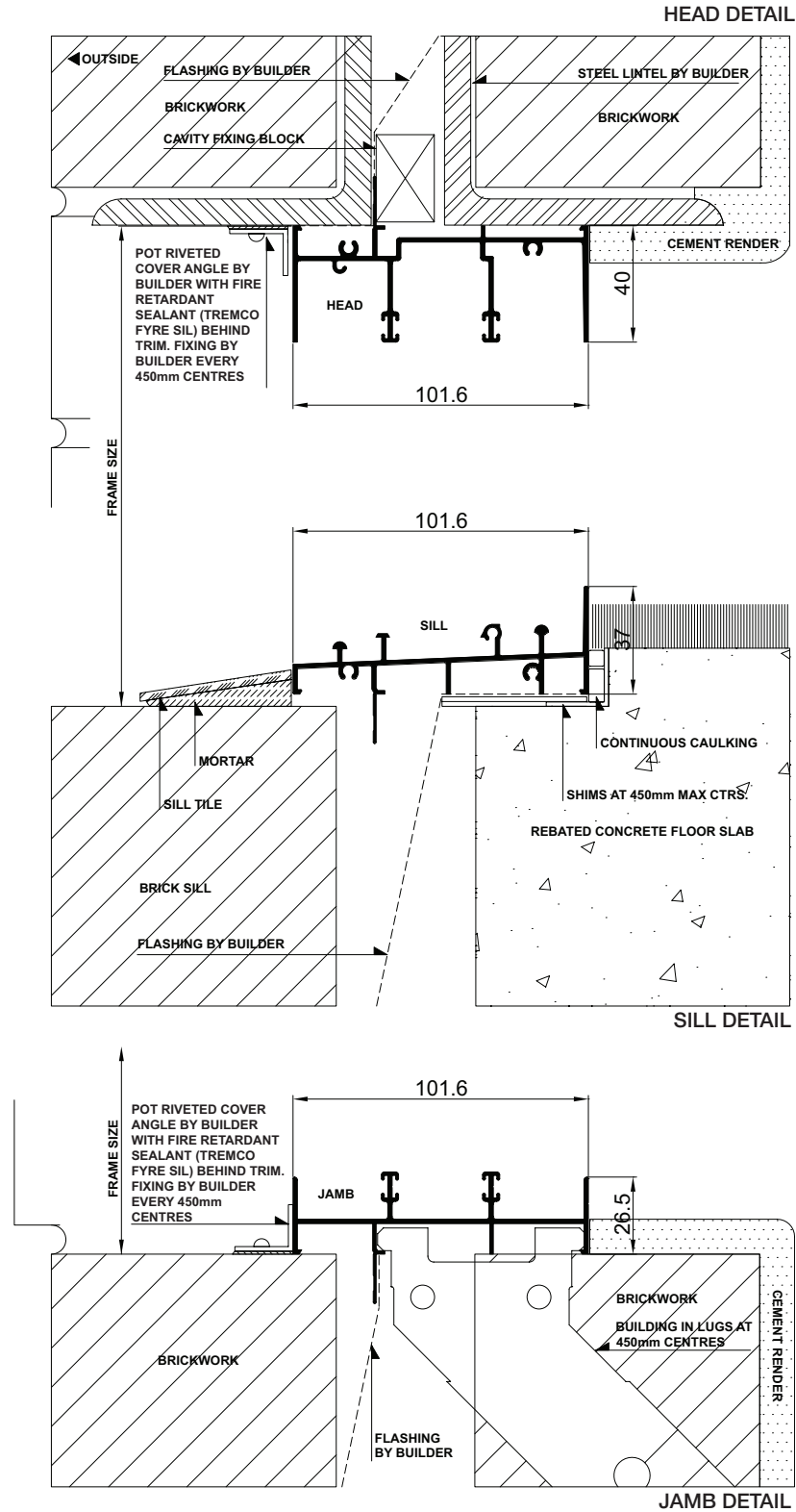
Installation

Xtreme® Sliding Door | Building In Detail | **Brick Veneer - 230mm wall**



Installation

Xtreme® Sliding Door | Building In Detail | **Double Brick - 280mm wall**



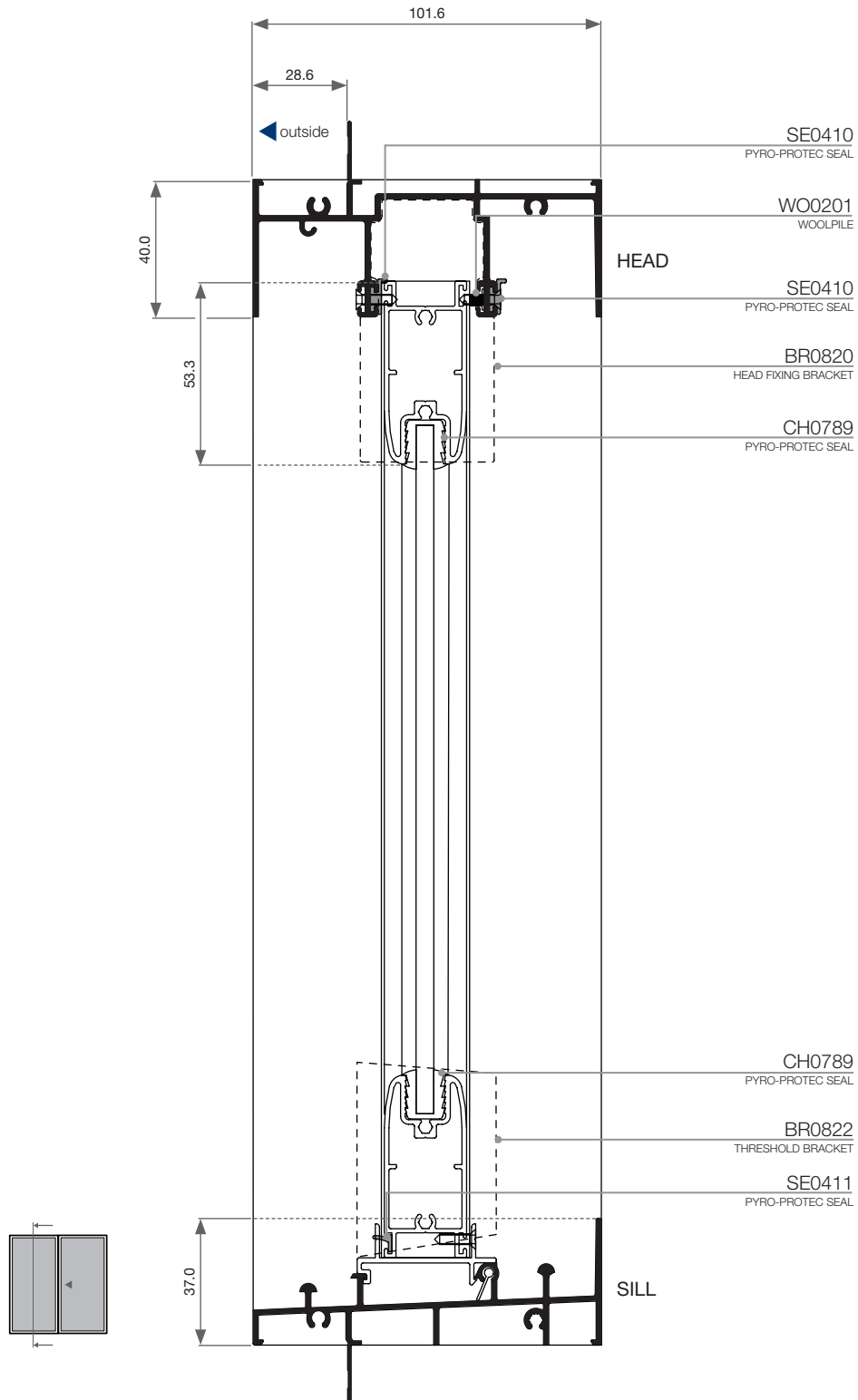
Please note that drawings are not to scale

Xtreme® Sliding Door | QXD-E | Mk 11 | 13 August 2013

Confidentiality Notice: This document and the information it contains are copyright and confidential to Trend® Windows & Doors Pty Limited. Disclosure, use and copying in any form whatsoever, except as authorised by Trend® Windows & Doors in writing, are strictly prohibited. Patents and Design Registrations pending.

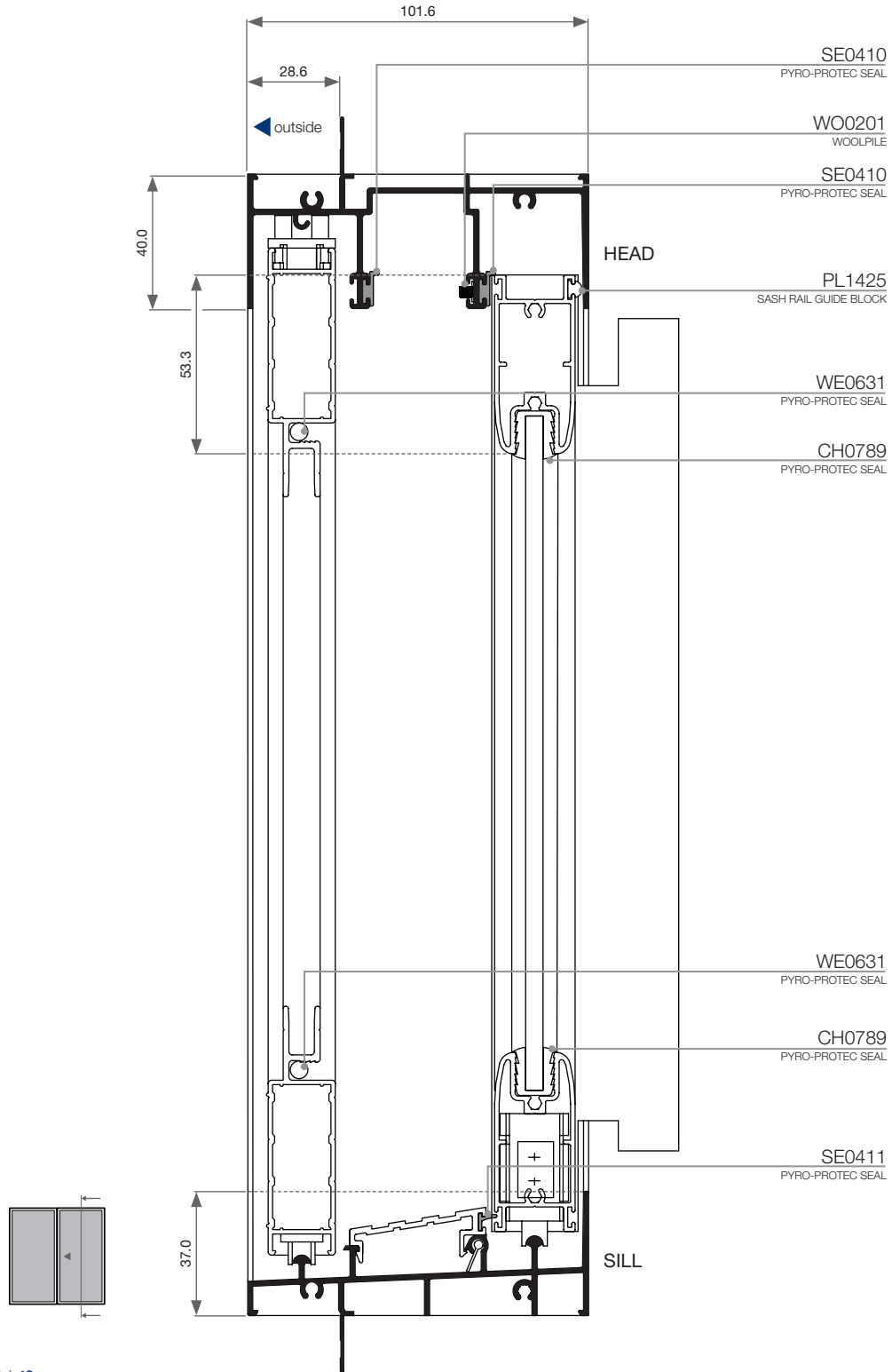
Cross Sectional Views

Xtreme[®] Sliding Door | **Standard 2 Lite** | Elevation



Cross Sectional Views

Xtreme® Sliding Door | **Standard 2 Lite** | Elevation



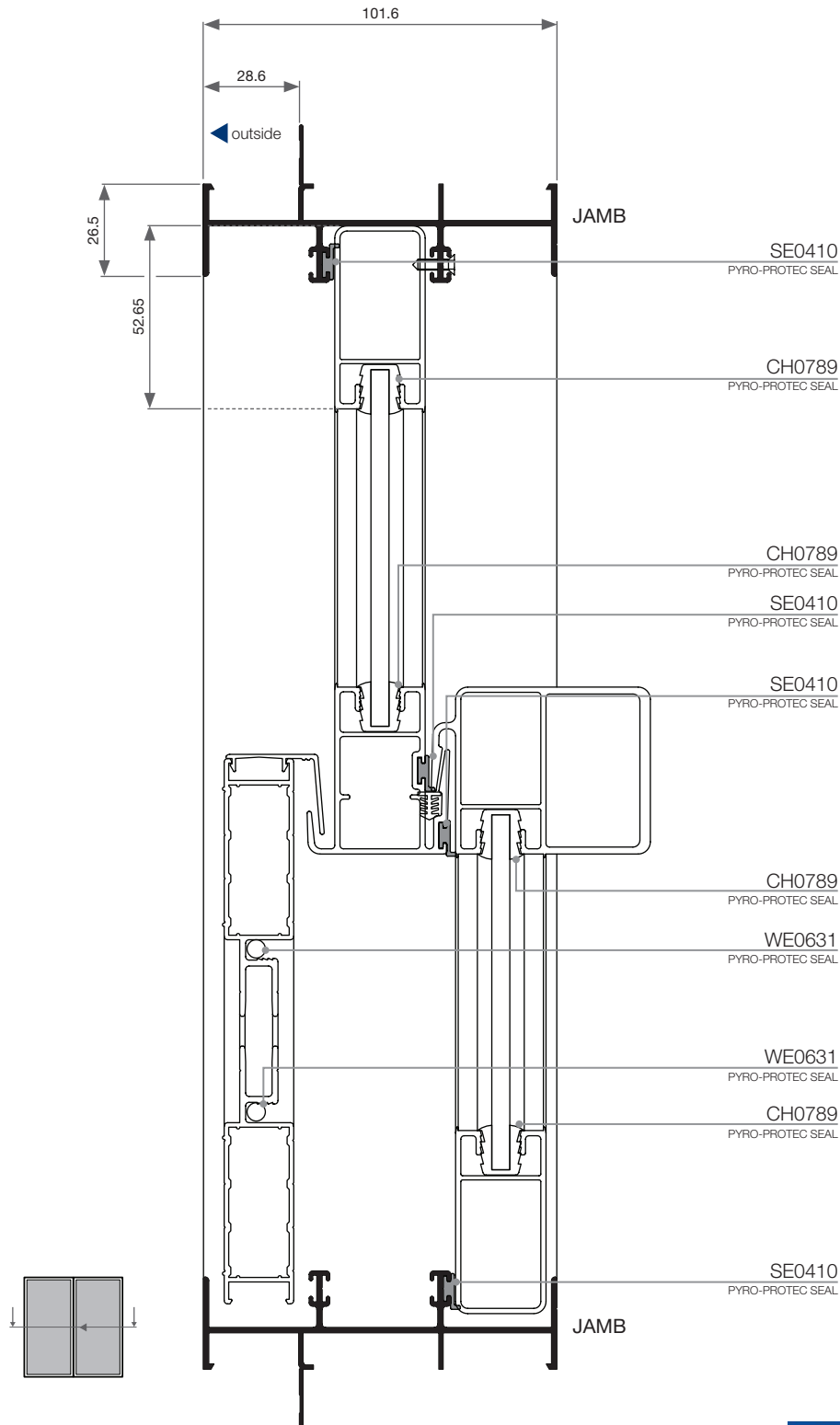
Please note that drawings are not to scale

Xtreme® Sliding Door | QXD-E | Mk 11 | 13 August 2013

Confidentiality Notice: This document and the information it contains are copyright and confidential to Trend® Windows & Doors Pty Limited. Disclosure, use and copying in any form whatsoever, except as authorised by Trend® Windows & Doors in writing, are strictly prohibited. Patents and Design Registrations pending.

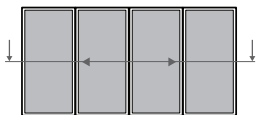
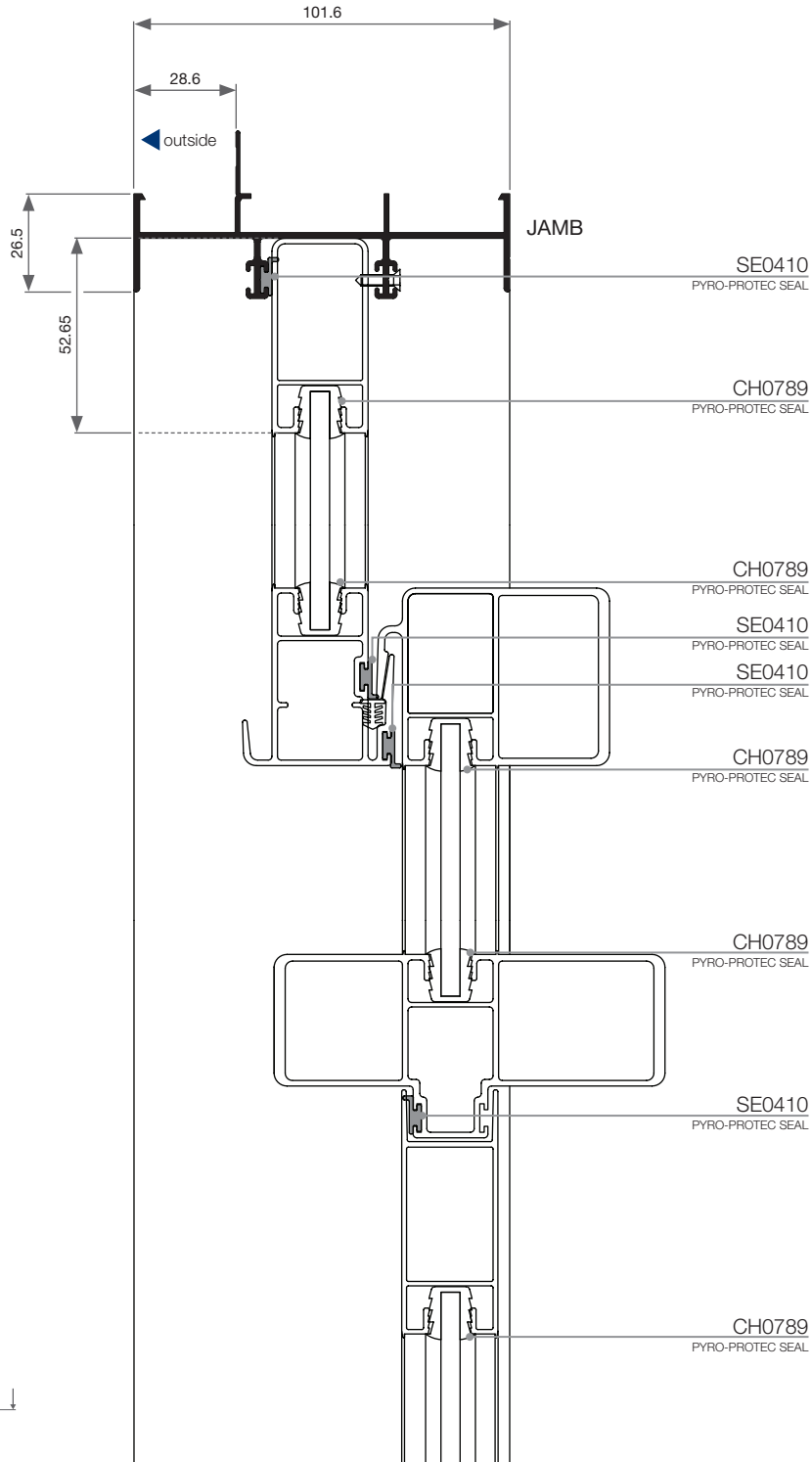
Cross Sectional Views

Xtreme[®] Sliding Door | **Standard 2 Lite** | Plan



Cross Sectional Views

Xtreme® Sliding Door | **Standard 4 Lite** | Plan



Please note that drawings are not to scale

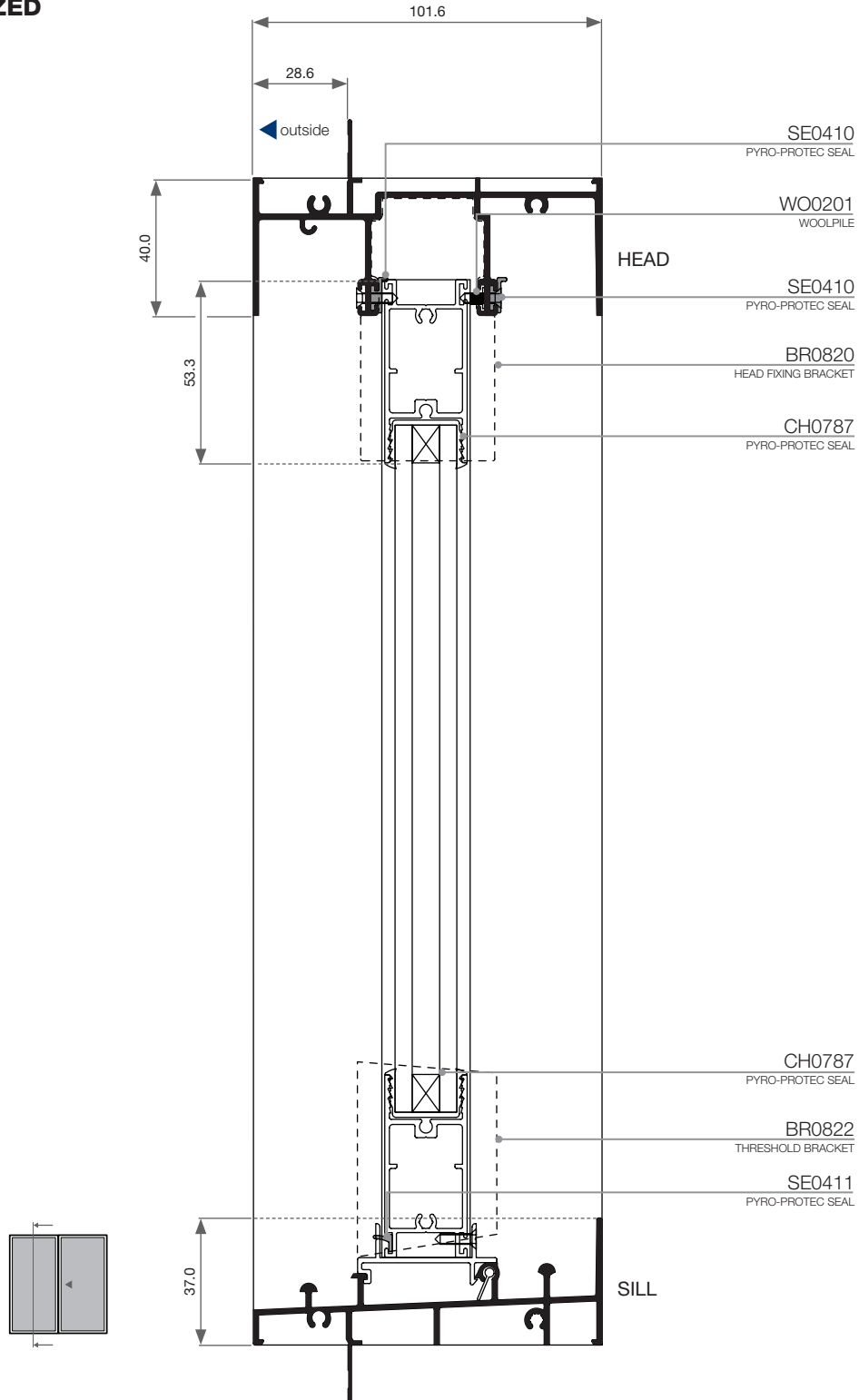
Xtreme® Sliding Door | QXD-E | Mk 11 | 13 August 2013

Confidentiality Notice: This document and the information it contains are copyright and confidential to Trend® Windows & Doors Pty Limited. Disclosure, use and copying in any form whatsoever, except as authorised by Trend® Windows & Doors in writing, are strictly prohibited. Patents and Design Registrations pending.

Cross Sectional Views

Xtreme[®] Sliding Door | **Thermashield 2 Lite** | Elevation

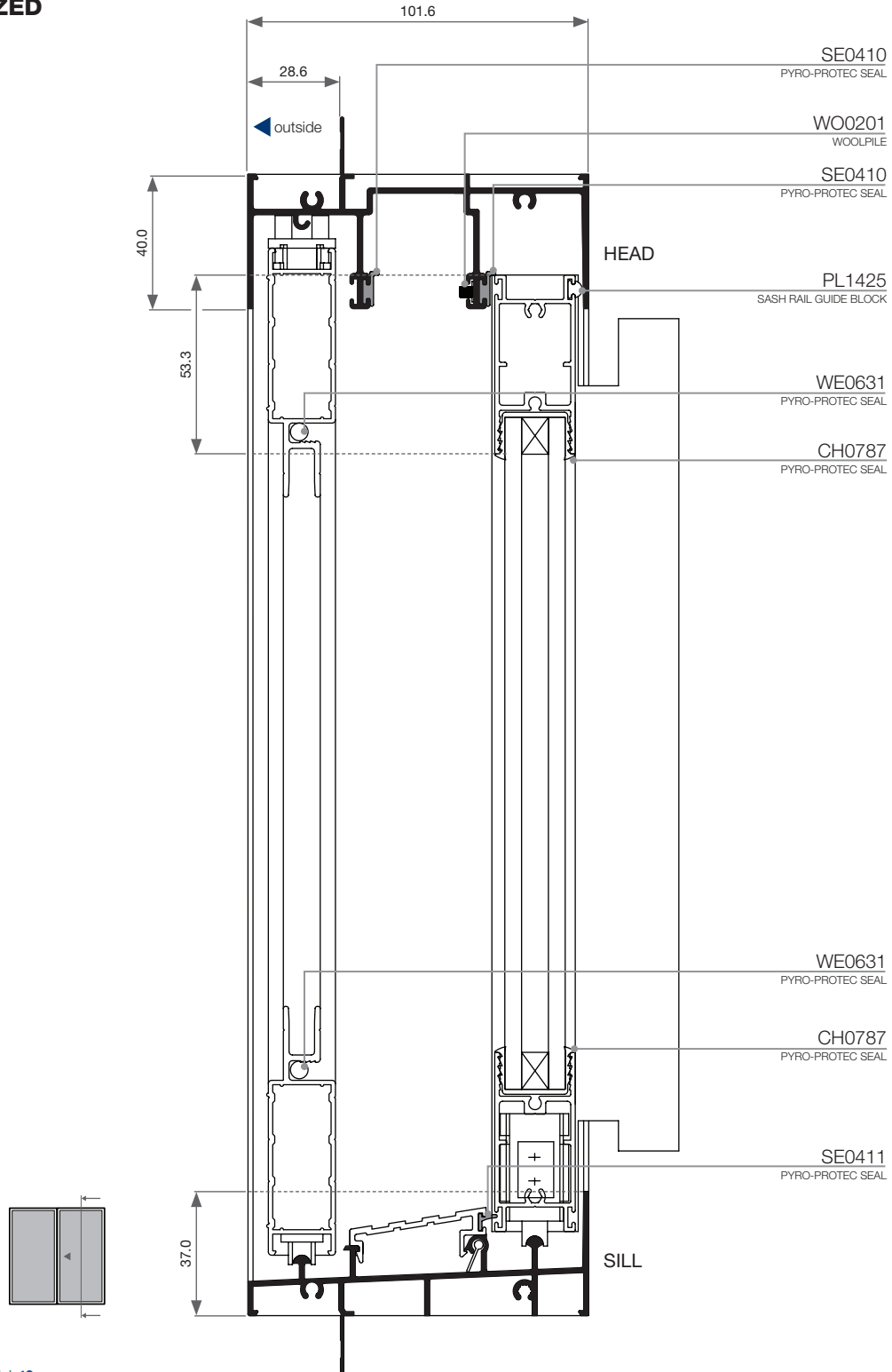
DOUBLE GLAZED



Cross Sectional Views

Xtreme® Sliding Door | Thermashield 2 Lite | Elevation

DOUBLE GLAZED



Please note that drawings are not to scale

Xtreme® Sliding Door | QXD-E | Mk 11 | 13 August 2013

Confidentiality Notice: This document and the information it contains are copyright and confidential to Trend® Windows & Doors Pty Limited. Disclosure, use and copying in any form whatsoever, except as authorised by Trend® Windows & Doors in writing, are strictly prohibited. Patents and Design Registrations pending.

Cross Sectional Views

Xtreme[®] Sliding Door | Thermashield 2 Lite | Plan

DOUBLE GLAZED

