

Xtreme Synergy Aluminium<sup>®</sup>

# Synergy Awning Window/ Sentinel Awning

## TECHNICAL DATA

Features & Benefits

Size Range

Ordering Details

Installation

Cross Sectional Views

# Features & Benefits

Xtreme® Aluminium 48mm Awning Window

**1 Energy Efficiency Options**  
Trend® Thermashield® in various glazing styles are available to help reduce energy consumption. Trend® Thermashield® means greater control, bigger savings and most importantly one less thing to worry about. Energy efficient options to u-value and SHGC are available for Trend.

**2 Acoustic options**  
SoundMizer® acoustic solutions in various STC ratings, are available to STC 39 for Trend® Awning Windows. SoundMizer® acoustic solutions can reduce aircraft, highway traffic, railway and other annoying noise problems. For information or technical details contact Trend®.

**3 Optional Key Lock Chain Winder**  
Trend® Awning Window winder mechanism is designed specifically for high performance, security and reliability. Supplied with a stainless steel chain as standard for long life and reliability, the winder can be used in even the harshest environment without the worry of corrosion. The robust mechanisms are mounted securely to the window with a concealed 2 point fixing. Keyed lock is standard for added security.

100mm restrictor openers are available for safety options.

**4 Continuous Hinge Hood**  
The sash is protected from the weather by a continuous hinge hood that supports the sash and keeps the rain where it belongs - on the outside

**5 Weather Protection**  
The tubular splayed sash, with self-draining trough, assist the coninuous surround bublb seal to protect against even the most adverse weather conditions

**6 Sash Corner Protection**  
The bottom rail sash corners are protected by a custom nylon cover that acts as a sash guide into the frame

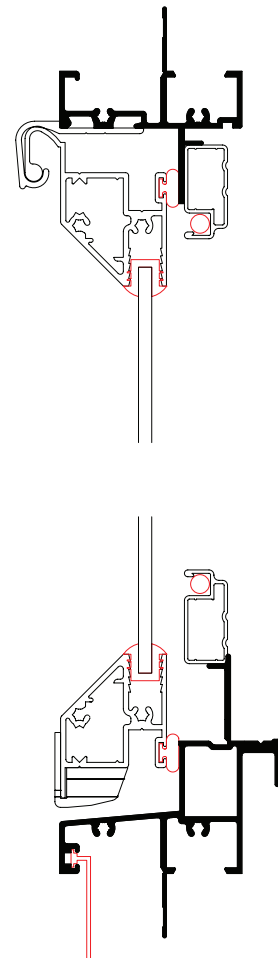
**7 Glazing**  
Trend® sash is available in special 6mm toughened glass options with energy efficiency applications. Acoustic solutions are also available to high STC rating

(This may vary however. For more information on variations to this please contact you Trend Sales Representative)

**8 Bushfire Standards**  
Complies with AS3959 and AS1530.8.1.

**NOTE:**  
Window Placement - Care should be taken with locating opening awning windows in pedestrian traffic areas.

\*Xtreme® Windows & Doors have been tested to AS1530.8.1, and comply to Section 8 Construction Service Bushfire Attack Level 40 (BAL-40), Radiant Heat Level 40kW/m2, AS3959 (2009). For full details of Standards requirements for individual products please refer to Trend Windows & Doors Technical Department.



# Size Range

Xtreme® Aluminium 48mm Awning Window

STUD OPENING WINDOW		656	780	899	1018	1258	1506	1847	2232	2589
		600	724	843	962	1202	1450	1791	2176	2533
646	590	AA0606E	AA0607E	AA0609E	AA0610E	AA0612E	AA0614E	AA0618E	AA0622E	AA0625E
732	676	AA0706E	AA0707E	AA0709E	AA0710E	AA0712E	AA0714E	AA0718E	AA0722E	AA0725E
989	933	AA0906E	AA0907E	AA0909E	AA0910E	AA0912E	AA0914E	AA0918E	AA0922E	AA0925E
1076	1020	AA1006E	AA1007E	AA1009E	AA1010E	AA1012E	AA1014E	AA1018E	AA1022E	AA1025E
1247	1191	AA1206E	AA1207E	AA1209E	AA1210E	AA1212E	AA1214E	AA1218E	AA1222E	AA1225E
1418	1362	AA1406E	AA1407E	AA1409E	AA1410E	AA1412E	AA1414E	AA1418E	AA1422E	AA1425E
1856	1800	AA1806TE	AA1807TE	AA1809TE	AA1810TE	AA1812TE	AA1814TE	AA1818TE	AA1822TE	AA1825TE
2098	2042	AA2006TE	AA2007TE	AA2009TE	AA2010TE	AA2012TE	AA2014TE	AA2018TE	AA2022TE	AA2025TE
2098	2042	AA2006E	AA2007E	AA2009E						

All windows and doors are designed to 700pa velocity and 150pa water rating. For higher ratings consult Xtreme® Windows & Doors

Maximum frame height is 3000mm

Maximum single glass area is 2.4m<sup>2</sup>

Screens to be fitted to operating sash area only



Please note that drawings are not to scale

Xtreme® 48mm Awning Window | AAE | Mk 3 | 1 July 2013

Confidentiality Notice: This document and the information it contains are copyright and confidential to Trend® Windows & Doors Pty Limited. Disclosure, use and copying in any form whatsoever, except as authorised by Trend® Windows & Doors in writing, are strictly prohibited. Patents and Design Registrations pending.

## Ordering Details

Xtreme<sup>®</sup> Aluminium 48mm Awning Window

All windows are illustrated as viewed from outside. Codes shown are for plain windows.

Manufactured from 48mm aluminium extrusion. The first two numbers of code indicate approximate height, the last two numbers indicate approximate width.

### **Sash Style Options:**

Standard option, eg window code AA0606

T indicates Thermashield<sup>®</sup> double glazed sash style, eg window code ATA0606E (E indicates Xtreme)  
N indicates Sentinel sash style.  
Eg window code ANA0606

### **Configuration Options:**

A indicates Awning  
F indicates Fixed  
AA indicates Awning\Awning  
AF indicates Awning\Fixed  
FA indicates Fixed\Awning  
FF indicates Fixed\Fixed  
AAA indicates Awning\Awning\Awning  
AFA indicates Awning\Fixed\Awning  
FAF indicates Fixed\Awning\Fixed  
FFF indicates Fixed\Fixed\Fixed  
T after the size indicates a Transom  
E indicates Xtreme sash style

### **General:**

Black hardware is supplied as standard

# Features & Benefits - QLD

Xtreme® Aluminium 48mm Awning Window

**1 Energy Efficiency Options**  
Trend® Thermashield® in various glazing styles are available to help reduce energy consumption. Trend® Thermashield® means greater control, bigger savings and most importantly one less thing to worry about. Energy efficient options to u-value of 3.5 and SHGC 0.39 are available for Trend.

**2 Acoustic options**  
SoundMizer® acoustic solutions in various STC ratings, are available to STC 39 for Trend® Awning Windows. SoundMizer® acoustic solutions can reduce aircraft, highway traffic, railway and other annoying noise problems. For information or technical details contact Trend®.

**3 Optional Key Lock Chain Winder**  
Trend® Awning Window winder mechanism is designed specifically for high performance, security and reliability. With a Polesium™ cover and base combined with a stainless steel chain as standard for long life and reliability, the winder can be used in even the harshest environment without the worry of corrosion. The robust mechanisms are mounted securely to the window with a concealed 2 point fixing. Keyed lock is standard for added security

**4 Continuous Hinge Hood**  
The sash is protected from the weather by a continuous hinge hood that supports the sash and keeps the rain where it belongs - on the outside

**5 Weather Protection**  
The tubular splayed sash, with self-draining trough, assist the continuous surround bubble seal to protect against even the most adverse weather conditions

**6 Sash Corner Protection**  
The bottom rail sash corners are protected by a custom nylon cover that acts as a sash guide into the frame

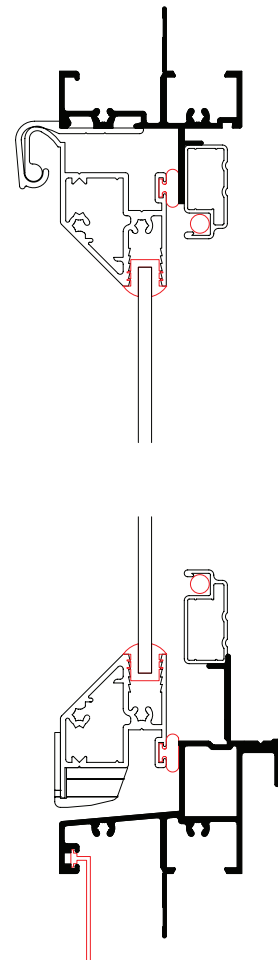
**7 Glazing**  
Trend® sash is available in special toughened glass options with energy efficiency applications. Acoustic solutions are also available to high STC rating

(This may vary however. For more information on variations to this please contact you Trend Sales Executive)

**8 Bushfire Standards**  
Complies with AS3959 and AS1530.8.1.

**NOTE:**  
Window Placement - Care should be taken with locating opening awning windows in pedestrian traffic areas.

\*Xtreme® Windows & Doors have been tested to AS1530.8.1, and comply to Section 8 Construction Service Bushfire Attack Level 40 (BAL-40), Radiant Heat Level 40kW/m<sup>2</sup>, AS3959 (2009). For full details of Standards requirements for individual products please refer to Trend Windows & Doors Technical Department.



# Size Range - QLD

Xtreme® Aluminium 48mm Awning Window

STUD OPENING WINDOW		660	960	1260	1560	1860	2160	2460	2760
		610	910	1210	1510	1810	2110	2410	2710
655	600	QA0606E	QA0609E	QA0612E	QA0615E	QA0618E	QA0621E	QA0624E	QA0627E
955	900	QA0906E	QA0909E	QA0912E	QA0915E	QA0918E	QA0921E	QA0924E	QA0927E
1055	1000	QA1006E	QA1009E	QA1012E	QA1015E	QA1018E	QA1021E	QA1024E	QA1027E
1255	1200	QA1206E	QA1209E	QA1212E	QA1215E	QA1218E	QA1221E	QA1224E	QA1227E
1420	1365	QA1406E	QA1409E	QA1412E	QA1415E	QA1418E	QA1421E	QA1424E	QA1427E
1855	1800	QA1806XE	QA1809XE	QA1812XE	QA1815XE	QA1818XE	QA1821XE	QA1824XE	QA1827XE
2135	2100	QA2106XE	QA2109XE	QA2112XE	QA2115XE	QA2118XE	QA2121XE	QA2124XE	QA2127XE
2135	2100	QA2106E	QA2109E	QA2112E	QA2115E	QA2118E	QA2121E	QA2124E	QA2127E

All windows and doors are designed to 700pa velocity and 150pa water rating. For higher ratings consult Xtreme® Windows & Doors

Maximum frame height is 3000mm

Maximum single glass area is 2.4m<sup>2</sup>

Screens to be fitted to operating sash area only



Please note that drawings are not to scale

Xtreme® 48mm Awning Window | AAE | Mk 3 | 1 July 2013

Confidentiality Notice: This document and the information it contains are copyright and confidential to Trend® Windows & Doors Pty Limited. Disclosure, use and copying in any form whatsoever, except as authorised by Trend® Windows & Doors in writing, are strictly prohibited. Patents and Design Registrations pending.

## Ordering Details - QLD

Xtreme® Aluminium 48mm Awning Window

All windows are illustrated as viewed from outside. Codes shown are for plain windows.

Manufactured from 48mm aluminium extrusion. The first two numbers of code indicate approximate height, the last two numbers indicate approximate width.

### **Sash Style Options:**

Standard option is window code QA0606E

T indicates Thermashield® double glazed sash style, eg window code QTA0606E

N indicates Sentinel sash style. Eg window code QNA0606E

### **Configuration Options:**

A indicates Awning

F indicates Fixed

AA indicates Awning\Awning

AF indicates Awning\Fixed

FA indicates Fixed\Awning

FF indicates Fixed\Fixed

AAA indicates Awning\Awning\Awning

AFA indicates Awning\Fixed\Awning

FAF indicates Fixed\Awning\Fixed

FFF indicates Fixed\Fixed\Fixed

X after the size indicates a Transom

### **General:**

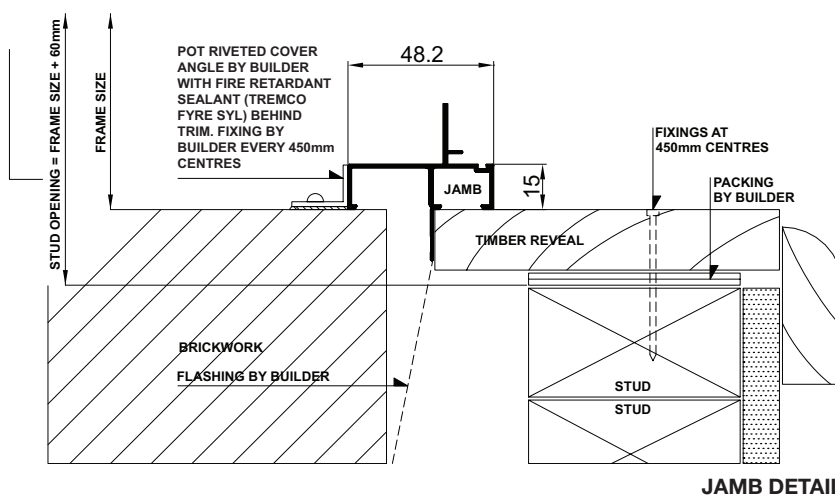
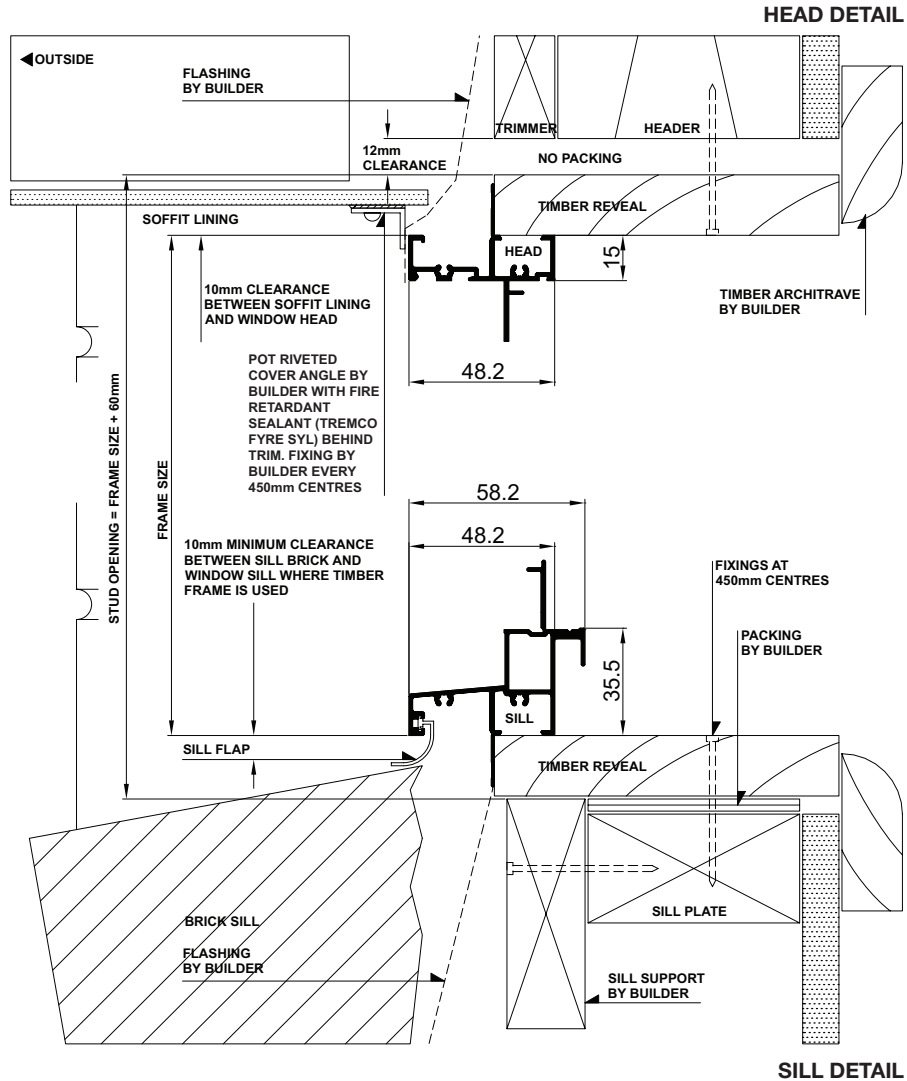
Black hardware is supplied as standard

### **Note:**

No sill reveal to 2100 high windows

# Installation

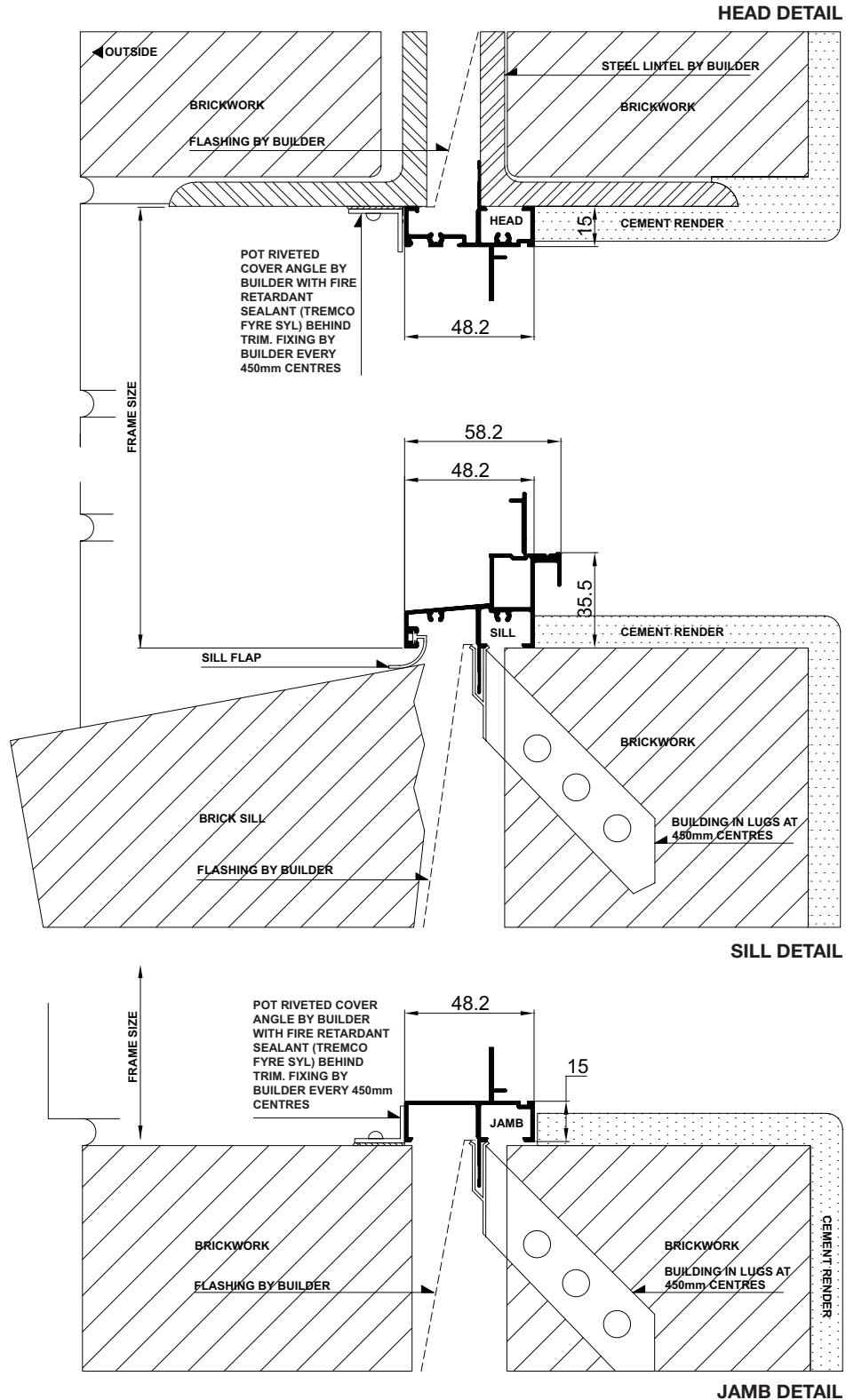
Xtreme<sup>®</sup> Aluminium 48mm Awning Window | Building In Detail | **Brick Veneer - 230mm wall**





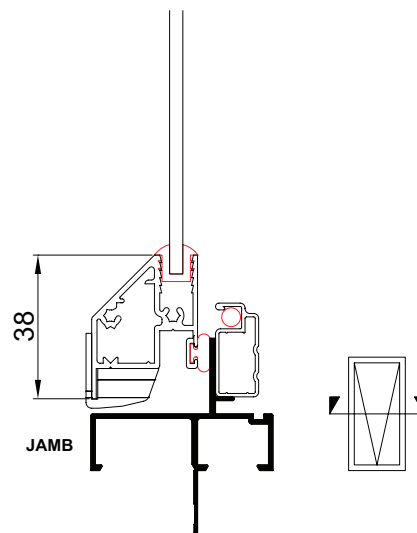
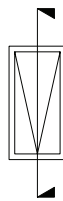
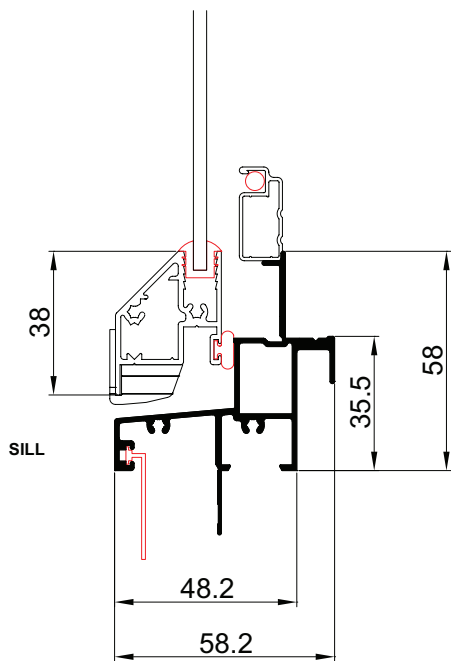
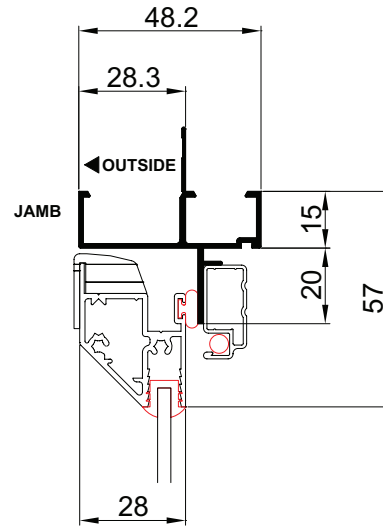
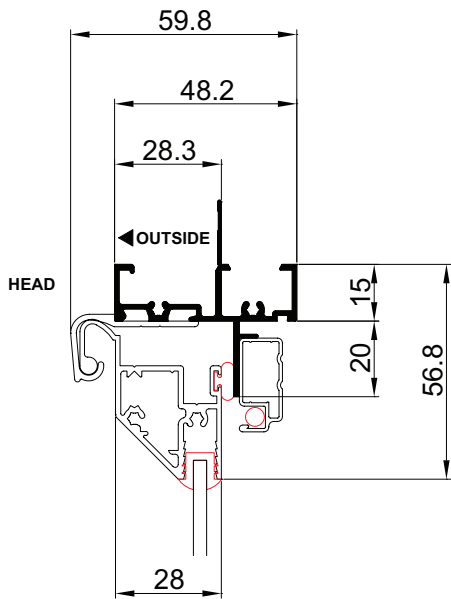
# Installation

Xtreme<sup>®</sup> Aluminium 48mm Awning Window | Building In Detail | **Double Brick - 280mm wall**



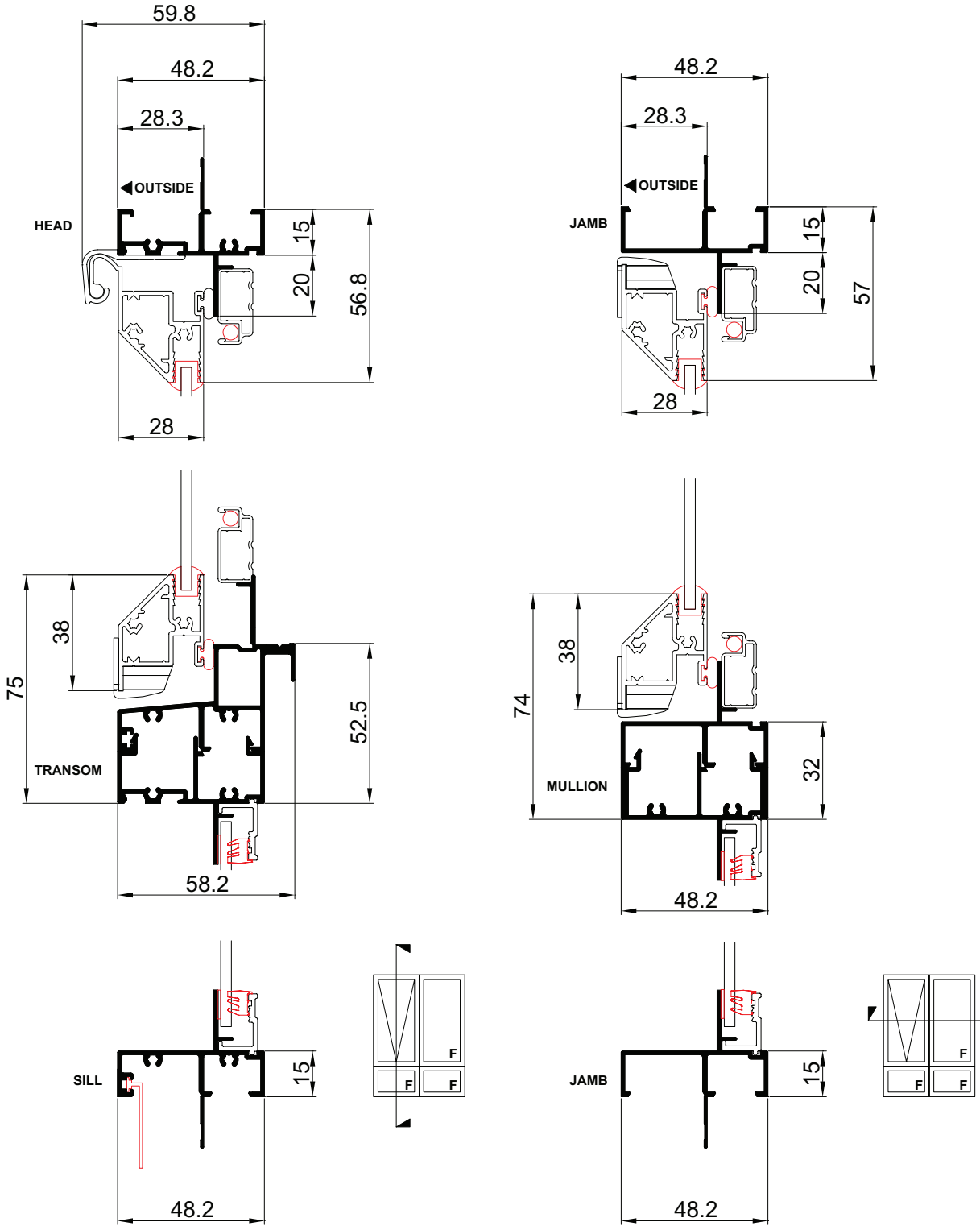
# Cross Sectional Views

Xtreme<sup>®</sup> Aluminium 48mm Awning Window | 48mm | **Standard**



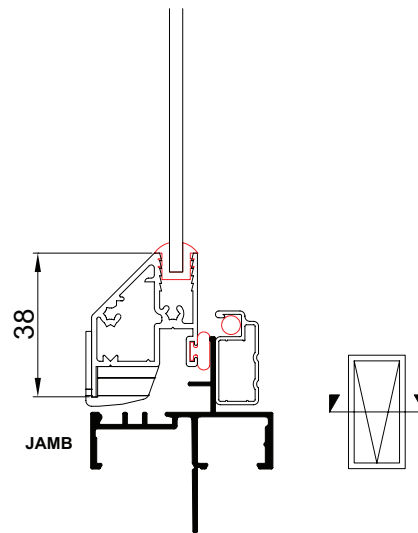
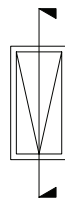
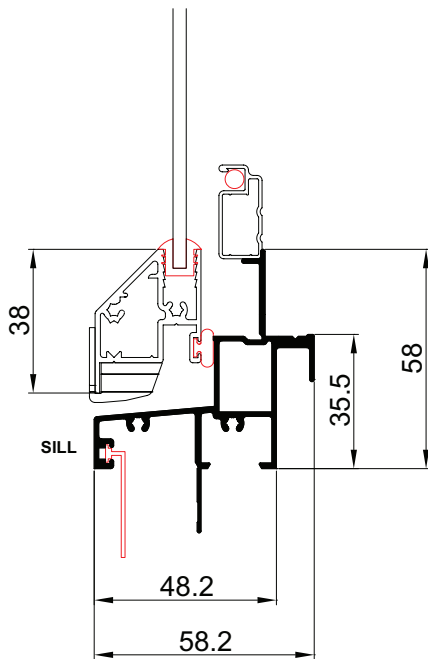
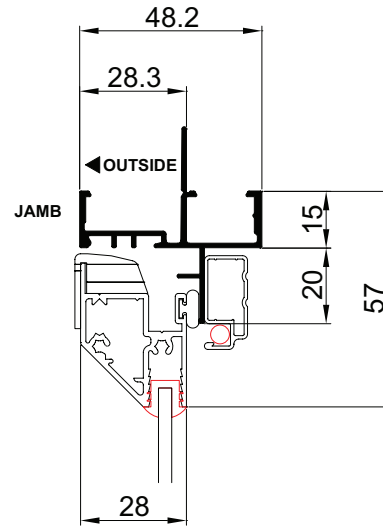
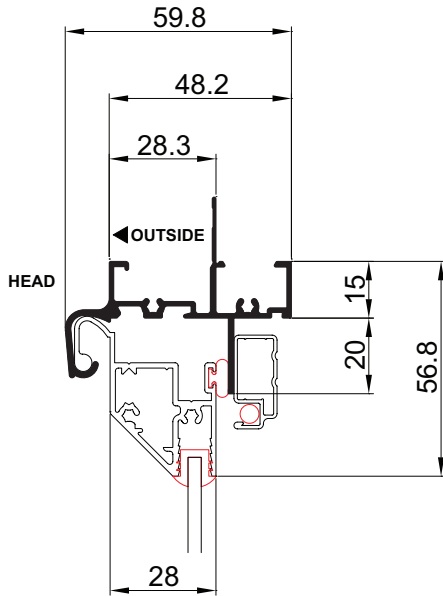
# Cross Sectional Views

Trend® 48mm Awning Window | **Two Lite with Lowlite**



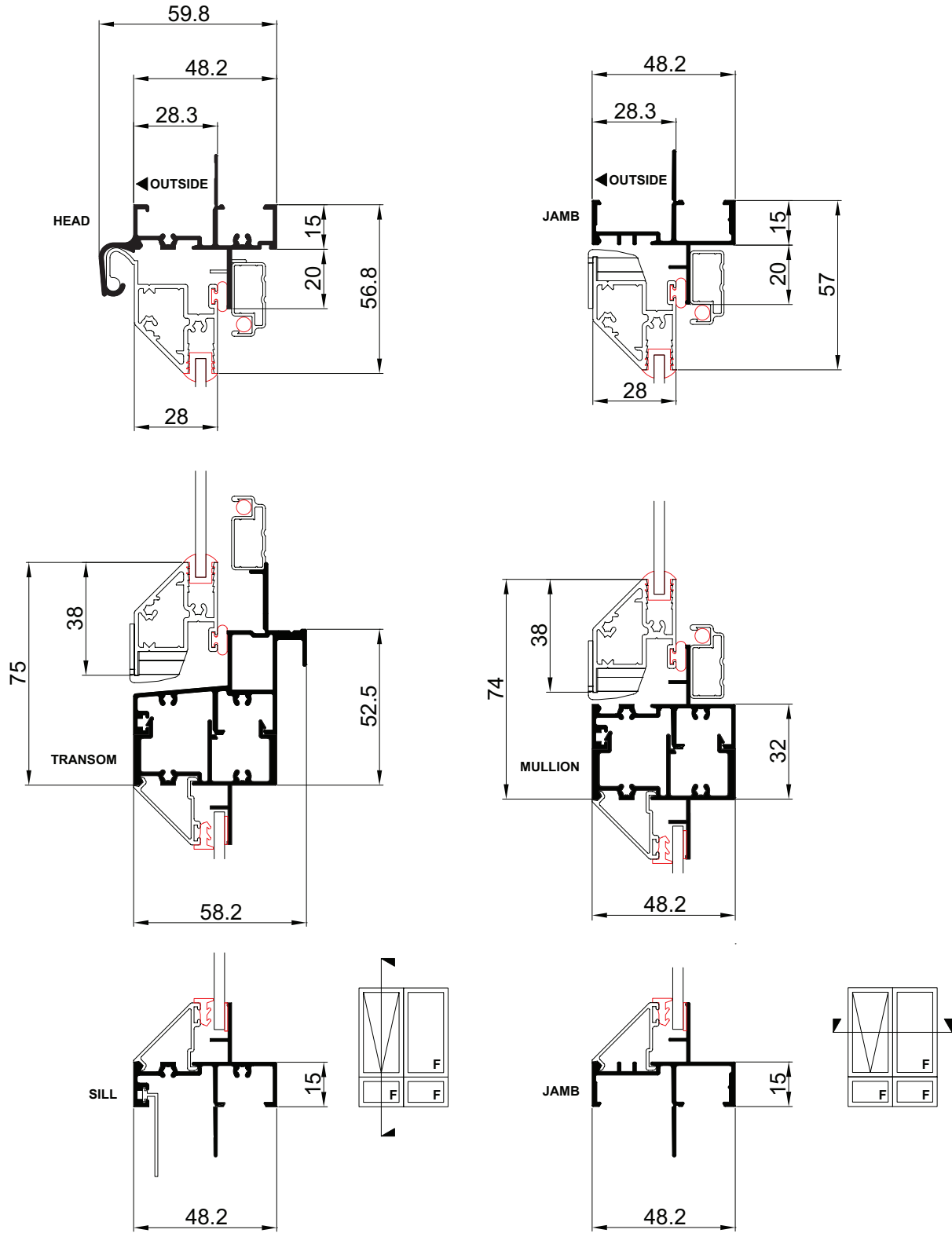
## Cross Sectional Views

Xtreme<sup>®</sup> Aluminium Awning | 48mm | Sentinel



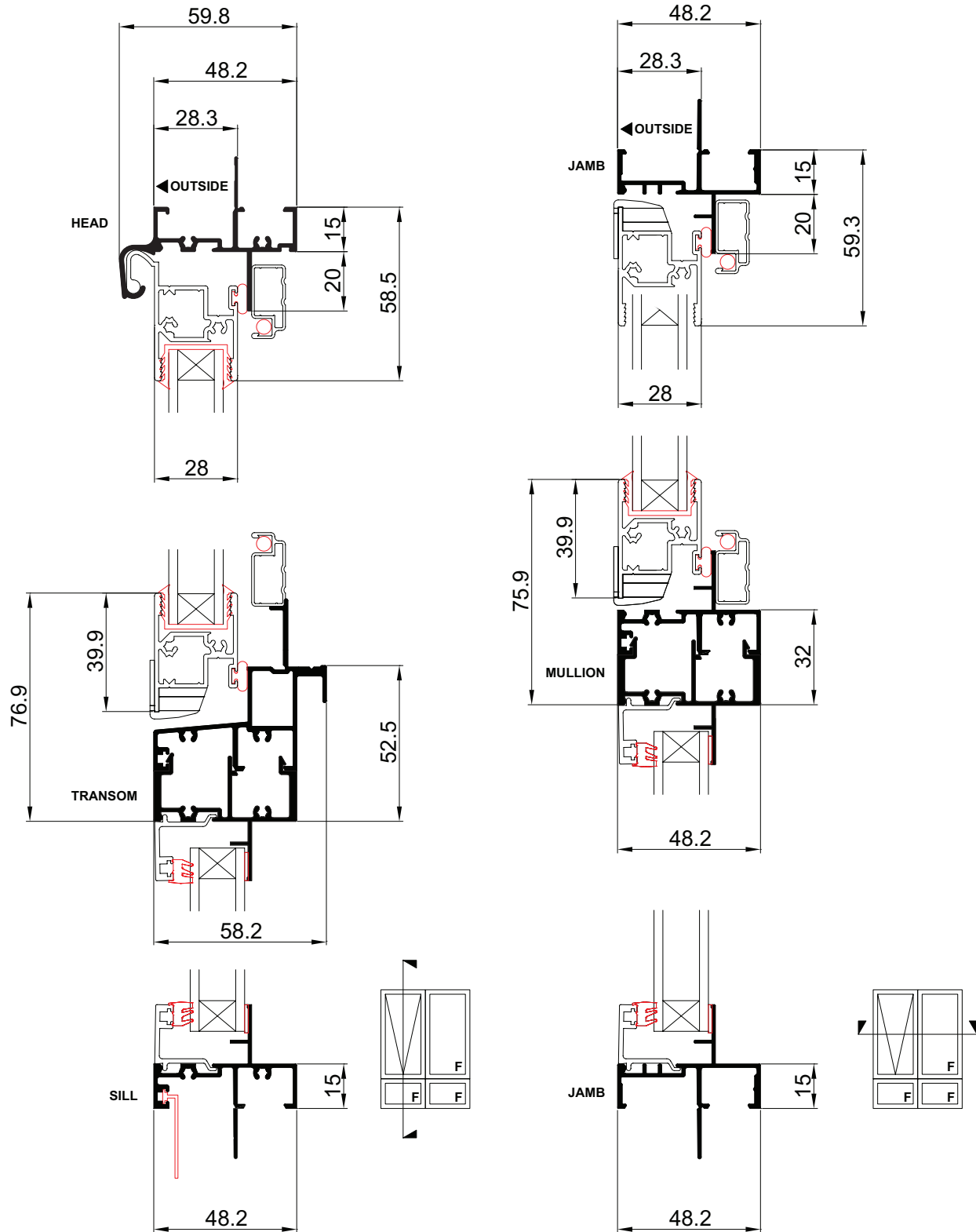
# Cross Sectional Views

Xtreme<sup>®</sup> Aluminium Awning | 48mm | Sentinel



# Cross Sectional Views

Xtreme<sup>®</sup> Aluminium 48mm Awning Window | Thermashield



Please note that drawings are not to scale

Xtreme<sup>®</sup> 48mm Awning Window | AAE | Mk 3 | 1 July 2013

Confidentiality Notice: This document and the information it contains are copyright and confidential to Trend<sup>®</sup> Windows & Doors Pty Limited. Disclosure, use and copying in any form whatsoever, except as authorised by Trend<sup>®</sup> Windows & Doors in writing, are strictly prohibited. Patents and Design Registrations pending.