



Crestlite® 600 Front Glazed Features & Benefits

600 Front Glazed - Features & Benefits

600 Front Glazed - Features & Benefits

FRAME

- Robust commercial aluminium window frame - ideal for larger fixed lite applications.
- Overall frame profile measures is 50mm x 102mm.
- Frames are glazed internally.
- Frame can be glazed with top or bottom bead.
- Commercial look for developments, apartments, units or high end residential projects.

GLAZING & ENERGY EFFICIENCY

- All Trend® Windows and Doors comply with AS1288, AS/NZS4666, AS/NZS1170 and AS/NZS1664.
- Frame contains deep pockets allowing for greater overlapping strength of glass.
- Clean glazing line to exterior aspect.
- Frames are glazed internally or externally.
- Glazing options from 5mm to 12.38mm thickness.
- Maximum single fixed lite panel is up to 8sqm each.
- Maximum multiple fixed lite panels is up to 6sqm each.
- Secure captive wedge used for glazing frames.
- Energy efficiency options available to help reduce energy consumption.
- All glazing options are Window Energy Rating Scheme (WERS) rated - providing a wide range of energy efficient solutions.

ACOUSTICS

- Acoustic solutions available for improved noise reduction.
- High R_w ratings or STC ratings available.

FRAME ADAPTABILITY

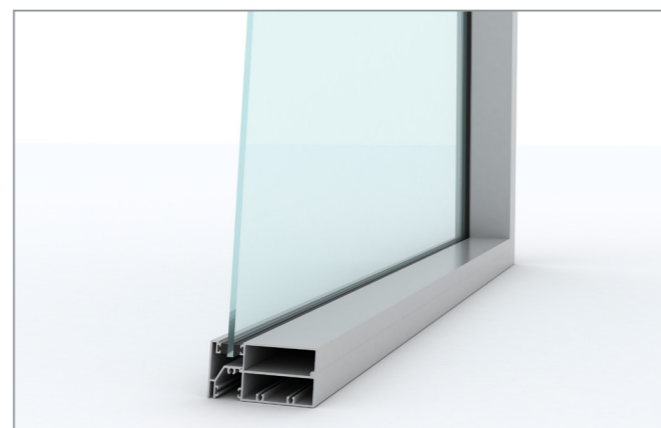
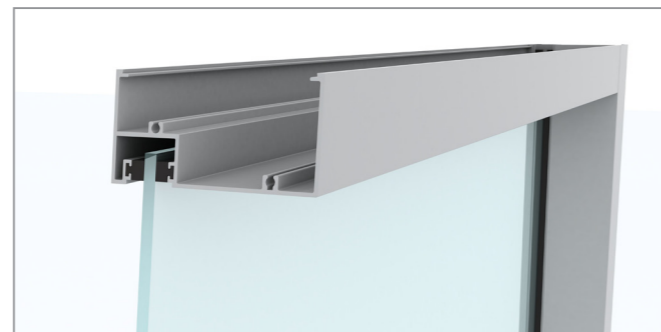
- Crestlite® hinge door, pivot door and awning sash inserts are designed to be adapted to this frame.

WIND & WATER RATINGS

- All Trend® Windows and Doors are designed to meet and surpass 700Pa wind velocity rating and 150Pa water penetration rating and comply with AS2047.
- Pascal deflection rates up to 2200Pa.
- Front glazed commercial suite contains a concealed drainage hole for high water ratings as well as additional front screw holes for stronger frame fixing for higher wind load areas.
- Front glazed is rated at an air infiltration of 0.19L/s m² (below the the National Construction Code (NCC) for Air conditioned spaces of 1.00L/s m²) perfect for both air conditioned and non-air conditioned spaces.

FINISHES

- Wide range of powdercoat finishes are available (including warranty powders and anodised options).



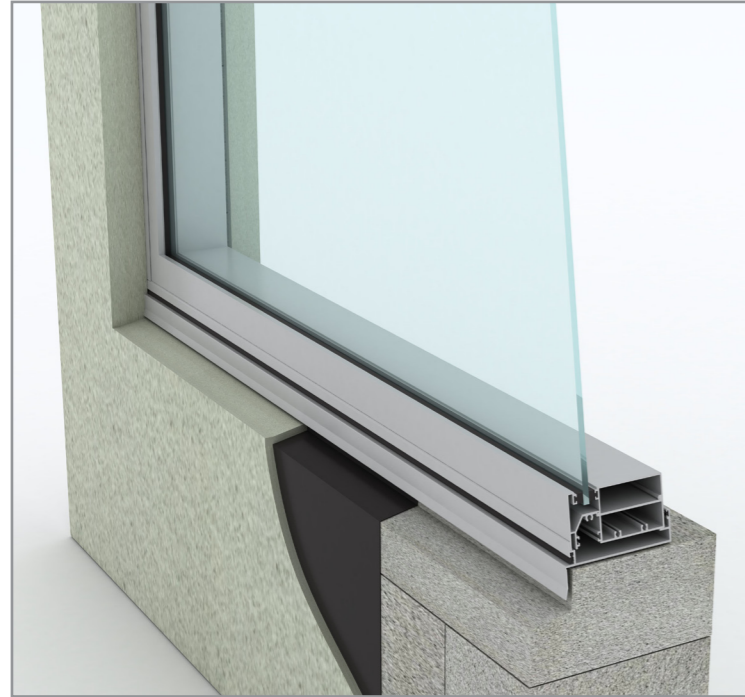
Note: To obtain maximum rating detail contact your nearest Trend Architectural Consultant.



Crestlite® 600 Front Glazed Installation

600 Front Glazed - Installation

Building In Detail | **Blockwork**



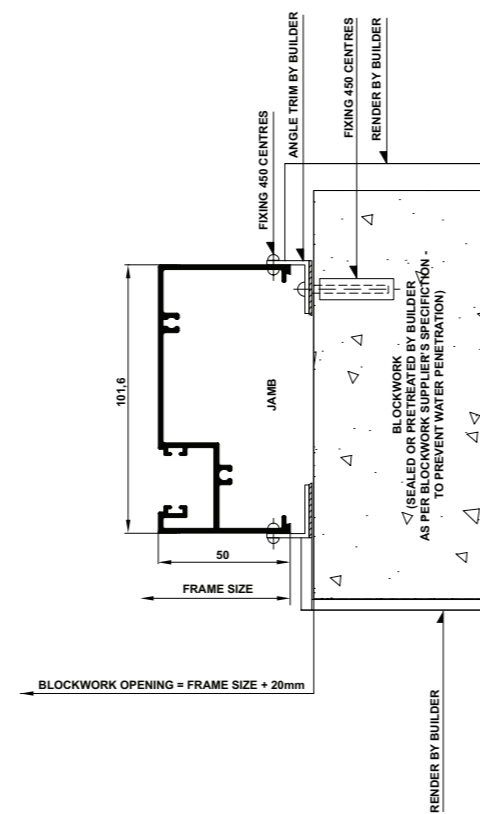
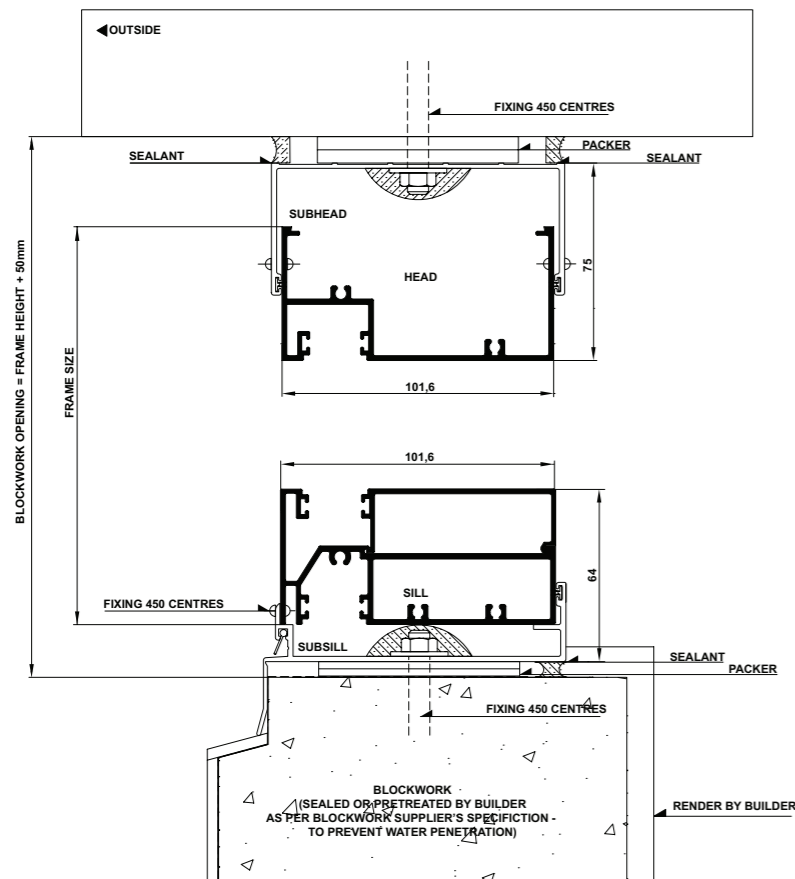
INSTALLING FRAME CORRECTLY

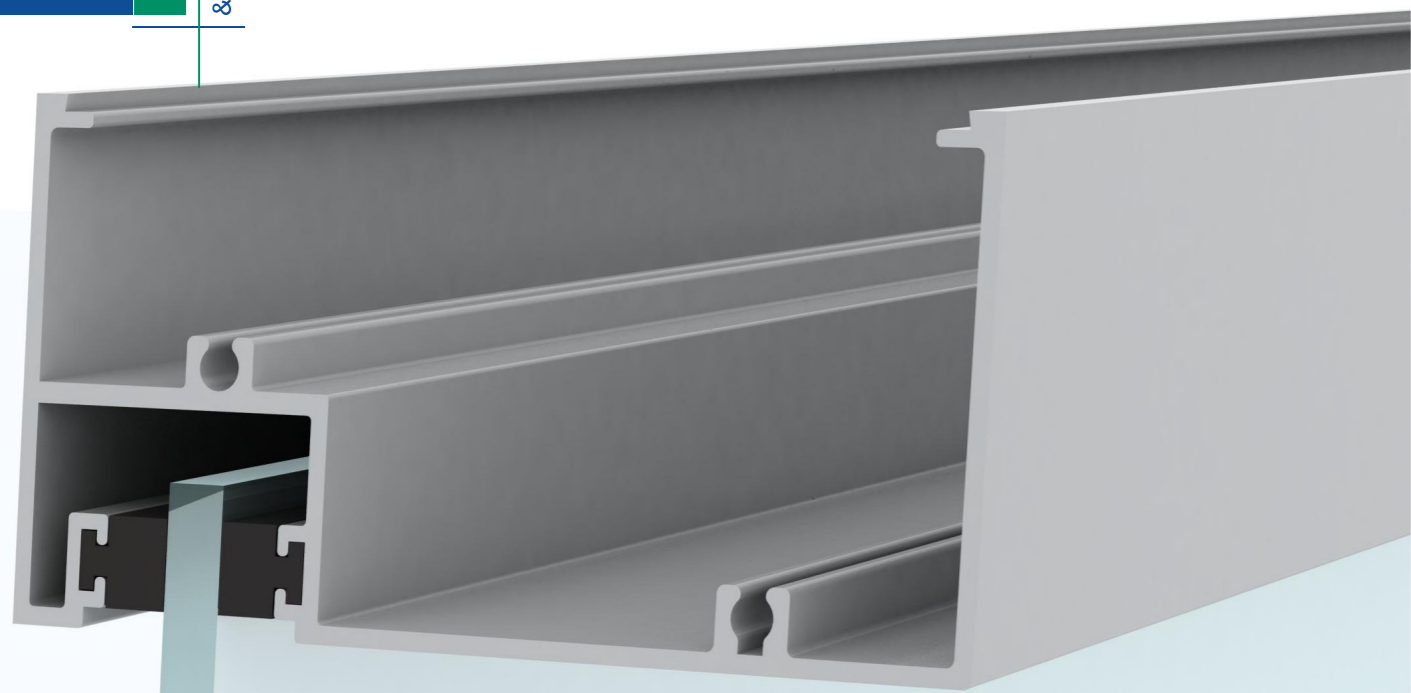
- Measure the frame opening to ensure that there is sufficient room for the product and additional packing.

Blockwork Opening:

Height = Frame Size + 50mm
Width = Frame Size + 20mm

- Header beam should be at least 12mm clear of window frame.
- Fit subframe to opening and seal fixings.
- Fit window to subframe (screw or pop-rivet).
- Do not permit weight of eaves or arch bars to bear on any window or door frame. **(Windows and doors are not load bearing.)**
- To ensure the satisfactory long term performance of window, install sill support (refer to drawings below).
- Ensure outside finish does not block sill drainage holes.





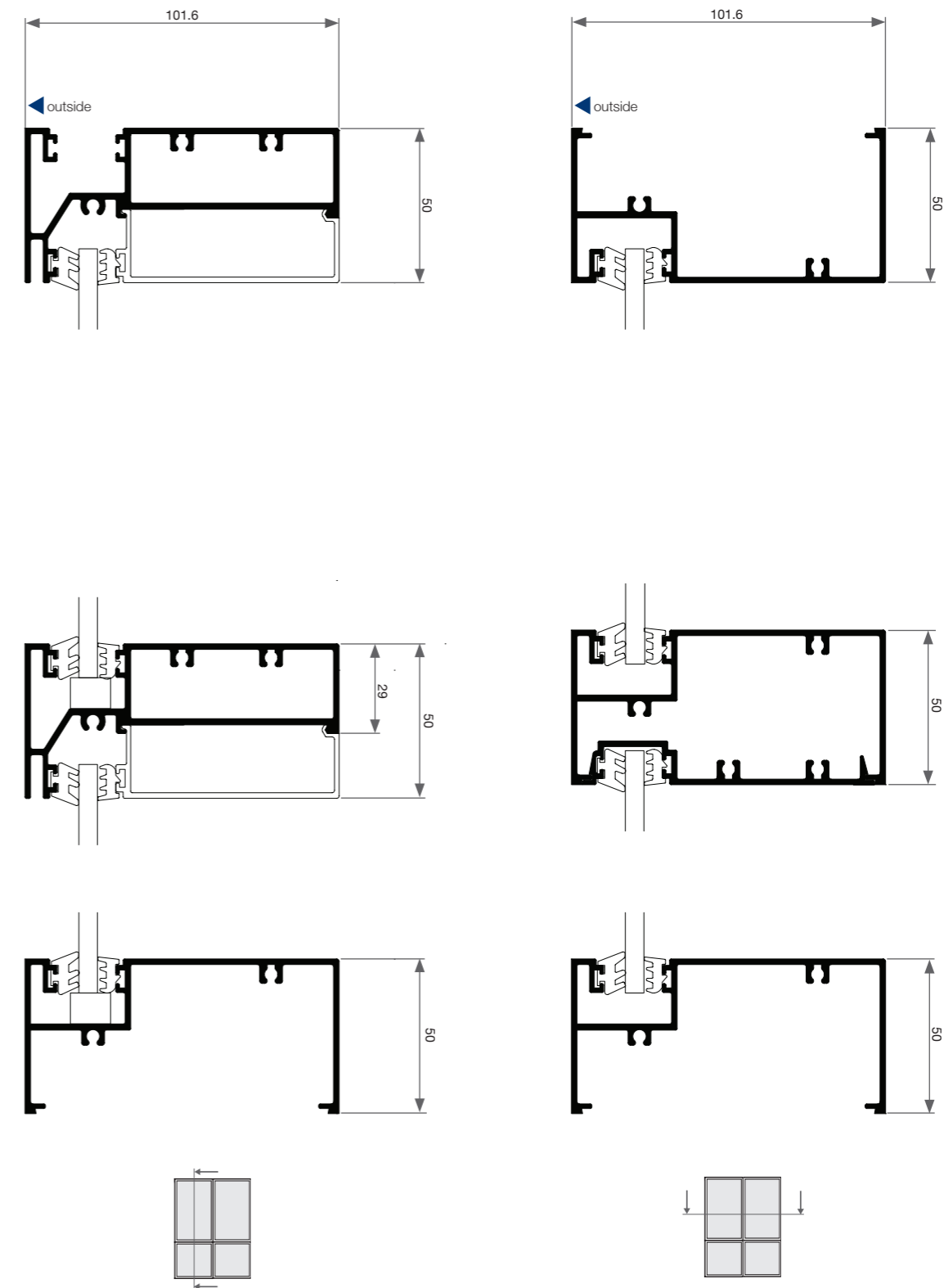
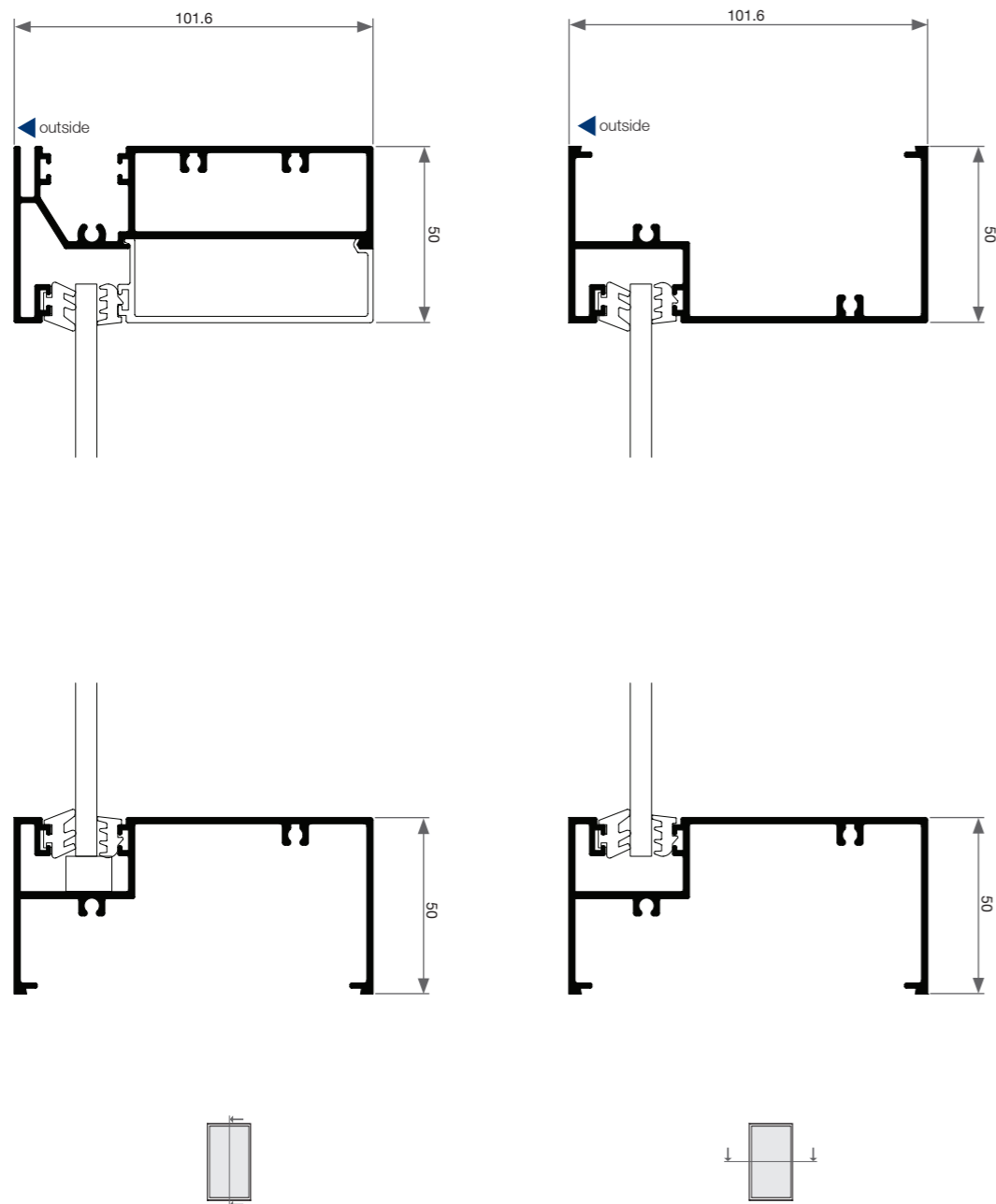
Crestlite® 600 Front Glazed Cross Sectional Views

600 Front Glazed - Cross Sectional View

600 Front Glazed - Cross Sectional View

Single Lite Top Beaded

Two Lite with Lowlite - Top Beaded

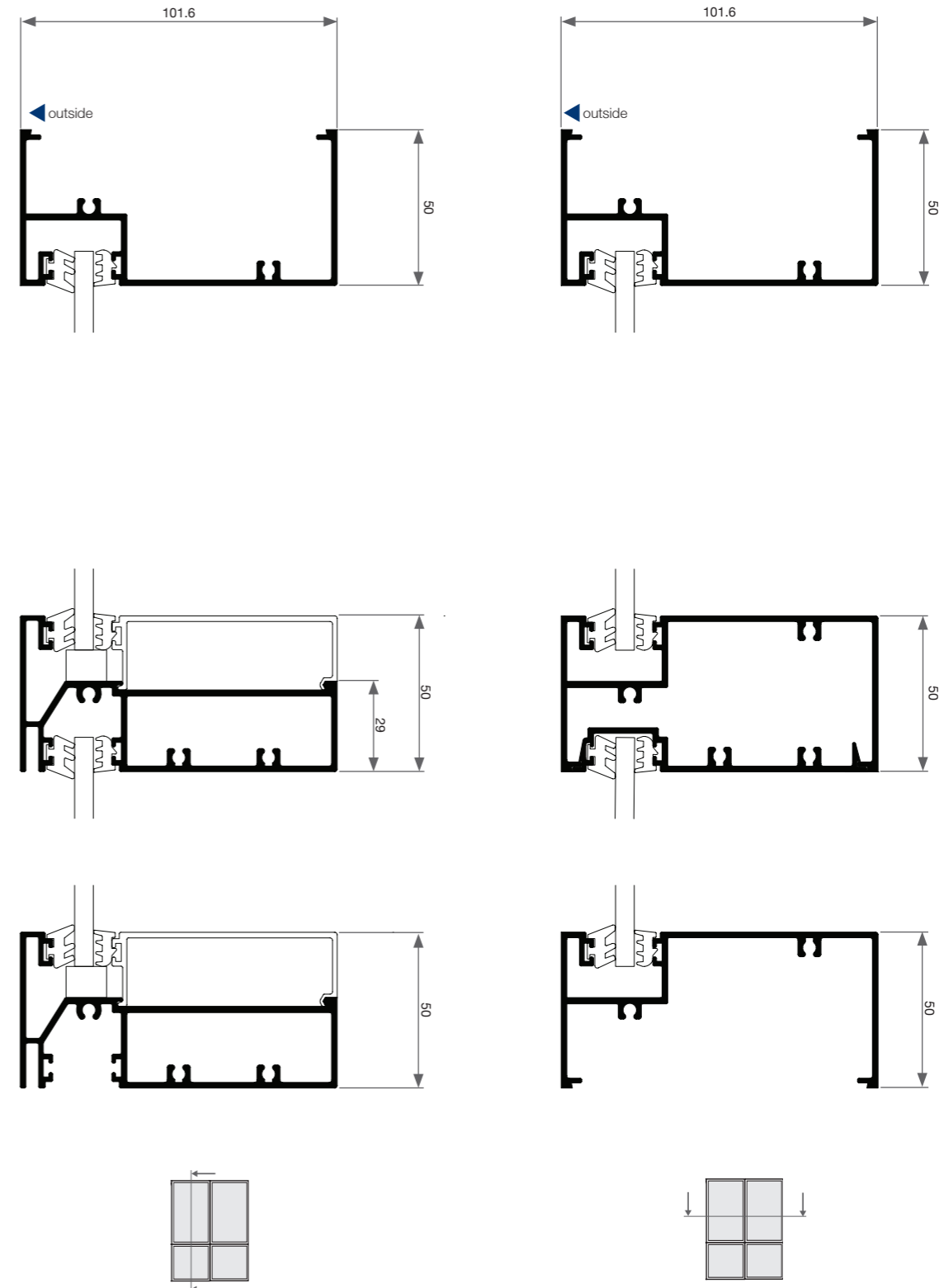
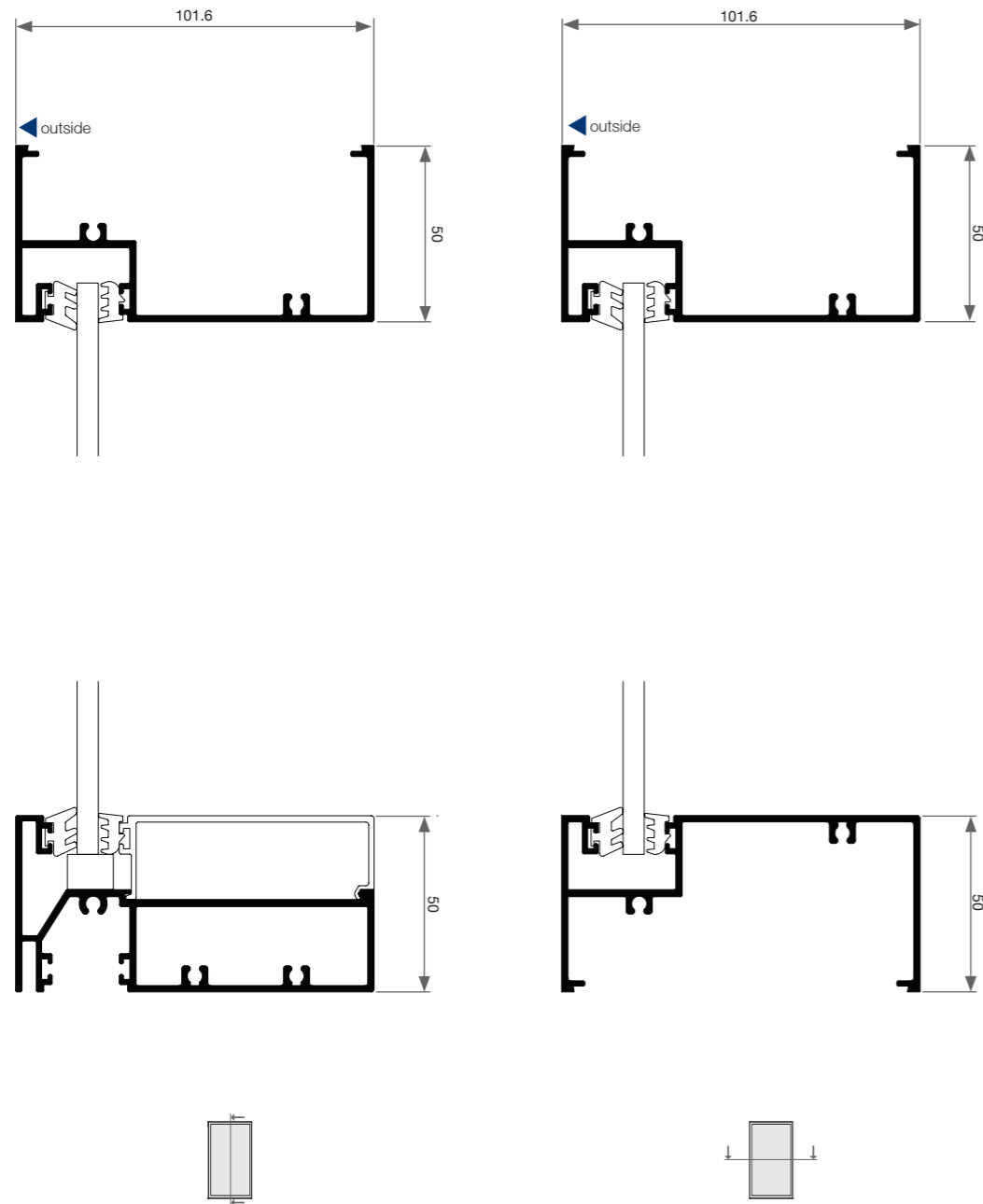


600 Front Glazed - Cross Sectional View

600 Front Glazed - Cross Sectional View

Single Lite - Bottom Beaded

Two Lite with Lowlite - Bottom Beaded



600 Front Glazed - Cross Sectional View

600 Front Glazed - Cross Sectional View

Single Lite - Externally Beaded

Two Lite with Lowlite - Externally Beaded

