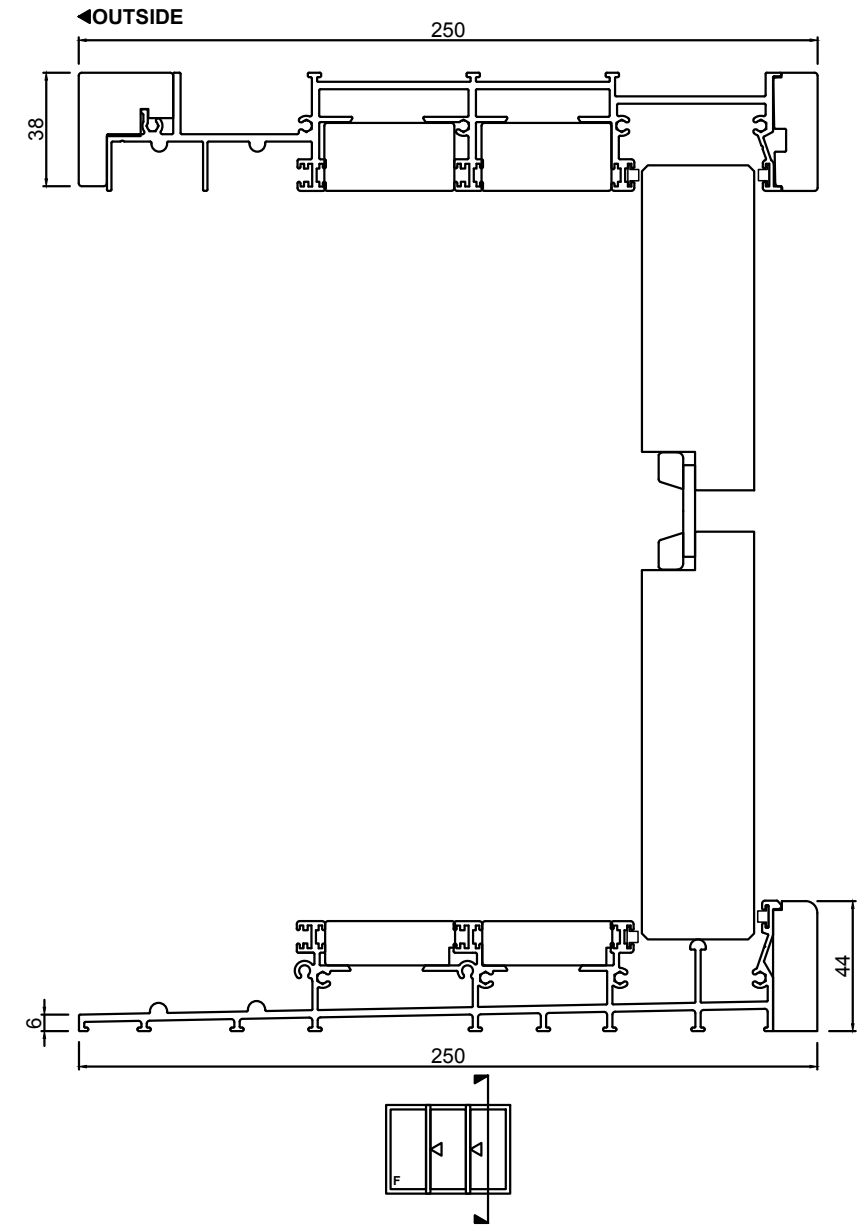
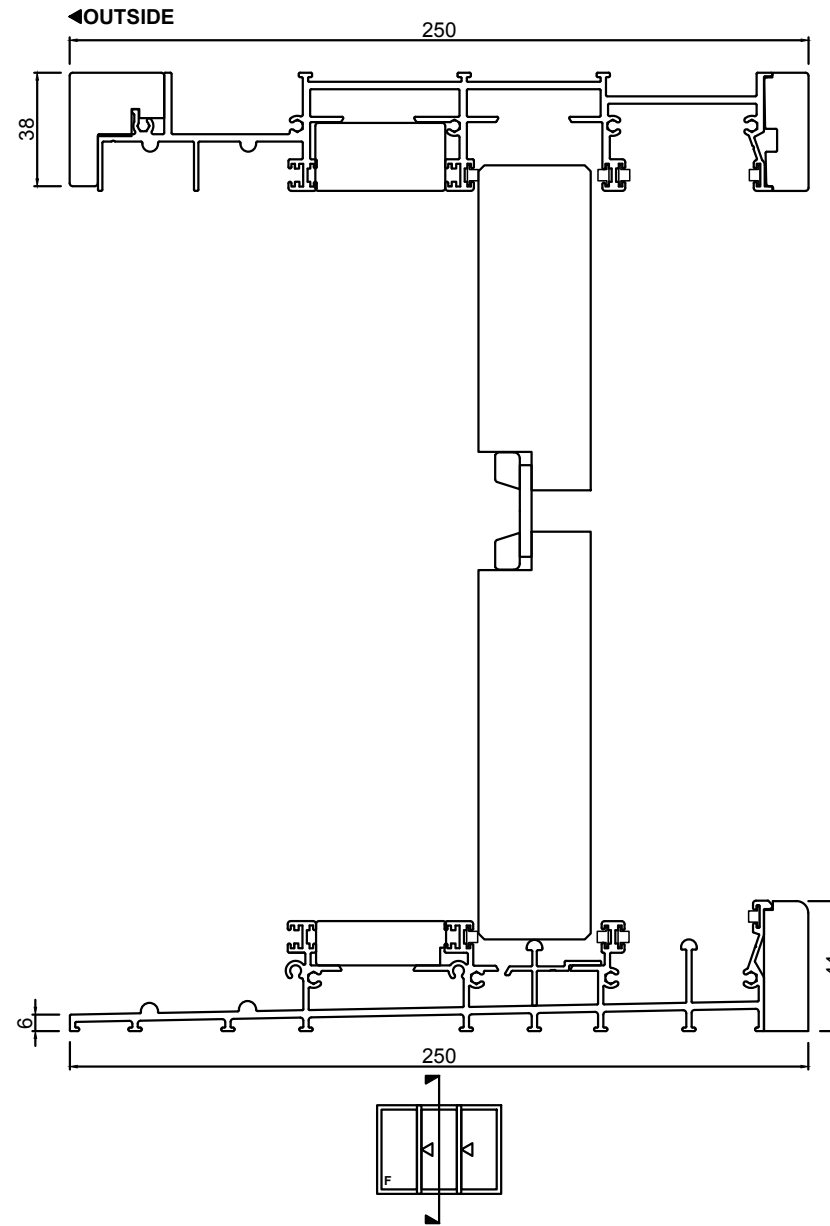
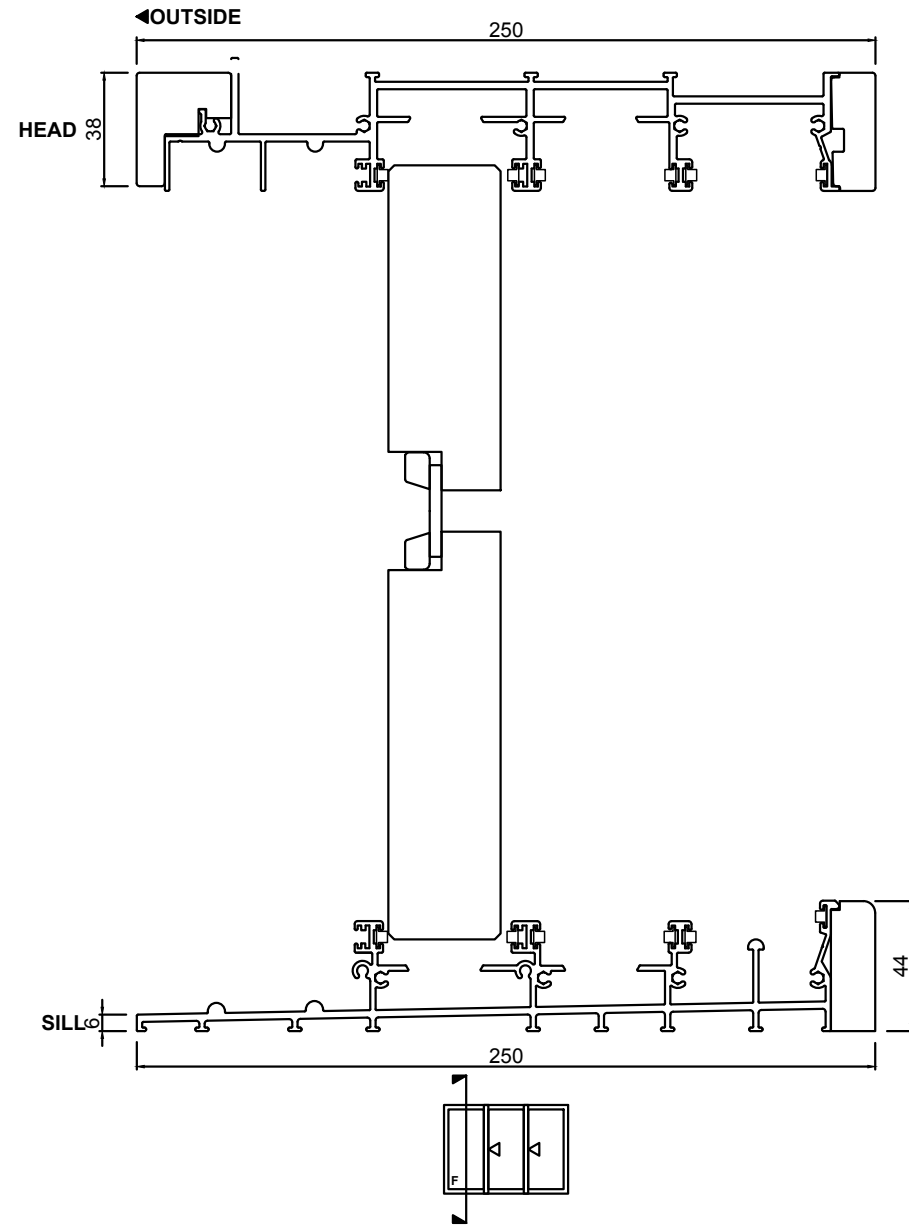


RANGE
BOTANICA

PRODUCT
STACKING DOOR

CONFIGURATION
3 LITE



Notice
This drawing is confidential. This drawing and its copyright are the property of or to Trend Windows & Doors and must not be used, disclosed or reproduced in any form whatsoever except as authorised in writing.

This drawing must be returned with quotation and/or completion of job as applicable

Drawing Notice
These are only a generic building in details to assist in the construction and installation of Trend Windows and Doors; please contact us for further information or enquiries.

Issue
A

Modification
FIRST ISSUE

Date
FEB 18

Date
08 02 2018

Revision

A

Drawn

P.G.



RANGE

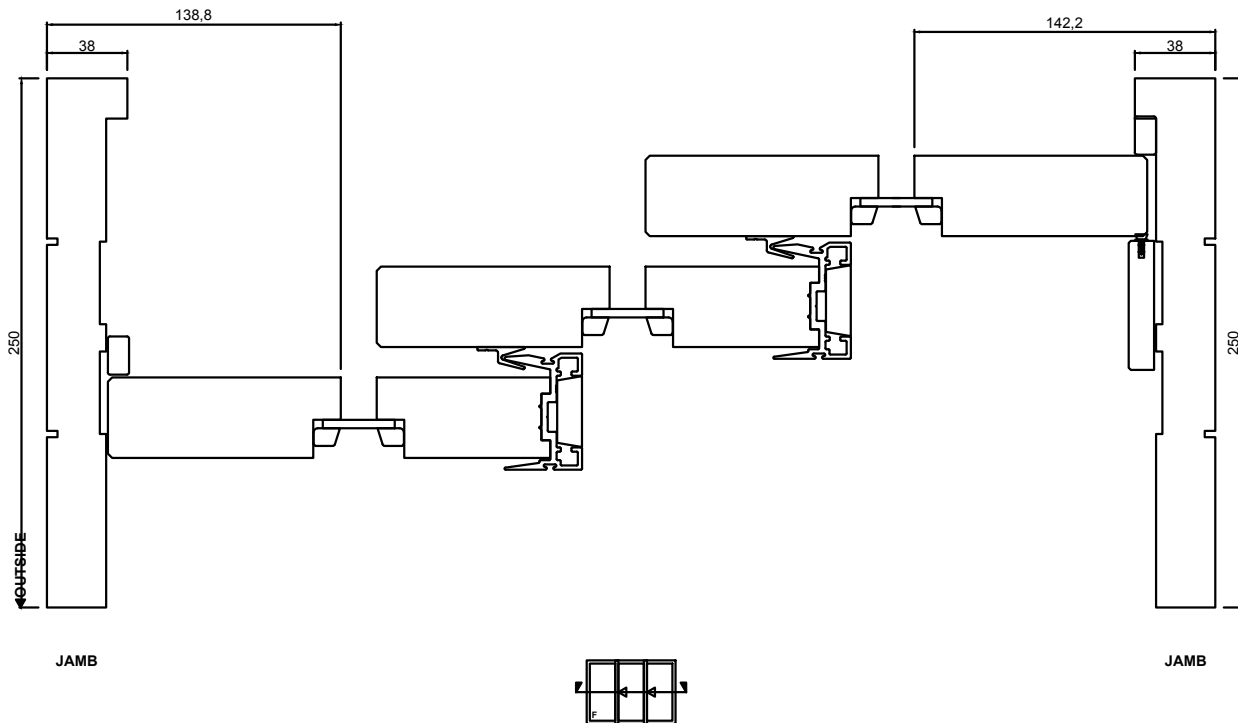
PRODUCT

CONFIGURATION

BOTANICA

STACKING DOOR

3 LITE



JAMB

JAMB

Notice

This drawing is confidential. This drawing and its copyright are the property of or to Trend Windows & Doors and must not be used, disclosed or reproduced in any form whatsoever except as authorised in writing.

This drawing must be returned with quotation and/or completion of job as applicable

Drawing Notice

These are only a generic building in details to assist in the construction and installation of Trend Windows and Doors; please contact us for further information or enquiries.

Issue

A

Modification

FIRST ISSUE

Date

FEB 18

Date

08 02 2018

Revision

A

Drawn

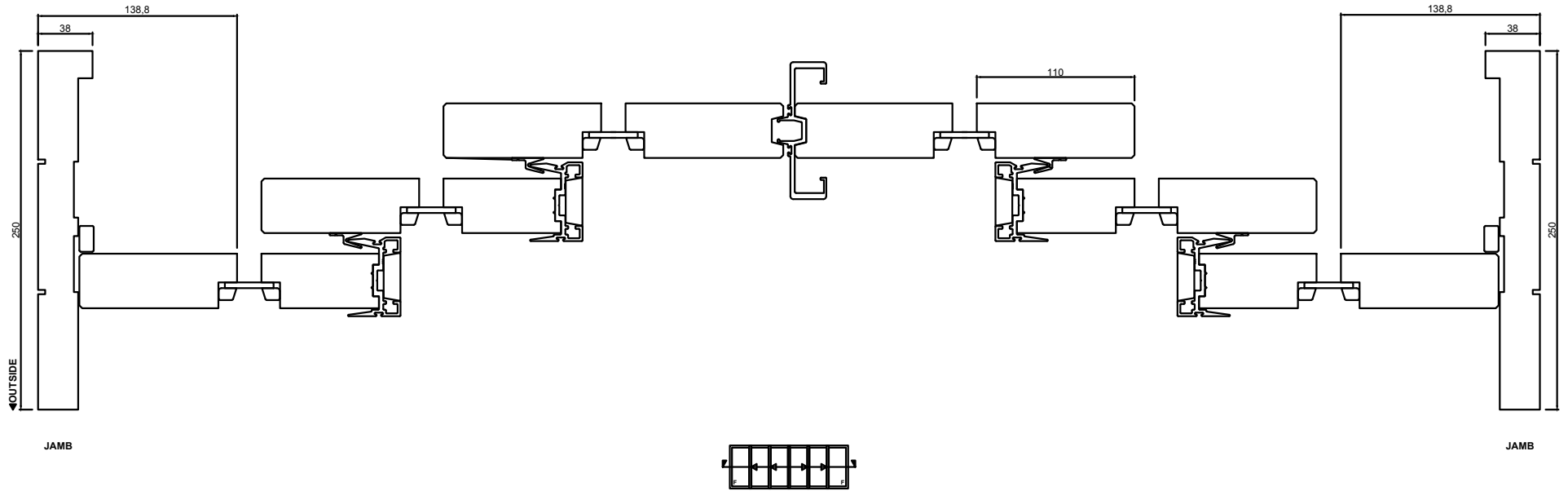
P.G.



RANGE
BOTANICA

PRODUCT
STACKING DOOR

CONFIGURATION
6 LITE



Notice	Drawing Notice	Issue	Modification	Date	Date
<p>This drawing is confidential. This drawing and its copyright are the property of or to Trend Windows & Doors and must not be used, disclosed or reproduced in any form whatsoever except as authorised in writing.</p> <p>This drawing must be returned with quotation and/or completion of job as applicable</p>	<p>These are only a generic building in details to assist in the construction and installation of Trend Windows and Doors; please contact us for further information or enquiries.</p>	A	FIRST ISSUE	FEB 18	08 02 2018
					Revision
					A
					Drawn
					P.G.



RANGE

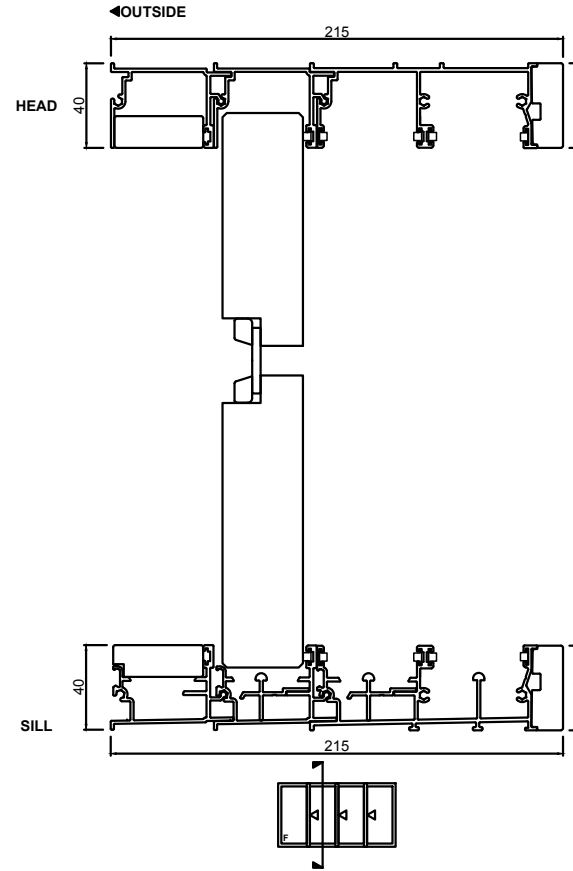
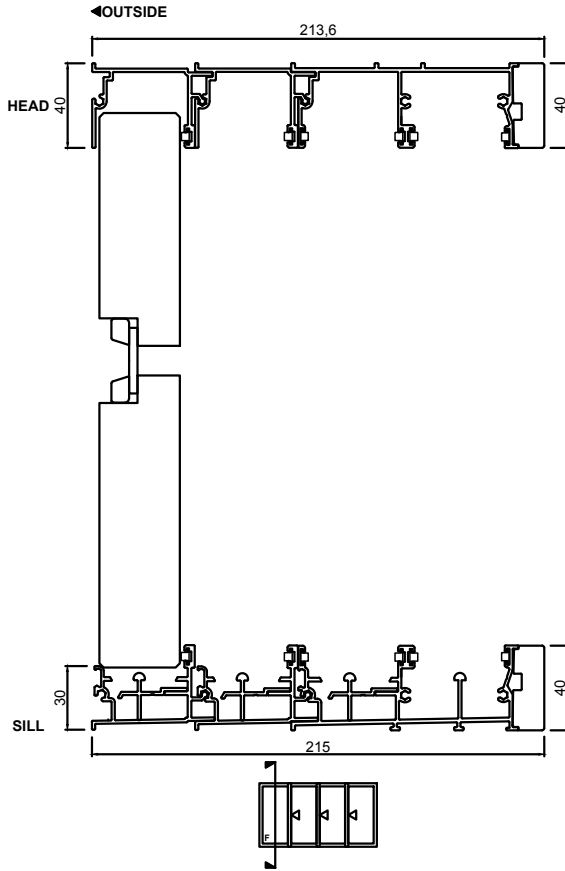
PRODUCT

CONFIGURATION

BOTANICA

STACKING DOOR

4 LITE



Notice

This drawing is confidential. This drawing and its copyright are the property of or to Trend Windows & Doors and must not be used, disclosed or reproduced in any form whatsoever except as authorised in writing.

This drawing must be returned with quotation and/or completion of job as applicable

Drawing Notice

These are only a generic building in details to assist in the construction and installation of Trend Windows and Doors; please contact us for further information or enquiries.

Issue

A

Modification

FIRST ISSUE

Date

FEB 18

Date

08 02 2018

Revision

A

Drawn

P.G.



RANGE

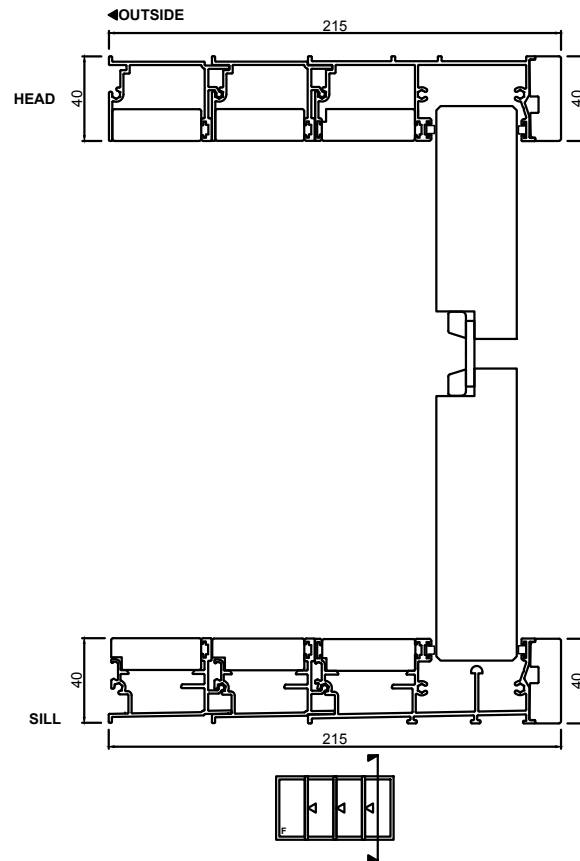
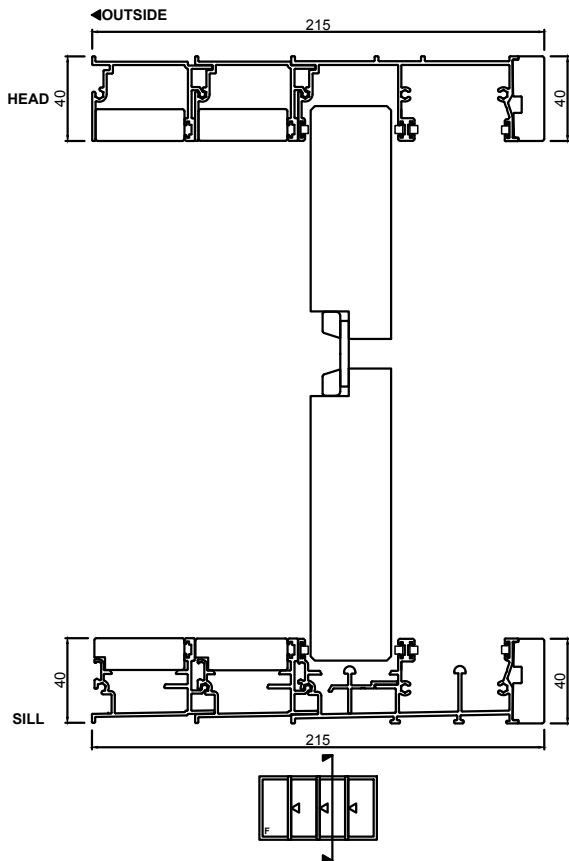
PRODUCT

CONFIGURATION

BOTANICA

STACKING DOOR

4 LITE



Notice

This drawing is confidential. This drawing and its copyright are the property of or to Trend Windows & Doors and must not be used, disclosed or reproduced in any form whatsoever except as authorised in writing.

This drawing must be returned with quotation and/or completion of job as applicable

Drawing Notice

These are only a generic building in details to assist in the construction and installation of Trend Windows and Doors; please contact us for further information or enquiries.

Issue

A

Modification

FIRST ISSUE

Date

FEB 18

Date

08 02 2018

Revision

A

Drawn

P.G.



RANGE

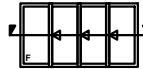
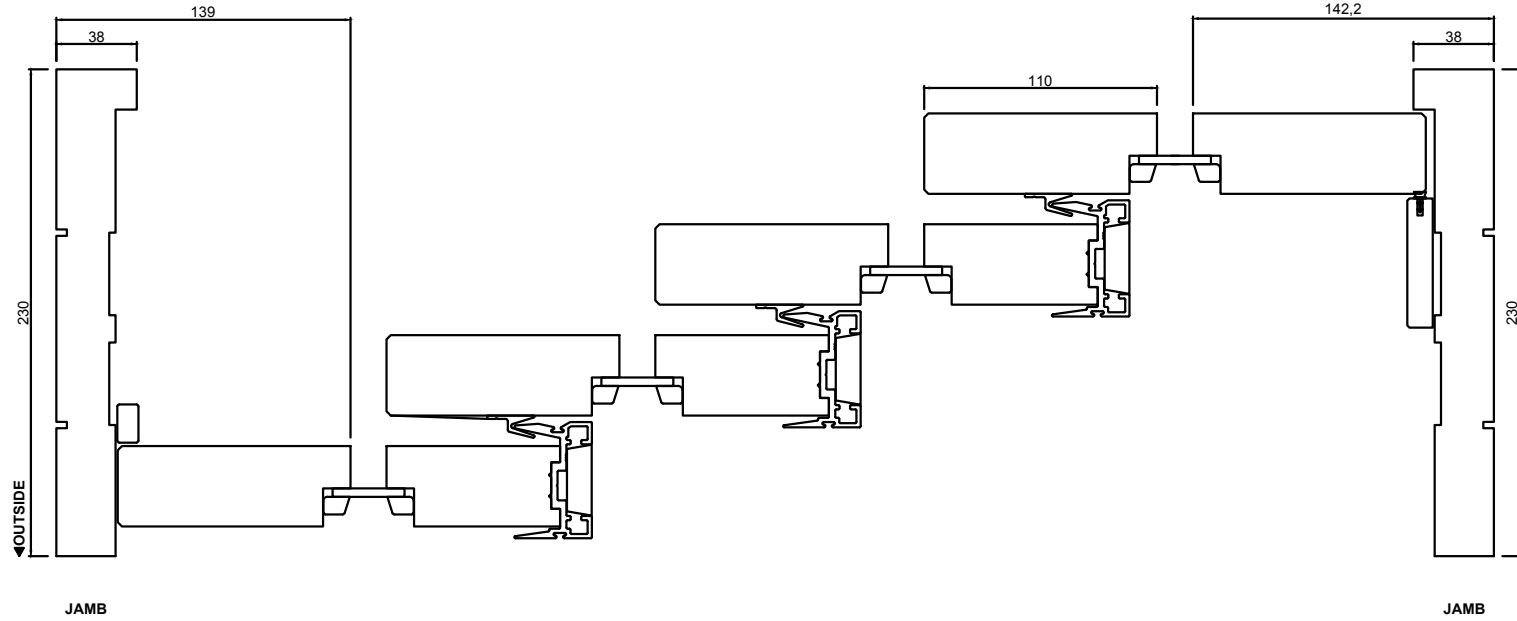
PRODUCT

CONFIGURATION

BOTANICA

STACKING DOOR

4 LITE



Notice

This drawing is confidential. This drawing and its copyright are the property of or to Trend Windows & Doors and must not be used, disclosed or reproduced in any form whatsoever except as authorised in writing.

This drawing must be returned with quotation and/or completion of job as applicable

Drawing Notice

These are only a generic building in details to assist in the construction and installation of Trend Windows and Doors; please contact us for further information or enquiries.

Issue

A

Modification

FIRST ISSUE

Date

FEB 18

Date

08 02 2018

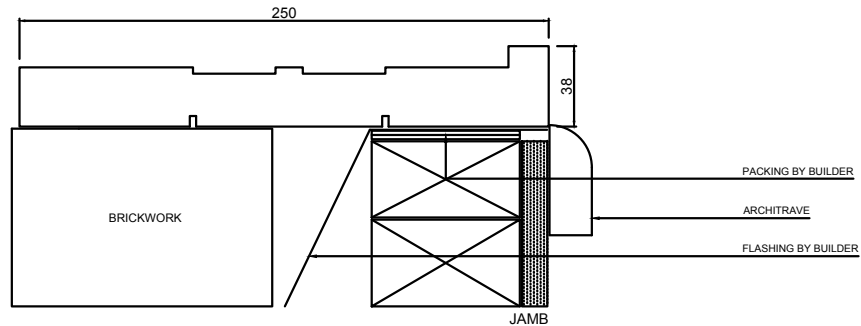
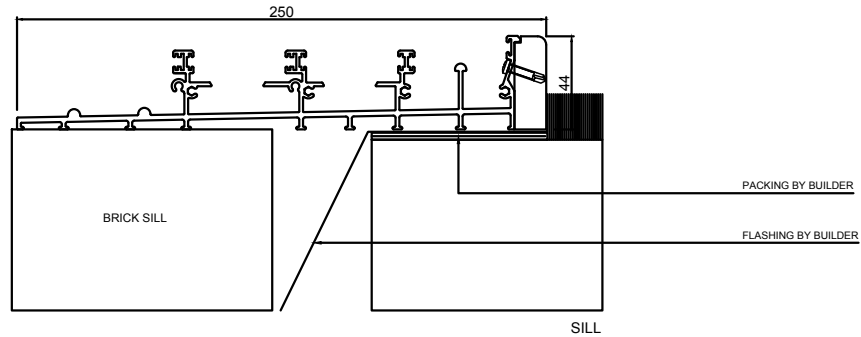
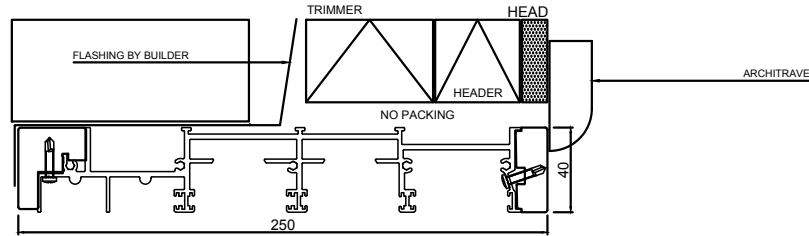
Revision

A

Drawn

P.G.





Notice	Drawing Notice	Issue	Modification	Date	Date
<p>This drawing is confidential. This drawing and its copyright are the property of or to Trend Windows & Doors and must not be used, disclosed or reproduced in any form whatsoever except as authorised in writing.</p> <p>This drawing must be returned with quotation and/or completion of job as applicable</p>	<p>These are only a generic building in details to assist in the construction and installation of Trend Windows and Doors; please contact us for further information or enquiries.</p>	A	FIRST ISSUE	FEB 18	08 02 2018
					Revision
					A
					Drawn
					P.G.



RANGE

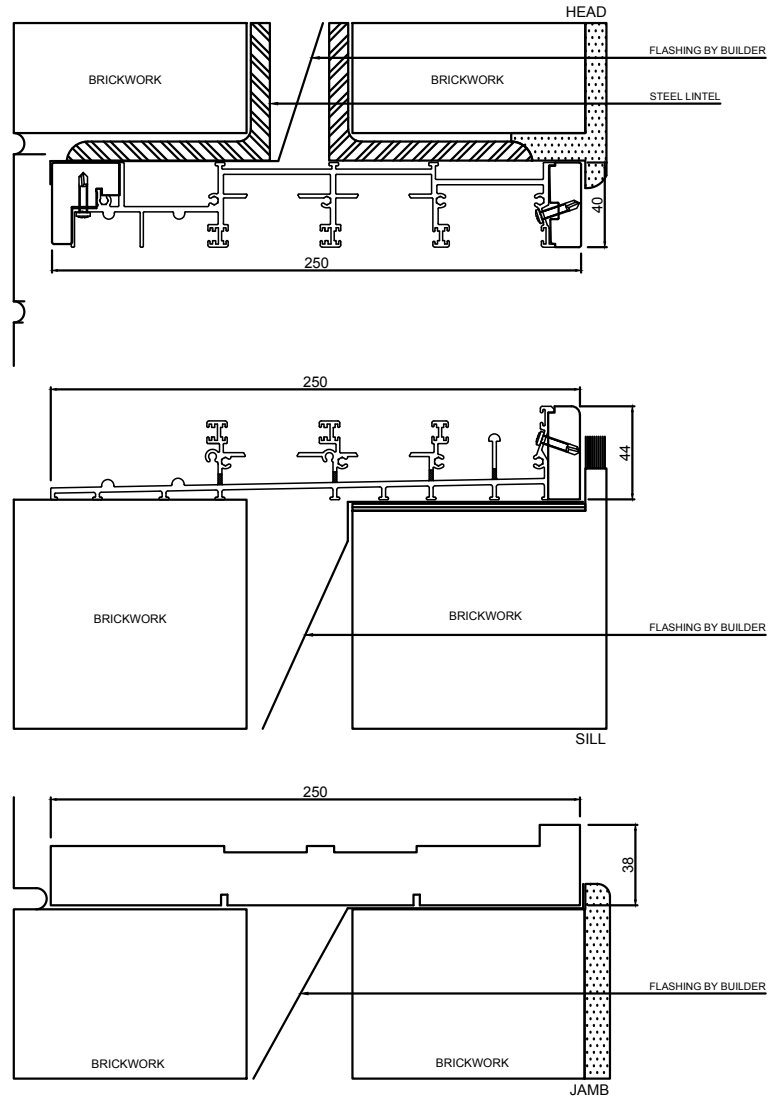
BOTANICA

PRODUCT

STACKING DOOR

CONFIGURATION

BUILDING IN DETAIL - DOUBLE BRICK



Notice
 This drawing is confidential. This drawing and its copyright are the property of or to Trend Windows & Doors and must not be used, disclosed or reproduced in any form whatsoever except as authorised in writing.
 This drawing must be returned with quotation and/or completion of job as applicable

Drawing Notice
 These are only a generic building in details to assist in the construction and installation of Trend Windows and Doors; please contact us for further information or enquiries.

Issue	Modification	Date
A	FIRST ISSUE	FEB 18

Date
08 02 2018
Revision
A
Drawn
P.G.



RANGE

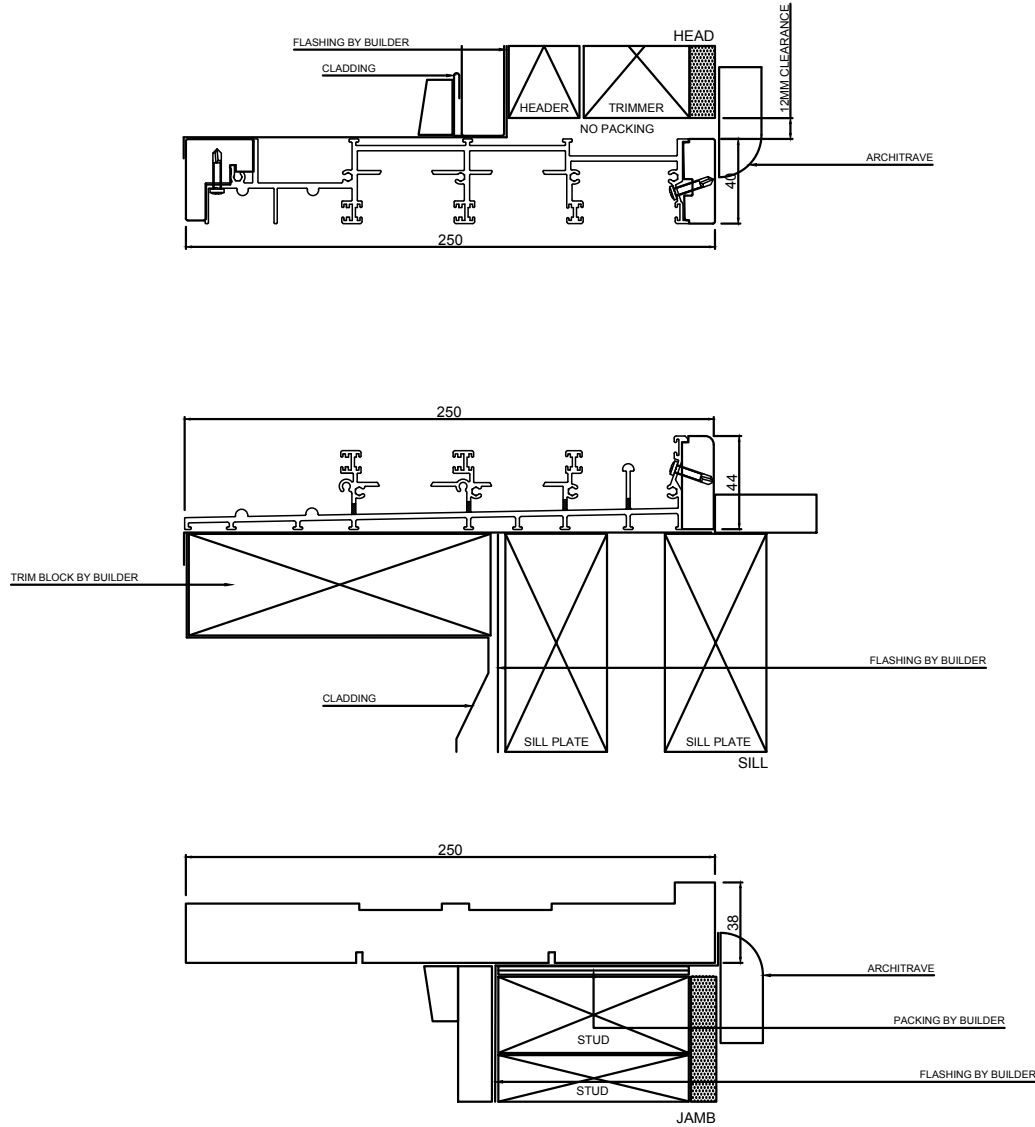
BOTANICA

PRODUCT

STACKING DOOR

CONFIGURATION

BUILDING IN DETAIL - CLADDING



Notice

This drawing is confidential. This drawing and its copyright are the property of or to Trend Windows & Doors and must not be used, disclosed or reproduced in any form whatsoever except as authorised in writing.

This drawing must be returned with quotation and/or completion of job as applicable

Drawing Notice

These are only a generic building in details to assist in the construction and installation of Trend Windows and Doors; please contact us for further information or enquiries.

Issue

A

Modification

FIRST ISSUE

Date

FEB 18

Date

08 02 2018

Revision

A

Drawn

P.G.

